

RIDUTTORI ORTOGONALI SERIE KX

Potenze da 0,092 a 30 KW
Rapporti di riduzione nominali da 6,07/1 a 209,22/1

STRATEGY - RIDUTTORI ORTOGONALI KX

MOTO-REDUCTORES Y REDUCTORES SERIE "KX"

DE ENGRANAJES HELICOIDALES
Y CÓNICO HELICOIDALES

GEARED MOTORS AND GEARED UNITS SERIE "KX"

BEVEL HELICAL GEAR UNITS

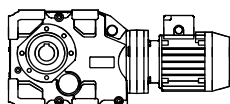
MOTORIDUTTORI E RIDUTTORI SERIE "KX"

CON INGRANAGGI ELICOIDALI E
CONICO ELICOIDALI

MOTOREDUCTORES E REDUCTORES SÉRIE "KX"

DE ENGRENAGENS HELICOIDAIS
E CÔNICOS HELICOIDAIS

INDICE INDEX INDICE INDEX



MOTO-REDUCTORES Serie "KXCM-KXCMF" MOTOR TRIFÁSICO INCORPORADO

Potencias desde 0.092 hasta 30 kW
Velocidades nominales en el eje de salida desde 3.2 hasta 233 1/min

GEARED-MOTORS Serie "KXCM-KXCMF" INCORPORATING THREEPHASE MOTORS

From 0.092 to 30 kW
Output shaft speeds from 3.2 to 233 1/min

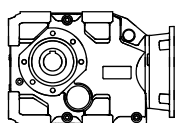
MOTORIDUTTORI Serie "KXCM-KXCMF" MOTORE TRIFÁSE INCORPORATO

Potenze da 0.092 a 30 kW
Velocità nominali all'albero di uscita da 3.2 a 233 1/min

MOTOREDUCTORES Série "KXCM-KXCMF" MOTOR TRIFÁSICO INCORPORADO

Potências de 0.092 a 30 kW
Velocidades nominais no eixo de saída de 3.2 a 233 1/min

4.1.1



REDUCTORES Serie "KXC"

PARA ACOPLAR DIRECTAMENTE A MOTORES CON BRIDA SEGÚN NORMA IEC-DIN 42677

Potencias desde 0.21 hasta 46 kW
Relaciones de reducción nominales desde 6.07/1 hasta 209.22/1

GEARED UNITS Serie "KXC"

TO COUPLE DIRECTLY TO MOTOR FLANGES ACCORDING TO DIN STANDARDS 42677

From 0.21 to 46 kW
Speed ratios from 6.07/1 to 209.22/1

RIDUTTORI Serie "KXC"

DA ACCOPIARE DIRETTAMENTE AI MOTORI CON FLANGIA SECONDO NORMA IEC-DIN 42677

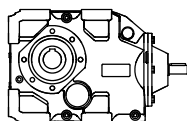
Potenze da 0.21 a 46 kW
Rapporti di riduzione nominali da 6.07/1 a 209.22/1

REDUTORES Série "KXC"

PARA ACOPLAR DIRETAMENTE A MOTORES COM FLANGES DE ACORDO COM NORMA IEC-DIN 42677

Potências de 0.21 a 46 kW
Taxas de reduções nominais de 6.07/1 a 209.22/1

4.2.1



REDUCTORES Serie "KX"

EJES LIBRES

Potencias desde 0.21 hasta 46 kW
Relaciones de reducción nominales desde 6.07/1 hasta 209.22/1

GEARED UNITS Serie "KX"

BARE SHAFT ENDS

From 0.21 to 46 kW
Speed ratios from 6.07/1 to 209.22/1

RIDUTTORI Serie "KX"

ALBERI DI INGRESSO NORMALI

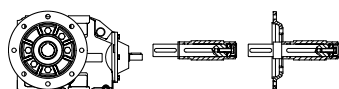
Potenze da 0.21 a 46 kW
Rapporti di riduzione nominali da 6.07/1 a 209.22/1

REDUTORES Série "KX"

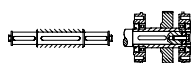
EIXOS MACIÇOS

Potências de 0.21 a 46 kW
Taxas de redução de 6.07/1 a 209.22/1

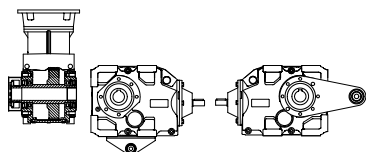
4.3.1



SUPLEMENTOS



SUPPLEMENTS



SUPPLEMENTI

SUPLEMENTOS

4.4.1

MOTO-REDUCTORES

Serie "KXCM-KXCMF"
Motor trifásico incorporado

GEARED MOTORS

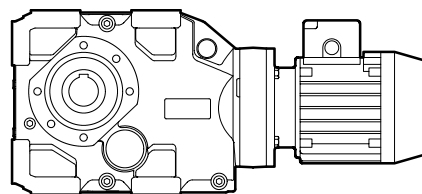
Serie "KXCM-KXCMF"
Threephase motor incorporated

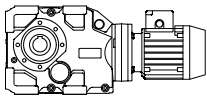
MOTORIDUTTORI

Serie "KXCM-KXCMF"
Motore trifase incorporato

MOTO-REDUTORES

Série "KXCM-KXCMF"
Motor trifásico incorporado





STRATEGY - RIDUTTORI ORTOGONALI KX

KXCM-KXCMF

PROGRAMA DE
FABRICACIÓN

MANUFACTURE
PROGRAMME

PROGRAMMA DI
FABBRICAZIONE

PROGRAMA DE
FABRICAÇÃO

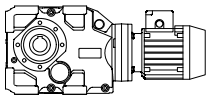
P [kW]	n ₂ [1/min]	M ₂ [Nm]	i _R	F _{Ra} [N]	f _b	Tipo Type Tipo Tipo	Código Ref. Codice Código	Intens. nominal Nominal intens. Tensione nominale Corrente nominal 400V(A)
0.092	4.5	184	153.78	16900	3.8	KXCM 403/71F5-8/4.5	3036254060	(0.6)
	5.1	162	135.19	16300	3.8	KXCM 403/71F5-8/5.1	3036252060	
	5.7	144	153.78	15800	5.1	KXCM 403/63G5-6/5.7	3036254025	(0.43)
	6.5	127	135.19	15300	5.1	KXCM 403/63G5-6/6.5	3036252025	
	7.4	112	118.97	14900	5.1	KXCM 403/63G5-6/7.4	3036250025	
	8.1	102	108.94	14600	5.1	KXCM 403/63G5-6/8.1	3036249025	
	8.9	93	98.75	14200	5.1	KXCM 403/63G5-6/8.9	3036248025	
	9.2	90	95.77	14100	5.1	KXCM 403/63G5-6/9.2	3036247025	
	10	79	84.28	13700	5.1	KXCM 403/63G5-6/10	3036244025	
	16	52	55.07	12300	5.1	KXCM 403/63G5-6/16	3036239025	
	4.5	184	153.78	15210	3.4	KXCM 353/71F5-8/4.5	3036154060	(0.6)
	5.1	162	135.19	14670	3.4	KXCM 353/71F5-8/5.1	3036152060	
	5.7	144	153.78	14220	4.6	KXCM 353/63G5-6/5.7	3036154025	(0.43)
	6.5	127	135.19	13770	4.6	KXCM 353/63G5-6/6.5	3036152025	
	7.4	112	118.97	13410	4.6	KXCM 353/63G5-6/7.4	3036150025	
	8.1	102	108.94	13140	4.6	KXCM 353/63G5-6/8.1	3036149025	
8.9	93	98.75	12780	4.6	KXCM 353/63G5-6/8.9	3036148025		
9.2	90	95.77	12690	4.6	KXCM 353/63G5-6/9.2	3036147025		
10	79	84.28	12330	4.6	KXCM 353/63G5-6/10	3036144025		
16	52	55.07	11070	4.6	KXCM 353/63G5-6/16	3036139025		
4.4	189	158.14	10900	1.1	KXCM 303/71F5-8/4.4	3036054060	(0.6)	
4.7	176	147.16	10700	1.1	KXCM 303/71F5-8/4.7	3036053060		
5.4	154	128.68	10500	1.1	KXCM 303/71F5-8/5.4	3036051060	(0.43)	
5.6	148	158.14	10400	1.5	KXCM 303/63G5-6/5.6	3036054025		
6	138	147.16	10200	1.5	KXCM 303/63G5-6/6	3036053025		
6.8	121	128.68	9950	1.5	KXCM 303/63G5-6/6.8	3036051025		
7.8	106	113.27	9700	2.8	KXCM 303/63G5-6/7.8	3036049025		
8.3	99	105.41	9550	2.8	KXCM 303/63G5-6/8.3	3036048025		
9.5	86	92.17	9300	2.8	KXCM 303/63G5-6/9.5	3036045025		
11	76	81.45	9000	2.8	KXCM 303/63G5-6/11	3036043025		
13	63	67.21	8700	3.6	KXCM 303/63G5-6/13	3036041025		
14	59	62.54	8550	3.6	KXCM 303/63G5-6/14	3036040025		
16	51	54.69	8250	3.6	KXCM 303/63G5-6/16	3036038025		
18	45	48.14	8050	6.4	KXCM 303/63G5-6/18	3036037025		
20	42	44.8	7900	6.4	KXCM 303/63G5-6/20	3036036025		
22	37	39.17	7650	6.4	KXCM 303/63G5-6/22	3036034025		
25	32	34.62	7400	6.4	KXCM 303/63G5-6/25	3036033025		
30	28	29.75	7150	8	KXCM 303/63G5-6/30	3036031025		
32	26	27.69	7000	8	KXCM 303/63G5-6/32	3036030025		
37	22	23.95	6800	11	KXCM 303/63G5-6/37	3036028025		
41	20	21.31	6600	14	KXCM 303/63G5-6/41	3036025025		
44	19	19.83	6450	14	KXCM 303/63G5-6/44	3036024025		
51	16	17.34	6250	14	KXCM 303/63G5-6/51	3036021025		
57	14	15.33	6050	14	KXCM 303/63G5-6/57	3036019025		

Todos los moto-reductores pueden suministrarse con motor freno (MF).
Los códigos indicados son del moto-reductor sin freno.

All geared motors can be supplied with brake motor (MF).
The indicated codes are for the geared motor without brake.

Tutti i moto riduttori possono essere consegnati con motore freno (MF).
I codici indicati sono del moto riduttore senza freno.

Todos os motoredutores podem ser fornecidos com freio (MF).
Os códigos indicados são dos motoredutores sem freio.



STRATEGY - RIDUTTORI ORTOGONALI KX

KXCM-KXCMF

PROGRAMA DE
FABRICACIÓN

MANUFACTURE
PROGRAMME

PROGRAMMA DI
FABBRICAZIONE

PROGRAMA DE
FABRICAÇÃO

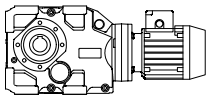
P [kW]	n₂ [1/min]	M₂ [Nm]	i_R	F_{Ra} [N]	f_b	Tipo Type Tipo Tipo	Código Ref. Codice Código	<i>Intens. nominal</i> <i>Nominal intens.</i> <i>Tensione nominale</i> <i>Corrente nominal</i> 400V(A)
0.092	64	13	13.66	5900	14	KXCM 303/63G5-6/64	3036018025	(0.43)
	72	12	12.26	5800	14	KXCM 303/63G5-6/72	3036016025	
	83	10	10.6	5650	16	KXCM 303/63G5-6/83	3036015025	
	89	9	9.87	5550	16	KXCM 303/63G5-6/89	3036014025	
	102	8	8.63	5400	16	KXCM 303/63G5-6/102	3036011025	
	115	7	7.62	5250	16	KXCM 303/63G5-6/115	3036008025	
	130	6	6.79	5150	16	KXCM 303/63G5-6/130	3036006025	
	144	6	6.1	5050	16	KXCM 303/63G5-6/144	3036005025	
0.122	4.4	248	153.78	14400	2.9	KXCM 403/71F7-8/4.4	3036254061	(0.64)
	5	218	135.19	14000	2.9	KXCM 403/71F7-8/5	3036252061	
	5.7	191	153.78	15600	3.8	KXCM 403/63G6-6/5.7	3036254026	(0.55)
	6.5	168	135.19	15100	3.8	KXCM 403/63G6-6/6.5	3036252026	
	7.4	148	118.97	14700	3.8	KXCM 403/63G6-6/7.4	3036250026	
	8.1	136	108.94	14400	3.8	KXCM 403/63G6-6/8.1	3036249026	
	8.8	124	153.78	14200	5.7	KXCM 403/63G5-4/8.8	3036254002	(0.52)
	10	109	135.19	13800	5.7	KXCM 403/63G5-4/10	3036252002	
	11	96	118.97	13300	5.7	KXCM 403/63G5-4/11	3036250002	
	12	88	108.94	13100	5.7	KXCM 403/63G5-4/12	3036249002	
	13.8	80	98.75	12800	5.7	KXCM 403/63G5-4/13.8	3036248002	
	14.2	77	95.77	12700	5.7	KXCM 403/63G5-4/14.2	3036247002	
	16	68	84.28	12300	5.7	KXCM 403/63G5-4/16	3036244002	
	25	44	55.07	11100	5.7	KXCM 403/63G5-4/25	3036239002	
	4.4	248	153.78	12960	2.6	KXCM 353/71F7-8/4.4	3036154061	(0.64)
	5	218	135.19	12600	2.6	KXCM 353/71F7-8/5	3036152061	
5.7	191	153.78	14040	3.4	KXCM 353/63G6-6/5.7	3036154026	(0.55)	
6.5	168	135.19	13590	3.4	KXCM 353/63G6-6/6.5	3036152026		
7.4	148	118.97	13230	3.4	KXCM 353/63G6-6/7.4	3036150026		
8.1	136	108.94	12960	3.4	KXCM 353/63G6-6/8.1	3036149026		
8.8	124	153.78	12780	5.2	KXCM 353/63G5-4/8.8	3036154002	(0.52)	
10	109	135.19	12420	5.2	KXCM 353/63G5-4/10	3036152002		
11	96	118.97	11970	5.2	KXCM 353/63G5-4/11	3036150002		
12	88	108.94	11790	5.2	KXCM 353/63G5-4/12	3036149002		
13.8	80	98.75	11520	5.2	KXCM 353/63G5-4/13.8	3036148002		
14.2	77	95.77	11430	5.2	KXCM 353/63G5-4/14.2	3036147002		
16	68	84.28	11070	5.2	KXCM 353/63G5-4/16	3036144002		
25	44	55.07	9990	5.2	KXCM 353/63G5-4/25	3036139002		
4.3	255	158.14	9400	0.86	KXCM 303/71F7-8/4.3	3036054061	(0.64)	
4.6	237	147.16	9300	0.86	KXCM 303/71F7-8/4.6	3036053061		
5.3	207	128.68	9000	0.86	KXCM 303/71F7-8/5.3	3036051061		
5.6	197	158.14	10000	1.1	KXCM 303/63G6-6/5.6	3036054026	(0.55)	
6	183	147.16	9900	1.1	KXCM 303/63G6-6/6	3036053026		
6.8	160	128.68	9600	1.1	KXCM 303/63G6-6/6.8	3036051026		

Todos los moto-reductores pueden suministrarse con motor freno (MF). Los códigos indicados son del moto-reductor sin freno.

All geared motors can be supplied with brake motor (MF). The indicated codes are for the geared motor without brake.

Tutti i moto riduttori possono essere consegnati con motore freno (MF). I codici indicati sono del moto riduttore senza freno.

Todos os motoredutores podem ser fornecidos com freio (MF). Os códigos indicados são dos motoredutores sem freio.



STRATEGY - RIDUTTORI ORTOGONALI KX

KXCM-KXCMF

PROGRAMA DE
FABRICACIÓN

MANUFACTURE
PROGRAMME

PROGRAMMA DI
FABBRICAZIONE

PROGRAMA DE
FABRICAÇÃO

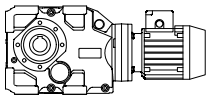
P [kW]	n ₂ [1/min]	M ₂ [Nm]	i _R	F _{Ra} [N]	f _b	Tipo Type Tipo Tipo	Código Ref. Codice Código	Intens. nominal Nominal intens. Tensione nominale Corrente nominal 400V(A)
0.122	7.8	141	113.27	9450	2.1	KXCM 303/63G6-6/7.8	3036049026	(0.55)
	8.6	127	158.14	9300	1.7	KXCM 303/63G5-4/8.6	3036054002	(0.52)
	9.2	118	147.16	9200	1.7	KXCM 303/63G5-4/9.2	3036053002	
	11	104	128.68	8950	1.7	KXCM 303/63G5-4/11	3036051002	
	12	91	113.27	8700	3.2	KXCM 303/63G5-4/12	3036049002	
	13	85	105.41	8600	3.2	KXCM 303/63G5-4/13	3036048002	
	15	74	92.17	8350	3.2	KXCM 303/63G5-4/15	3036045002	
	17	66	81.45	8100	3.2	KXCM 303/63G5-4/17	3036043002	
	20	54	67.21	7800	4.1	KXCM 303/63G5-4/20	3036041002	
	22	50	62.54	7650	4.1	KXCM 303/63G5-4/22	3036040002	
	25	44	54.69	7400	4.1	KXCM 303/63G5-4/25	3036038002	
	28	39	48.14	7200	7.3	KXCM 303/63G5-4/28	3036037002	
	30	36	44.8	7100	7.3	KXCM 303/63G5-4/30	3036036002	
	35	32	39.17	6850	7.3	KXCM 303/63G5-4/35	3036034002	
	39	28	34.62	6650	7.3	KXCM 303/63G5-4/39	3036033002	
	46	24	29.75	6450	9	KXCM 303/63G5-4/46	3036031002	
	49	22	27.69	6300	9	KXCM 303/63G5-4/49	3036030002	
	57	19	23.95	6100	13	KXCM 303/63G5-4/57	3036028002	
	64	17	21.31	5950	16	KXCM 303/63G5-4/64	3036025002	
	69	16	19.83	5850	16	KXCM 303/63G5-4/69	3036024002	
	78	14	17.34	5700	16	KXCM 303/63G5-4/78	3036021002	
	89	12	15.33	5560	16	KXCM 303/63G5-4/89	3036019002	
	100	11	13.66	5450	16	KXCM 303/63G5-4/100	3036018002	
111	10	12.26	5300	16	KXCM 303/63G5-4/111	3036016002		
128	9	10.6	5200	18	KXCM 303/63G5-4/128	3036015002		
138	8	9.87	5100	18	KXCM 303/63G5-4/138	3036014002		
158	7	8.63	4950	18	KXCM 303/63G5-4/158	3036011002		
178	6	7.62	4850	18	KXCM 303/63G5-4/178	3036008002		
200	5	6.79	4750	18	KXCM 303/63G5-4/200	3036006002		
223	5	6.1	4700	18	KXCM 303/63G5-4/223	3036005002		
0.18	4.4	371	153.78	15800	1.9	KXCM 403/80K-8/4.4	3036254018	(0.9)
	5	326	135.19	15500	1.9	KXCM 403/80K-8/5	3036252018	
	5.7	282	153.78	15100	2.4	KXCM 403/71F5-6/5.7	3036254027	(0.8)
	6.5	248	135.19	14700	2.4	KXCM 403/71F5-6/6.5	3036252027	
	7.4	218	118.97	14300	2.4	KXCM 403/71F5-6/7.4	3036250027	
	8.1	200	108.94	14100	2.4	KXCM 403/71F5-6/8.1	3036249027	
	8.6	187	153.78	13900	3.9	KXCM 403/63G6-4/8.6	3036254003	(0.64)
	9.8	164	135.19	13500	3.9	KXCM 403/63G6-4/9.8	3036252003	
	11	145	118.97	13100	3.9	KXCM 403/63G6-4/11	3036250003	
	12	132	108.94	12900	3.9	KXCM 403/63G6-4/12	3036249003	
	13	120	98.75	12500	3.9	KXCM 403/63G6-4/13	3036248003	
	14	116	95.77	12500	3.9	KXCM 403/63G6-4/14	3036247003	
	16	102	84.28	12100	3.9	KXCM 403/63G6-4/16	3036244003	
24	67	55.07	10900	3.9	KXCM 403/63G6-4/24	3036239003		

Todos los moto-reductores pueden suministrarse con motor freno (MF).
Los códigos indicados son del moto-reductor sin freno.

All geared motors can be supplied with brake motor (MF).
The indicated codes are for the geared motor without brake.

Tutti i moto riduttori possono essere consegnati con motore freno (MF).
I codici indicati sono del moto riduttore senza freno.

Todos os motoredutores podem ser fornecidos com freio (MF).
Os códigos indicados são dos motoredutores sem freio.



STRATEGY - RIDUTTORI ORTOGONALI KX

KXCM-KXCMF

PROGRAMA DE
FABRICACIÓN

MANUFACTURE
PROGRAMME

PROGRAMMA DI
FABBRICAZIONE

PROGRAMA DE
FABRICAÇÃO

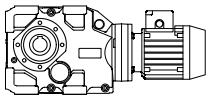
P [kW]	n ₂ [1/min]	M ₂ [Nm]	i _R	F _{Ra} [N]	f _b	Tipo Type Tipo Tipo	Código Ref. Codice Código	Intens. nominal Nominal intens. Tensione nominale Corrente nominal 400V(A)
0.18	4.4	371	153.78	14220	1.8	KXCM 353/80K-8/4.4	3036154062	(0.9)
	5	326	135.19	13950	1.8	KXCM 353/80K-8/5	3036152062	
	5.7	282	153.78	13590	2.1	KXCM 353/71F5-6/5.7	3036154027	(0.8)
	6.5	248	135.19	13230	2.1	KXCM 353/71F5-6/6.5	3036152027	
	7.4	218	118.97	12870	2.1	KXCM 353/71F5-6/7.4	3036150027	
	8.1	200	108.94	12690	2.1	KXCM 353/71F5-6/8.1	3036149027	
	8.6	187	153.78	12510	3.5	KXCM 353/63G6-4/8.6	3036154003	(0.64)
	9.8	164	135.19	12150	3.5	KXCM 353/63G6-4/9.8	3036152003	
	11	145	118.97	11790	3.5	KXCM 353/63G6-4/11	3036150003	
	12	132	108.94	11610	3.5	KXCM 353/63G6-4/12	3036149003	
13	120	98.75	11250	3.5	KXCM 353/63G6-4/13	3036148003		
14	116	95.77	11250	3.5	KXCM 353/63G6-4/14	3036147003		
16	102	84.28	10890	3.5	KXCM 353/63G6-4/16	3036144003		
24	67	55.07	9810	3.5	KXCM 353/63G6-4/24	3036139003		
5.6	290	158.14	9250	0.78	KXCM 303/71F5-6/5.6	3036054027	(0.8)	
6	270	147.16	9150	0.78	KXCM 303/71F5-6/6	3036053027		
6.8	236	128.68	9000	0.78	KXCM 303/71F5-6/6.8	3036051027		
7.8	208	113.27	8900	1.4	KXCM 303/71F5-6/7.8	3036049027		
8.4	192	158.14	8800	1.2	KXCM 303/63G6-4/8.4	3036054003	(0.64)	
9	179	147.16	8700	1.2	KXCM 303/63G6-4/9	3036053003		
10	156	128.68	8500	1.2	KXCM 303/63G6-4/10	3036051003		
12	138	113.27	8300	2.2	KXCM 303/63G6-4/12	3036049003		
13	128	105.41	8250	2.2	KXCM 303/63G6-4/13	3036048003		
14	112	92.17	8050	2.2	KXCM 303/63G6-4/14	3036045003		
16	99	81.45	7850	2.2	KXCM 303/63G6-4/16	3036043003		
20	82	67.21	7600	2.8	KXCM 303/63G6-4/20	3036041003		
21	76	62.54	7450	2.8	KXCM 303/63G6-4/21	3036040003		
24	66	54.69	7250	2.8	KXCM 303/63G6-4/24	3036038003		
28	58	48.14	7050	4.9	KXCM 303/63G6-4/28	3036037003		
30	54	44.8	6950	4.9	KXCM 303/63G6-4/30	3036036003		
34	48	39.17	6750	4.9	KXCM 303/63G6-4/34	3036034003		
38	42	34.62	6550	4.9	KXCM 303/63G6-4/38	3036033003		
45	36	29.75	6350	6.1	KXCM 303/63G6-4/45	3036031003		
48	34	27.69	6200	6.1	KXCM 303/63G6-4/48	3036030003		
56	29	23.95	6000	8.8	KXCM 303/63G6-4/56	3036028003		
62	26	21.31	5850	11	KXCM 303/63G6-4/62	3036025003		
67	24	19.83	5800	11	KXCM 303/63G6-4/67	3036024003		
77	21	17.34	5650	11	KXCM 303/63G6-4/77	3036021003		
87	19	15.33	5500	11	KXCM 303/63G6-4/87	3036019003		
97	17	13.66	5400	11	KXCM 303/63G6-4/97	3036018003		
108	15	12.26	5300	11	KXCM 303/63G6-4/108	3036016003		
125	13	10.6	5150	12	KXCM 303/63G6-4/125	3036015003		

Todos los moto-reductores pueden suministrarse con motor freno (MF). Los códigos indicados son del moto-reductor sin freno.

All geared motors can be supplied with brake motor (MF). The indicated codes are for the geared motor without brake.

Tutti i moto riduttori possono essere consegnati con motore freno (MF). I codici indicati sono del moto riduttore senza freno.

Todos os motoredutores podem ser fornecidos com freio (MF). Os códigos indicados são dos motoredutores sem freio.



STRATEGY - RIDUTTORI ORTOGONALI KX

KXCM-KXCMF

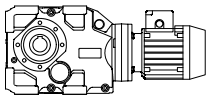
PROGRAMA DE FABRICACIÓN		MANUFACTURE PROGRAMME				PROGRAMMA DI FABBRICAZIONE		PROGRAMA DE FABRICAÇÃO	
P [kW]	n ₂ [1/min]	M ₂ [Nm]	i _R	F _{Ra} [N]	f _b	Tipo Type Tipo Tipo	Código Ref. Codice Código	Intens. nominal Nominal intens. Tensione nominale Corrente nominal 400V(A)	
0.18	135	12	9.87	5050	12	KXCM 303/63G6-4/135	3036014003	(0.64)	
	154	10	8.63	4950	12	KXCM 303/63G6-4/154	3036011003		
	175	9	7.62	4800	12	KXCM 303/63G6-4/175	3036008003		
	196	8	6.79	4750	12	KXCM 303/63G6-4/196	3036006003		
	218	7	6.1	4650	12	KXCM 303/63G6-4/218	3036005003		
0.25	3.2	696	209.22	23800	2.2	KXCM 503/80N-8/3.2	3036358050	(1)	
	3.7	599	180.27	23100	2.2	KXCM 503/80N-8/3.7	3036357050		
	4.2	540	209.22	22600	3	KXCM 503/71F7-6/4.2	3036358028	(0.95)	
	4.8	465	180.27	21900	3	KXCM 503/71F7-6/4.8	3036357028		
	5.7	395	153	21300	3.8	KXCM 503/71F7-6/5.7	3036354028		
	5.9	381	147.69	21000	3	KXCM 503/71F7-6/5.9	3036353028		
	6.5	348	209.22	20900	4.4	KXCM 503/71K-4/6.5	3036358004	(0.85)	
	7.5	300	180.27	20200	4.4	KXCM 503/71K-4/7.5	3036357004		
	8.8	254	153	19500	5.7	KXCM 503/71K-4/8.8	3036354004		
	9.1	246	147.69	19300	4.4	KXCM 503/71K-4/9.1	3036353004		
	10	219	131.82	18900	5.7	KXCM 503/71K-4/10	3036352004		
	11	204	123	18600	5.7	KXCM 503/71K-4/11	3036351004		
	12	182	109.28	18100	5.7	KXCM 503/71K-4/12	3036349004		
	14	157	94.16	17500	5.7	KXCM 503/71K-4/14	3036346004		
	15	146	87.85	17200	5.7	KXCM 503/71K-4/15	3036345004		
	18	128	77.14	16600	5.7	KXCM 503/71K-4/18	3036343004		
	3.2	696	209.22	21420	2	KXCM 453/80N-8/3.2	3036758050	(1)	
	3.7	599	180.27	20790	2	KXCM 453/80N-8/3.7	3036757050		
	4.2	540	209.22	20340	2.7	KXCM 453/71F7-6/4.2	3036758028	(0.95)	
	4.8	465	180.27	19710	2.7	KXCM 453/71F7-6/4.8	3036757028		
5.7	395	153	19170	3.4	KXCM 453/71F7-6/5.7	3036754028			
5.9	381	147.69	18900	2.7	KXCM 453/71F7-6/5.9	3036753028			
6.5	348	209.22	18810	4	KXCM 453/71K-4/6.5	3036758004	(0.85)		
7.5	300	180.27	18180	4	KXCM 453/71K-4/7.5	3036757004			
8.8	254	153	17550	5.1	KXCM 453/71K-4/8.8	3036754004			
9.1	246	147.69	17370	4	KXCM 453/71K-4/9.1	3036753004			
10	219	131.82	17010	5.1	KXCM 453/71K-4/10	3036752004			
11	204	123	16740	5.1	KXCM 453/71K-4/11	3036751004			
12	182	109.28	16290	5.1	KXCM 453/71K-4/12	3036749004			
14	157	94.16	15750	5.1	KXCM 453/71K-4/14	3036746004			
15	146	87.85	15480	5.1	KXCM 453/71K-4/15	3036745004			
18	128	77.14	14940	5.1	KXCM 453/71K-4/18	3036743004			
4.4	511	153.78	15100	1.3	KXCM 403/80N-8/4.4	3036254050	(1)		
5	449	135.19	14800	1.3	KXCM 403/80N-8/5	3036252050			

Todos los moto-reductores pueden suministrarse con motor freno (MF).
Los códigos indicados son del moto-reductor sin freno.

All geared motors can be supplied with brake motor (MF).
The indicated codes are for the geared motor without brake.

Tutti i moto riduttori possono essere consegnati con motore freno (MF).
I codici indicati sono del moto riduttore senza freno.

Todos os motoredutores podem ser fornecidos com freio (MF).
Os códigos indicados são dos motoredutores sem freio.



STRATEGY - RIDUTTORI ORTOGONALI KX

KXCM-KXCMF

PROGRAMA DE
FABRICACIÓN

MANUFACTURE
PROGRAMME

PROGRAMMA DI
FABBRICAZIONE

PROGRAMA DE
FABRICAÇÃO

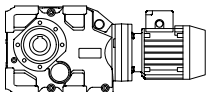
P [kW]	n ₂ [1/min]	M ₂ [Nm]	i _R	F _{Ra} [N]	f _b	Tipo Type Tipo Tipo	Código Ref. Codice Código	Intens. nominal Nominal intens. Tensione nominale Corrente nominal 400V(A)
0.25	5.7	397	153.78	14500	1.7	KXCM 403/71F7-6/5.7	3036254028	(0.95)
	6.4	349	135.19	14100	1.7	KXCM 403/71F7-6/6.4	3036252028	
	7.3	307	118.97	13800	1.7	KXCM 403/71F7-6/7.3	3036250028	
	8	281	108.94	13600	1.7	KXCM 403/71F7-6/8	3036249028	
	8.8	256	153.78	13500	2.6	KXCM 403/71K-4/8.8	3036254004	(0.85)
	10	225	135.19	13100	2.6	KXCM 403/71K-4/10	3036252004	
	11	198	118.97	12800	2.6	KXCM 403/71K-4/11	3036250004	
	12	181	108.94	12600	2.6	KXCM 403/71K-4/12	3036249004	
	13.7	164	98.75	12300	2.6	KXCM 403/71K-4/13.7	3036248004	
	14.1	159	95.77	12200	2.6	KXCM 403/71K-4/14.1	3036247004	
	16	140	84.28	11900	2.6	KXCM 403/71K-4/16	3036244004	
	25	92	55.07	10800	2.6	KXCM 403/71K-4/25	3036239004	
	4.4	511	153.78	13590	1.2	KXCM 353/80N-8/4.4	3036154050	(1)
	5	449	135.19	13320	1.2	KXCM 353/80N-8/5	3036152050	
	5.7	397	153.78	13050	1.5	KXCM 353/71F7-6/5.7	3036154028	(0.95)
	6.4	349	135.19	12690	1.5	KXCM 353/71F7-6/6.4	3036152028	
7.3	307	118.97	12420	1.5	KXCM 353/71F7-6/7.3	3036150028		
8	281	108.94	12240	1.5	KXCM 353/71F7-6/8	3036149028		
8.8	256	153.78	12150	2.3	KXCM 353/71K-4/8.8	3036154004	(0.85)	
10	225	135.19	11790	2.3	KXCM 353/71K-4/10	3036152004		
11	198	118.97	11520	2.3	KXCM 353/71K-4/11	3036150004		
12	181	108.94	11340	2.3	KXCM 353/71K-4/12	3036149004		
13.7	164	98.75	11070	2.3	KXCM 353/71K-4/13.7	3036148004		
14.1	159	95.77	10980	2.3	KXCM 353/71K-4/14.1	3036147004		
16	140	84.28	10710	2.3	KXCM 353/71K-4/16	3036144004		
25	92	55.07	9720	2.3	KXCM 353/71K-4/25	3036139004		
7.7	292	113.27	8300	1	KXCM 303/71F7-6/7.7	3036049028	(0.95)	
8.3	272	105.41	8200	1	KXCM 303/71F7-6/8.3	3036048028		
9.4	238	92.17	8100	1	KXCM 303/71F7-6/9.4	3036048028		
11	210	81.45	7950	1	KXCM 303/71F7-6/11	3036048028		
8.5	263	158.14	8250	0.84	KXCM 303/71K-4/8.5	3036054004	(0.85)	
9.2	245	147.16	8150	0.84	KXCM 303/71K-4/9.2	3036053004		
10	214	128.68	8000	0.84	KXCM 303/71K-4/10	3036051004		
12	188	113.27	7950	1.6	KXCM 303/71K-4/12	3036049004		
13	175	105.41	7850	1.6	KXCM 303/71K-4/13	3036048004		
15	153	92.17	7700	1.6	KXCM 303/71K-4/15	3036045004		
17	135	81.45	7500	1.6	KXCM 303/71K-4/17	3036043004		
20	112	67.21	7350	2	KXCM 303/71K-4/20	3036041004		
22	104	62.54	7250	2	KXCM 303/71K-4/22	3036040004		
25	91	54.69	7050	2	KXCM 303/71K-4/25	3036038004		
28	80	48.14	6900	3.6	KXCM 303/71K-4/28	3036037004		
30	74	44.8	6800	3.6	KXCM 303/71K-4/30	3036036004		
34	65	39.17	6600	3.6	KXCM 303/71K-4/34	3036034004		

Todos los moto-reductores pueden suministrarse con motor freno (MF).
Los códigos indicados son del moto-reductor sin freno.

All geared motors can be supplied with brake motor (MF).
The indicated codes are for the geared motor without brake.

Tutti i moto riduttori possono essere consegnati con motore freno (MF).
I codici indicati sono del moto riduttore senza freno.

Todos os motoredutores podem ser fornecidos com freio (MF).
Os códigos indicados são dos motoredutores sem freio.



STRATEGY - RIDUTTORI ORTOGONALI KX

KXCM-KXCMF

PROGRAMA DE
FABRICACIÓN

MANUFACTURE
PROGRAMME

PROGRAMMA DI
FABBRICAZIONE

PROGRAMA DE
FABRICAÇÃO

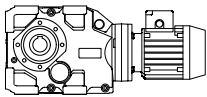
P [kW]	n₂ [1/min]	M₂ [Nm]	i_R	F_{Ra} [N]	f_b	Tipo Type Tipo Tipo	Código Ref. Codice Código	<i>Intens. nominal</i> <i>Nominal intens.</i> <i>Tensione nominale</i> <i>Corrente nominal</i> 400V(A)
0.25	39	58	34.62	6400	3.6	KXCM 303/71K-4/39	3036033004	(0.85)
	45	49	29.75	6200	4.4	KXCM 303/71K-4/45	3036031004	
	49	46	27.69	6100	4.4	KXCM 303/71K-4/49	3036030004	
	56	40	23.95	5950	6.3	KXCM 303/71K-4/56	3036028004	
	63	35	21.31	5800	7.9	KXCM 303/71K-4/63	3036025004	
	68	33	19.83	5700	7.9	KXCM 303/71K-4/68	3036024004	
	78	29	17.34	5550	7.9	KXCM 303/71K-4/78	3036021004	
	88	25	15.33	5450	7.9	KXCM 303/71K-4/88	3036019004	
	99	23	13.66	5350	7.9	KXCM 303/71K-4/99	3036018004	
	110	20	12.26	5250	7.9	KXCM 303/71K-4/110	3036016004	
	127	18	10.6	5100	8.4	KXCM 303/71K-4/127	3036015004	
	137	16	9.87	5050	8.4	KXCM 303/71K-4/137	3036014004	
156	14	8.63	4900	8.4	KXCM 303/71K-4/156	3036011004		
177	13	7.62	4800	8.4	KXCM 303/71K-4/177	3036008004		
199	11	6.79	4700	8.4	KXCM 303/71K-4/199	3036006004		
221	10	6.1	4650	8.4	KXCM 303/71K-4/221	3036005004		
0.37	4	838	172.79	28800	3.4	KXCM 603/90S-8/4	3036456051	(1.4)
	4.3	780	160.83	28400	3.4	KXCM 603/90S-8/4.3	3036455051	
	5	670	138.16	27600	4.2	KXCM 603/90S-8/5	3036452051	
	5.1	652	172.79	27300	4.5	KXCM 603/80K-6/5.1	3036456029	(1.2)
	5.5	607	160.83	26900	4.5	KXCM 603/80K-6/5.5	3036455029	
	6.4	521	138.16	26000	5.6	KXCM 603/80K-6/6.4	3036452029	
	6.8	485	128.6	25600	6.1	KXCM 603/80K-6/6.8	3036451029	
	7.8	425	112.51	24900	6.1	KXCM 603/80K-6/7.8	3036450029	
	8.9	375	99.4	24200	6.1	KXCM 603/80K-6/8.9	3036447029	
	9.5	349	92.53	23800	6.1	KXCM 603/80K-6/9.5	3036446029	
	11	306	80.95	23100	6.1	KXCM 603/80K-6/11	3036444029	
	4	838	172.79	25920	3	KXCM 553/90S-8/4	3036856051	(1.4)
4.3	780	160.83	25560	3	KXCM 553/90S-8/4.3	3036855051		
5	670	138.16	24840	3.8	KXCM 553/90S-8/5	3036852051		
5.1	652	172.79	24570	4	KXCM 553/80K-6/5.1	3036856029	(1.2)	
5.5	607	160.83	24210	4	KXCM 553/80K-6/5.5	3036855029		
6.4	521	138.16	23400	5.1	KXCM 553/80K-6/6.4	3036852029		
6.8	485	128.6	23040	5.5	KXCM 553/80K-6/6.8	3036851029		
7.8	425	112.51	22410	5.5	KXCM 553/80K-6/7.8	3036850029		
8.9	375	99.4	21780	5.5	KXCM 553/80K-6/8.9	3036847029		
9.5	349	92.53	21420	5.5	KXCM 553/80K-6/9.5	3036846029		
11	306	80.95	20790	5.5	KXCM 553/80K-6/11	3036844029		
3.3	1014	209.22	22200	1.5	KXCM 503/90S-8/3.3	3036358051	(1.4)	
3.8	874	180.27	21700	1.5	KXCM 503/90S-8/3.8	3036357051		
4.2	790	209.22	21400	2	KXCM 503/80K-6/4.2	3036358029	(1.2)	
4.9	680	180.27	20900	2	KXCM 503/80K-6/4.9	3036357029		
5.8	577	153	20400	2.6	KXCM 503/80K-6/5.8	3036354029		
6	557	147.69	20100	2	KXCM 503/80K-6/6	3036353029		

Todos los moto-reductores pueden suministrarse con motor freno (MF).
Los códigos indicados son del moto-reductor sin freno.

All geared motors can be supplied with brake motor (MF).
The indicated codes are for the geared motor without brake.

Tutti i moto riduttori possono essere consegnati con motore freno (MF).
I codici indicati sono del moto riduttore senza freno.

Todos os motoredutores podem ser fornecidos com freio (MF).
Os códigos indicados são dos motoredutores sem freio.



STRATEGY - RIDUTTORI ORTOGONALI KX

KXCM-KXCMF

PROGRAMA DE
FABRICACIÓN

MANUFACTURE
PROGRAMME

PROGRAMMA DI
FABBRICAZIONE

PROGRAMA DE
FABRICAÇÃO

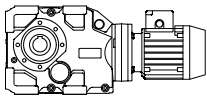
P [kW]	n ₂ [1/min]	M ₂ [Nm]	i _R	F _{Ra} [N]	f _b	Tipo Type Tipo Tipo	Código Ref. Codice Código	Intens. nominal Nominal intens. Tensione nominale Corrente nominal 400V(A)	
0.37	6.5	507	209.22	20100	3	KXCM 503/71N-4/6.5	3036358005	(1.25)	
	7.6	437	180.27	19500	3	KXCM 503/71N-4/7.6	3036357005		
	9	371	153	18900	3.8	KXCM 503/71N-4/9	3036354005		
	9.3	358	147.69	18700	3	KXCM 503/71N-4/9.3	3036353005		
	10	320	131.82	18300	3.8	KXCM 503/71N-4/10	3036352005		
	11	298	123	18100	3.8	KXCM 503/71N-4/11	3036351005		
	13	265	109.28	17700	3.8	KXCM 503/71N-4/13	3036349005		
	15	228	94.16	17100	3.8	KXCM 503/71N-4/15	3036346005		
	16	213	87.85	16800	3.8	KXCM 503/71N-4/16	3036345005		
	18	187	77.14	16300	3.8	KXCM 503/71N-4/18	3036343005		
	3.3	1014	209.22	19980	1.4	KXCM 453/90S-8/3.3	3036758051		(1.4)
	3.8	874	180.27	19530	1.4	KXCM 453/90S-8/3.8	3036757051		
	4.2	790	209.22	19260	1.8	KXCM 453/80K-6/4.2	3036758029		(1.2)
	4.9	680	180.27	18810	1.8	KXCM 453/80K-6/4.9	3036757029		
	5.8	577	153	18360	2.3	KXCM 453/80K-6/5.8	3036754029		
	6	557	147.69	18090	1.8	KXCM 453/80K-6/6	3036753029		
	6.5	507	209.22	18090	2.7	KXCM 453/71N-4/6.5	3036758005		(1.25)
	7.6	437	180.27	17550	2.7	KXCM 453/71N-4/7.6	3036757005		
9	371	153	17010	3.5	KXCM 453/71N-4/9	3036754005			
9.3	358	147.69	16830	2.7	KXCM 453/71N-4/9.3	3036753005			
10	320	131.82	16470	3.5	KXCM 453/71N-4/10	3036752005			
11	298	123	16290	3.5	KXCM 453/71N-4/11	3036751005			
13	265	109.28	15930	3.5	KXCM 453/71N-4/13	3036749005			
15	228	94.16	15390	3.5	KXCM 453/71N-4/15	3036746005			
16	213	87.85	15120	3.5	KXCM 453/71N-4/16	3036745005			
18	187	77.14	14670	3.5	KXCM 453/71N-4/18	3036743005			
4.5	746	153.78	13800	0.86	KXCM 403/90S-8/4.5	3036254051	(1.4)		
5.1	655	135.19	13600	0.86	KXCM 403/90S-8/5.1	3036252051			
5.7	580	153.78	13500	1.6	KXCM 403/80K-6/5.7	3036254029	(1.2)		
6.5	510	135.19	13200	1.6	KXCM 403/80K-6/6.5	3036252029			
7.4	449	118.97	13000	1.6	KXCM 403/80K-6/7.4	3036250029			
8.1	411	108.94	12900	2.4	KXCM 403/80K-6/8.1	3036249029			
8.9	373	153.78	12800	1.7	KXCM 403/71N-4/8.9	3036254005	(1.25)		
10	328	135.19	12500	1.7	KXCM 403/71N-4/10	3036252005			
12	288	118.97	12200	1.7	KXCM 403/71N-4/12	3036250005			
13	264	108.94	12100	1.7	KXCM 403/71N-4/13	3036249005			
13.9	239	98.75	11800	1.7	KXCM 403/71N-4/13.9	3036248005			
14.3	232	95.77	11800	1.7	KXCM 403/71N-4/14.3	3036247005			
16	204	84.28	11500	1.7	KXCM 403/71N-4/16	3036244005			
25	134	55.07	10600	1.7	KXCM 403/71N-4/25	3036239005			
4.5	746	153.78	12420	0.78	KXCM 353/90S-8/4.5	3036154051	(1.4)		
5.1	655	135.19	12240	0.78	KXCM 353/90S-8/5.1	3036152051			

Todos los moto-reductores pueden suministrarse con motor freno (MF). Los códigos indicados son del moto-reductor sin freno.

All geared motors can be supplied with brake motor (MF). The indicated codes are for the geared motor without brake.

Tutti i moto riduttori possono essere consegnati con motore freno (MF). I codici indicati sono del moto riduttore senza freno.

Todos os motoredutores podem ser fornecidos com freio (MF). Os códigos indicados são dos motoredutores sem freio.



STRATEGY - RIDUTTORI ORTOGONALI KX

KXCM-KXCMF

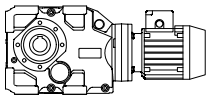
PROGRAMA DE FABRICACIÓN		MANUFACTURE PROGRAMME				PROGRAMMA DI FABBRICAZIONE		PROGRAMA DE FABRICAÇÃO	
P [kW]	n ₂ [1/min]	M ₂ [Nm]	i _R	F _{Ra} [N]	f _b	Tipo Type Tipo Tipo	Código Ref. Codice Código	Intens. nominal Nominal intens. Tensione nominale Corrente nominal 400V(A)	
0.37	5.7	580	153.78	12150	1.5	KXCM 353/80K-6/5.7	3036154029	(1.2)	
	6.5	510	135.19	11880	1.5	KXCM 353/80K-6/6.5	3036152029		
	7.4	449	118.97	11700	1.5	KXCM 353/80K-6/7.4	3036150029		
	8.1	411	108.94	11610	2.2	KXCM 353/80K-6/8.1	3036149029		
	8.9	373	153.78	11520	1.6	KXCM 353/71N-4/8.9	3036154005	(1.25)	
	10	328	135.19	11250	1.6	KXCM 353/71N-4/10	3036152005		
	12	288	118.97	10980	1.6	KXCM 353/71N-4/12	3036150005		
	13	264	108.94	10890	1.6	KXCM 353/71N-4/13	3036149005		
	13.9	239	98.75	10620	1.6	KXCM 353/71N-4/13.9	3036148005		
	14.3	232	95.77	10620	1.6	KXCM 353/71N-4/14.3	3036147005		
	16	204	84.28	10350	1.6	KXCM 353/71N-4/16	3036144005		
	25	134	55.07	9540	1.6	KXCM 353/71N-4/25	3036139005		
	10	326	67.21	7200	0.68	KXCM 303/90S-8/10	3036041050	(1.4)	
	11	303	62.54	7200	0.68	KXCM 303/90S-8/11	3036040050		
	12	275	113.27	7100	1.1	KXCM 303/71N-4/12	3036049005	(1.25)	
	13	256	105.41	7200	1.1	KXCM 303/71N-4/13	3036048005		
15	223	92.17	7100	1.1	KXCM 303/71N-4/15	3036045005			
17	197	81.45	7000	1.1	KXCM 303/71N-4/17	3036043005			
20	163	67.21	6900	1.4	KXCM 303/71N-4/20	3036041005			
22	152	62.54	6850	1.4	KXCM 303/71N-4/22	3036040005			
25	133	54.69	6700	1.4	KXCM 303/71N-4/25	3036038005			
28	117	48.14	6600	2.4	KXCM 303/71N-4/28	3036037005			
31	109	44.8	6500	2.4	KXCM 303/71N-4/31	3036036005			
35	95	39.17	6350	2.4	KXCM 303/71N-4/35	3036034005			
40	84	34.62	6200	2.4	KXCM 303/71N-4/40	3036033005			
46	72	29.75	6050	3	KXCM 303/71N-4/46	3036031005			
49	67	27.69	5900	3	KXCM 303/71N-4/49	3036030005			
57	58	23.95	5750	4.3	KXCM 303/71N-4/57	3036028005			
64	52	21.31	5650	5.4	KXCM 303/71N-4/64	3036025005			
69	48	19.83	5600	5.4	KXCM 303/71N-4/69	3036024005			
79	42	17.34	5450	5.4	KXCM 303/71N-4/79	3036021005			
89	37	15.33	5350	5.4	KXCM 303/71N-4/89	3036019005			
100	33	13.66	5250	5.4	KXCM 303/71N-4/100	3036018005			
112	30	12.26	5150	5.4	KXCM 303/71N-4/112	3036016005			
129	26	10.6	5050	5.6	KXCM 303/71N-4/129	3036015005			
139	24	9.87	4975	5.6	KXCM 303/71N-4/139	3036014005			
159	21	8.63	4850	5.6	KXCM 303/71N-4/159	3036011005			
180	18	7.62	4750	5.6	KXCM 303/71N-4/180	3036008005			
202	16	6.79	4675	5.6	KXCM 303/71N-4/202	3036006005			
225	15	6.1	4600	5.6	KXCM 303/71N-4/225	3036005005			
0.55	4	1245	172.79	27200	2.3	KXCM 603/90L-8/4	3036456052	(1.85)	
	4.3	1159	160.83	26900	2.3	KXCM 603/90L-8/4.3	3036455052		
	5	996	138.16	26300	2.8	KXCM 603/90L-8/5	3036452052		

Todos los moto-reductores pueden suministrarse con motor freno (MF).
Los códigos indicados son del moto-reductor sin freno.

All geared motors can be supplied with brake motor (MF).
The indicated codes are for the geared motor without brake.

Tutti i moto riduttori possono essere consegnati con motore freno (MF).
I codici indicati sono del moto riduttore senza freno.

Todos os motoredutores podem ser fornecidos com freio (MF).
Os códigos indicados são dos motoredutores sem freio.



STRATEGY - RIDUTTORI ORTOGONALI KX

KXCM-KXCMF

PROGRAMA DE
FABRICACIÓN

MANUFACTURE
PROGRAMME

PROGRAMMA DI
FABBRICAZIONE

PROGRAMA DE
FABRICAÇÃO

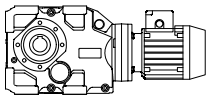
P [kW]	n ₂ [1/min]	M ₂ [Nm]	i _R	F _{Ra} [N]	f _b	Tipo	Código Ref. Codice Código	Intens. nominal Nominal intens. Tensione nominale Corrente nominal 400V(A)
						Type Tipo Tipo		
0.55	5.1	964	172.79	26100	3	KXCM 603/80N-6/5.1	3036456030	(1.7)
	5.5	897	160.83	25700	3	KXCM 603/80N-6/5.5	3036455030	
	6.4	771	138.16	25100	3.8	KXCM 603/80N-6/6.4	3036452030	
	6.9	717	128.6	24700	4.1	KXCM 603/80N-6/6.9	3036451030	
	8	614	172.79	24200	4.5	KXCM 603/80K-4/8	3036456006	(1.65)
	8.6	571	160.83	23900	4.5	KXCM 603/80K-4/8.6	3036455006	
	10	491	138.16	23200	5.7	KXCM 603/80K-4/10	3036452006	
	11	457	128.6	22800	6.1	KXCM 603/80K-4/11	3036451006	
	12	400	112.51	22200	6.1	KXCM 603/80K-4/12	3036450006	
	14	353	99.4	21600	6.1	KXCM 603/80K-4/14	3036447006	
	15	329	92.53	21300	6.1	KXCM 603/80K-4/15	3036446006	
	17	288	80.95	20600	6.1	KXCM 603/80K-4/17	3036444006	
	4	1245	172.79	24480	2	KXCM 553/90L-8/4	3036856052	(1.85)
	4.3	1159	160.83	24210	2	KXCM 553/90L-8/4.3	3036855052	
	5	996	138.16	23670	2.6	KXCM 553/90L-8/5	3036852052	
	5.1	964	172.79	23490	2.7	KXCM 553/80N-6/5.1	3036856030	(1.7)
	5.5	897	160.83	23130	2.7	KXCM 553/80N-6/5.5	3036855030	
6.4	771	138.16	22590	3.4	KXCM 553/80N-6/6.4	3036852030		
6.9	717	128.6	22230	3.7	KXCM 553/80N-6/6.9	3036851030		
8	614	172.79	21780	4.1	KXCM 553/80K-4/8	3036856006	(1.65)	
8.6	571	160.83	21510	4.1	KXCM 553/80K-4/8.6	3036855006		
10	491	138.16	20880	5.1	KXCM 553/80K-4/10	3036852006		
11	457	128.6	20520	5.5	KXCM 553/80K-4/11	3036851006		
12	400	112.51	19980	5.5	KXCM 553/80K-4/12	3036850006		
14	353	99.4	19440	5.5	KXCM 553/80K-4/14	3036847006		
15	329	92.53	19170	5.5	KXCM 553/80K-4/15	3036846006		
17	288	80.95	18540	5.5	KXCM 553/80K-4/17	3036844006		
3.3	1508	209.22	19800	1	KXCM 503/90L-8/3.3	3036358052	(1.85)	
3.8	1299	180.27	19600	1	KXCM 503/90L-8/3.8	3036357052		
4.2	1167	209.22	19600	1.3	KXCM 503/80N-6/4.2	3036358030	(1.7)	
4.9	1006	180.27	19300	1.3	KXCM 503/80N-6/4.9	3036357030		
5.8	854	153	19100	2.1	KXCM 503/80N-6/5.8	3036354030		
6	824	147.69	18800	1.3	KXCM 503/80N-6/6	3036353030		
6.6	743	209.22	18800	2	KXCM 503/80K-4/6.6	3036358006	(1.65)	
7.7	640	180.27	18500	2	KXCM 503/80K-4/7.7	3036357006		
9.1	543	153	18100	3.1	KXCM 503/80K-4/9.1	3036354006		
9.4	525	147.69	17800	2	KXCM 503/80K-4/9.4	3036353006		
10.5	468	131.82	17600	3.2	KXCM 503/80K-4/10.5	3036352006		
11.3	437	123	17300	3.2	KXCM 503/80K-4/11.3	3036351006		
13	388	109.28	17000	4.3	KXCM 503/80K-4/13	3036349006		
15	334	94.16	16500	4.7	KXCM 503/80K-4/15	3036346006		
16	312	87.85	16300	4.7	KXCM 503/80K-4/16	3036345006		
18	274	77.14	15800	4.7	KXCM 503/80K-4/18	3036343006		

Todos los moto-reductores pueden suministrarse con motor freno (MF).
Los códigos indicados son del moto-reductor sin freno.

All geared motors can be supplied with brake motor (MF).
The indicated codes are for the geared motor without brake.

Tutti i moto riduttori possono essere consegnati con motore freno (MF).
I codici indicati sono del moto riduttore senza freno.

Todos os motoredutores podem ser fornecidos com freio (MF).
Os códigos indicados são dos motoredutores sem freio.



STRATEGY - RIDUTTORI ORTOGONALI KX

KXCM-KXCMF

PROGRAMA DE
FABRICACIÓN

MANUFACTURE
PROGRAMME

PROGRAMMA DI
FABBRICAZIONE

PROGRAMA DE
FABRICAÇÃO

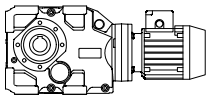
P [kW]	n ₂ [1/min]	M ₂ [Nm]	i _R	F _{Ra} [N]	f _b	Tipo Type Tipo Tipo	Código Ref. Codice Código	Intens. nominal Nominal intens. Tensione nominale Corrente nominal 400V(A)
0.55	3.3	1508	209.22	17820	0.91	KXCM 453/90L-8/3.3	3036758052	(1.85)
	3.8	1299	180.27	17640	0.91	KXCM 453/90L-8/3.8	3036757052	
	4.2	1167	209.22	17640	1.2	KXCM 453/80N-6/4.2	3036758030	(1.7)
	4.9	1006	180.27	17370	1.2	KXCM 453/80N-6/4.9	3036757030	
	5.8	854	153	17190	1.9	KXCM 453/80N-6/5.8	3036754030	
	6	824	147.69	16920	1.2	KXCM 453/80N-6/6	3036753030	
	6.6	743	209.22	16920	1.8	KXCM 453/80K-4/6.6	3036758006	(1.65)
	7.7	640	180.27	16650	1.8	KXCM 453/80K-4/7.7	3036757006	
	9.1	543	153	16290	2.8	KXCM 453/80K-4/9.1	3036754006	
	9.4	525	147.69	16020	1.8	KXCM 453/80K-4/9.4	3036753006	
	10.5	468	131.82	15840	2.9	KXCM 453/80K-4/10.5	3036752006	
	11.3	437	123	15570	2.9	KXCM 453/80K-4/11.3	3036751006	
	13	388	109.28	15300	3.9	KXCM 453/80K-4/13	3036749006	
	15	334	94.16	14850	4.2	KXCM 453/80K-4/15	3036746006	
	16	312	87.85	14670	4.2	KXCM 453/80K-4/16	3036745006	
	18	274	77.14	14220	4.2	KXCM 453/80K-4/18	3036743006	
	4.5	1108	153.78	6200	0.82	KXCM 403/90L-8/4.5	3036254051	(1.85)
	5.1	974	135.19	10400	0.82	KXCM 403/90L-8/5.1	3036252051	
	5.8	858	153.78	12000	1.1	KXCM 403/80N-6/5.8	3036254030	(1.7)
	6.5	754	135.19	11900	1.1	KXCM 403/80N-6/6.5	3036252030	
	7.4	664	118.97	11800	1.1	KXCM 403/80N-6/7.4	3036250030	
	8.1	608	108.94	11900	1.6	KXCM 403/80N-6/8.1	3036249030	
	9	546	153.78	11800	1.6	KXCM 403/80K-4/9	3036254006	(1.65)
	10	480	135.19	11600	1.6	KXCM 403/80K-4/10	3036252006	
	12	423	118.97	11400	1.6	KXCM 403/80K-4/12	3036250006	
	13	387	108.94	11400	2.5	KXCM 403/80K-4/13	3036249006	
	14	351	98.75	11100	1.6	KXCM 403/80K-4/14	3036248006	
	15	340	95.77	11200	2.8	KXCM 403/80K-4/15	3036247006	
	16	299	84.28	10900	2.9	KXCM 403/80K-4/16	3036244006	
	20	247	69.6	10600	3.6	KXCM 403/80K-4/20	3036242006	
	23	217	61.19	10400	3.6	KXCM 403/80K-4/23	3036240006	
	25	196	55.07	10200	3.3	KXCM 403/80K-4/25	3036239006	
	28	175	49.3	10000	5.3	KXCM 403/80K-4/28	3036237006	
	32	154	43.34	9750	5.3	KXCM 403/80K-4/32	3036235006	
	36	135	38.14	9500	5.3	KXCM 403/80K-4/36	3036234006	
	39	126	35.5	9300	5.3	KXCM 403/80K-4/39	3036233006	
	56	89	24.93	8650	5.3	KXCM 403/80K-4/56	3036229006	
	63	78	21.91	8500	5.3	KXCM 403/80K-4/63	3036226006	
	77	64	17.95	8200	5.3	KXCM 403/80K-4/77	3036222006	
	4.5	1108	153.78	5580	0.74	KXCM 353/90L-8/4.5	3036154051	
	5.1	974	135.19	9360	0.74	KXCM 353/90L-8/5.1	3036152051	(1.85)
	5.8	858	153.78	10800	0.98	KXCM 353/80N-6/5.8	3036154030	
	6.5	754	135.19	10710	0.98	KXCM 353/80N-6/6.5	3036152030	(1.7)
	7.4	664	118.97	10620	0.98	KXCM 353/80N-6/7.4	3036150030	
	8.1	608	108.94	10710	1.5	KXCM 353/80N-6/8.1	3036149030	

Todos los moto-reductores pueden suministrarse con motor freno (MF). Los códigos indicados son del moto-reductor sin freno.

All geared motors can be supplied with brake motor (MF). The indicated codes are for the geared motor without brake.

Tutti i moto riduttori possono essere consegnati con motore freno (MF). I codici indicati sono del moto riduttore senza freno.

Todos os motoredutores podem ser fornecidos com freio (MF). Os códigos indicados são dos motoredutores sem freio.



STRATEGY - RIDUTTORI ORTOGONALI KX

KXCM-KXCMF

PROGRAMA DE
FABRICACIÓN

MANUFACTURE
PROGRAMME

PROGRAMMA DI
FABBRICAZIONE

PROGRAMA DE
FABRICAÇÃO

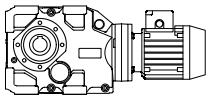
P [kW]	n ₂ [1/min]	M ₂ [Nm]	i _R	F _{Ra} [N]	f _b	Tipo	Código Ref. Codice Código	Intens. nominal Nominal intens. Tensione nominale Corrente nominal 400V(A)	
						Type Tipo Tipo			
0.55	9	546	153.78	10620	1.5	KXCM 353/80K-4/9	3036154006	(1.65)	
	10	480	135.19	10440	1.5	KXCM 353/80K-4/10	3036152006		
	12	423	118.97	10260	1.5	KXCM 353/80K-4/12	3036150006		
	13	387	108.94	10260	2.2	KXCM 353/80K-4/13	3036149006		
	14	351	98.75	9990	1.5	KXCM 353/80K-4/14	3036148006		
	15	340	95.77	10080	2.5	KXCM 353/80K-4/15	3036147006		
	16	299	84.28	9810	2.6	KXCM 353/80K-4/16	3036144006		
	20	247	69.6	9540	3.3	KXCM 353/80K-4/20	3036142006		
	23	217	61.19	9360	3.3	KXCM 353/80K-4/23	3036140006		
	25	196	55.07	9180	2.9	KXCM 353/80K-4/25	3036139006		
	28	175	49.3	9000	4.7	KXCM 353/80K-4/28	3036137006		
	32	154	43.34	8775	4.7	KXCM 353/80K-4/32	3036135006		
	36	135	38.14	8550	4.7	KXCM 353/80K-4/36	3036134006		
	39	126	35.5	8370	4.7	KXCM 353/80K-4/39	3036133006		
	56	89	24.93	7785	4.7	KXCM 353/80K-4/56	3036129006		
	63	78	21.91	7650	4.7	KXCM 353/80K-4/63	3036126006		
	77	64	17.95	7380	4.7	KXCM 353/80K-4/77	3036122006		
	14	347	48.14	6200	0.81	KXCM 303/90L-8/14	3036037051		(1.85)
	15	323	44.8	6200	0.81	KXCM 303/90L-8/15	3036036051		
	17	282	39.17	6200	0.81	KXCM 303/90L-8/17	3036034051		
	18	269	48.14	6300	1.1	KXCM 303/80N-6/18	3036037030		(1.7)
	20	250	44.8	6250	1.1	KXCM 303/80N-6/20	3036036030		
23	219	39.17	6150	1.1	KXCM 303/80N-6/23	3036034030			
22	222	62.54	6250	0.91	KXCM 303/80K-4/22	3036041006	(1.65)		
25	194	54.69	6150	0.91	KXCM 303/80K-4/25	3036040006			
29	171	48.14	6100	1.6	KXCM 303/80K-4/29	3036037006			
31	159	44.8	6050	1.6	KXCM 303/80K-4/31	3036036006			
35	139	39.17	5940	1.6	KXCM 303/80K-4/35	3036034006			
40	123	34.62	5850	1.6	KXCM 303/80K-4/40	3036033006			
47	106	29.75	5750	2	KXCM 303/80K-4/47	3036031006			
50	98	27.69	5600	2	KXCM 303/80K-4/50	3036030006			
58	85	23.95	5550	2.9	KXCM 303/80K-4/58	3036028006			
65	76	21.31	5450	3.6	KXCM 303/80K-4/65	3036025006			
70	70	19.83	5400	3.6	KXCM 303/80K-4/70	3036024006			
80	62	17.34	5300	3.6	KXCM 303/80K-4/80	3036021006			
91	54	15.33	5200	3.6	KXCM 303/80K-4/91	3036019006			
102	49	13.66	5100	3.6	KXCM 303/80K-4/102	3036018006			
113	44	12.26	5025	3.6	KXCM 303/80K-4/113	3036016006			
131	38	10.6	4950	4.6	KXCM 303/80K-4/131	3036015006			
141	35	9.87	4900	4.6	KXCM 303/80K-4/141	3036014006			
161	31	8.63	4775	4.6	KXCM 303/80K-4/161	3036011006			
182	27	7.62	4675	4.6	KXCM 303/80K-4/182	3036008006			
205	24	6.79	4600	4.6	KXCM 303/80K-4/205	3036006006			
228	22	6.1	4525	4.6	KXCM 303/80K-4/228	3036005006			

Todos los moto-reductores pueden suministrarse con motor freno (MF). Los códigos indicados son del moto-reductor sin freno.

All geared motors can be supplied with brake motor (MF). The indicated codes are for the geared motor without brake.

Tutti i moto riduttori possono essere consegnati con motore freno (MF). I codici indicati sono del moto riduttore senza freno.

Todos os motoredutores podem ser fornecidos com freio (MF). Os códigos indicados são dos motoredutores sem freio.



STRATEGY - RIDUTTORI ORTOGONALI KX

KXCM-KXCMF

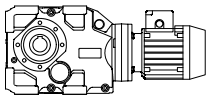
PROGRAMA DE FABRICACIÓN		MANUFACTURE PROGRAMME				PROGRAMMA DI FABBRICAZIONE		PROGRAMA DE FABRICAÇÃO	
<i>P</i> [kW]	<i>n</i> ₂ [1/min]	<i>M</i> ₂ [Nm]	<i>i</i> _R	<i>F</i> _{Ra} [N]	<i>f</i> _b	Tipo Type Tipo Tipo	Código Ref. Codice Código	Intens. nominal Nominal intens. Tensione nominale Corrente nominal 400V(A)	
0.75	4	1686	172.79	25500	1.7	KXCM 603/100LY-8/4	3036456053	(2.7)	
	4.3	1569	160.83	25200	1.7	KXCM 603/100LY-8/4.3	3036455053		
	5	1348	138.16	24900	2.1	KXCM 603/100LY-8/5	3036452053		
	5.3	1271	172.79	24700	2.2	KXCM 603/90S-6/5.3	3036456031	(2.3)	
	5.7	1183	160.83	24500	2.2	KXCM 603/90S-6/5.7	3036455031		
	6.6	1017	138.16	24000	2.8	KXCM 603/90S-6/6.6	3036452031		
	7.1	946	128.6	23700	3	KXCM 603/90S-6/7.1	3036451031		
	8.1	831	172.79	23400	3.3	KXCM 603/80N-4/8.1	3036456007		(2.15)
	8.7	773	160.83	23100	3.3	KXCM 603/80N-4/8.7	3036455007		
	10	664	138.16	22500	4.2	KXCM 603/80N-4/10	3036452007		
	11	618	128.6	22200	4.5	KXCM 603/80N-4/11	3036451007		
	12	541	112.51	21600	4.5	KXCM 603/80N-4/12	3036450007		
	14	478	99.4	21100	4.5	KXCM 603/80N-4/14	3036447007		
	15	445	92.53	20800	4.5	KXCM 603/80N-4/15	3036446007		
	17	389	80.95	20200	4.5	KXCM 603/80N-4/17	3036444007		
	4	1686	172.79	22950	1.5	KXCM 553/100LY-8/4	3036856053	(2.7)	
	4.3	1569	160.83	22680	1.5	KXCM 553/100LY-8/4.3	3036855053		
5	1348	138.16	22410	1.9	KXCM 553/100LY-8/5	3036852053			
5.3	1271	172.79	22230	2	KXCM 553/90S-6/5.3	3036856031	(2.3)		
5.7	1183	160.83	22050	2	KXCM 553/90S-6/5.7	3036855031			
6.6	1017	138.16	21600	2.5	KXCM 553/90S-6/6.6	3036852031			
7.1	946	128.6	21330	2.7	KXCM 553/90S-6/7.1	3036851031			
8.1	831	172.79	21060	3	KXCM 553/80N-4/8.1	3036856007		(2.15)	
8.7	773	160.83	20790	3	KXCM 553/80N-4/8.7	3036855007			
10	664	138.16	20250	3.7	KXCM 553/80N-4/10	3036852007			
11	618	128.6	19980	4.1	KXCM 553/80N-4/11	3036851007			
12	541	112.51	19440	4.1	KXCM 553/80N-4/12	3036850007			
14	478	99.4	18990	4.1	KXCM 553/80N-4/14	3036847007			
15	445	92.53	18720	4.1	KXCM 553/80N-4/15	3036846007			
17	389	80.95	18180	4.1	KXCM 553/80N-4/17	3036844007			
3.3	2041	209.22	9600	0.73	KXCM 503/100LY-8/3.3	3036358052	(2.7)		
3.8	1759	180.27	16000	0.73	KXCM 503/100LY-8/3.8	3036357052			
4.4	1539	209.22	17700	0.99	KXCM 503/90S-6/4.4	3036358031	(2.3)		
5.1	1326	180.27	17600	0.99	KXCM 503/90S-6/5.1	3036357031			
6	1126	153	17600	1.5	KXCM 503/90S-6/6	3036354031			
6.2	1087	147.69	17300	0.99	KXCM 503/90S-6/6.2	3036353031	(2.15)		
6.7	1006	209.22	17500	1.5	KXCM 503/80N-4/6.7	3036358007			
7.8	867	180.27	17300	1.5	KXCM 503/80N-4/7.8	3036357007			
9.2	736	153	17100	2.3	KXCM 503/80N-4/9.2	3036354007			
9.5	710	147.69	16800	1.5	KXCM 503/80N-4/9.5	3036353007			
10.6	634	131.82	16700	2.4	KXCM 503/80N-4/10.6	3036352007			
11.4	591	123	16500	2.4	KXCM 503/80N-4/11.4	3036351007			

Todos los moto-reductores pueden suministrarse con motor freno (MF).
Los códigos indicados son del moto-reductor sin freno.

All geared motors can be supplied with brake motor (MF).
The indicated codes are for the geared motor without brake.

Tutti i moto riduttori possono essere consegnati con motore freno (MF).
I codici indicati sono del moto riduttore senza freno.

Todos os motoredutores podem ser fornecidos com freio (MF).
Os códigos indicados são dos motoredutores sem freio.



STRATEGY - RIDUTTORI ORTOGONALI KX

KXCM-KXCMF

PROGRAMA DE
FABRICACIÓN

MANUFACTURE
PROGRAMME

PROGRAMMA DI
FABBRICAZIONE

PROGRAMA DE
FABRICAÇÃO

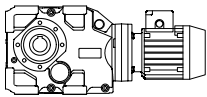
P [kW]	n ₂ [1/min]	M ₂ [Nm]	i _R	F _{Ra} [N]	f _b	Tipo Type Tipo Tipo	Código Ref. Codice Código	Intens. nominal Nominal intens. Tensione nominale Corrente nominal 400V(A)	
0.75	13	526	109.28	16400	3.2	KXCM 503/80N-4/13	3036349007	(2.15)	
	15	453	94.16	15900	3.4	KXCM 503/80N-4/15	3036346007		
	16	422	87.85	15700	3.4	KXCM 503/80N-4/16	3036345007		
	18	371	77.14	15300	3.4	KXCM 503/80N-4/18	3036343007		
	3.3	2041	209.22	8640	0.66	KXCM 453/100LY-8/3.3	3036758052	(2.7)	
	3.8	1759	180.27	14400	0.66	KXCM 453/100LY-8/3.8	3036757052		
	4.4	1539	209.22	15930	0.89	KXCM 453/90S-6/4.4	3036758031	(2.3)	
	5.1	1326	180.27	15840	0.89	KXCM 453/90S-6/5.1	3036757031		
	6	1126	153	15840	1.4	KXCM 453/90S-6/6	3036754031		
	6.2	1087	147.69	15570	0.89	KXCM 453/90S-6/6.2	3036753031		
	6.7	1006	209.22	15750	1.3	KXCM 453/80N-4/6.7	3036758007	(2.15)	
	7.8	867	180.27	15570	1.3	KXCM 453/80N-4/7.8	3036757007		
	9.2	736	153	15390	2.1	KXCM 453/80N-4/9.2	3036754007	(2.15)	
	9.5	710	147.69	15120	1.3	KXCM 453/80N-4/9.5	3036753007		
	10.6	634	131.82	15030	2.1	KXCM 453/80N-4/10.6	3036752007		
	11.4	591	123	14850	2.1	KXCM 453/80N-4/11.4	3036751007		
	13	526	109.28	14760	2.8	KXCM 453/80N-4/13	3036749007		
	15	453	94.16	14310	3.1	KXCM 453/80N-4/15	3036746007		
	16	422	87.85	14130	3.1	KXCM 453/80N-4/16	3036745007		
	18	371	77.14	13770	3.1	KXCM 453/80N-4/18	3036743007		
	6	1131	153.78	10300	0.80	KXCM 403/90S-6/6	3036254031		(2.3)
	6.8	995	135.19	10400	0.80	KXCM 403/90S-6/6.8	3036252031		
	7.7	875	118.97	10400	0.80	KXCM 403/90S-6/7.7	3036250031		
	8.4	802	108.94	10700	1.2	KXCM 403/90S-6/8.4	3036249031		
	9.1	739	153.78	10700	1.2	KXCM 403/80N-4/9.1	3036254007	(2.15)	
	10	650	135.19	10600	1.2	KXCM 403/80N-4/10	3036252007		
	12	572	118.97	10500	1.2	KXCM 403/80N-4/12	3036250007		
	13	524	108.94	10600	1.8	KXCM 403/80N-4/13	3036249007		
	14	475	98.75	10300	1.2	KXCM 403/80N-4/14	3036248007		
	15	461	95.77	10500	2.1	KXCM 403/80N-4/15	3036247007		
	17	405	84.28	10300	2.1	KXCM 403/80N-4/17	3036244007		
	20	335	69.6	10100	2.7	KXCM 403/80N-4/20	3036242007		
	23	294	61.19	9950	2.7	KXCM 403/80N-4/23	3036240007		
	25	265	55.07	9800	2.4	KXCM 403/80N-4/25	3036239007		
	28	237	49.3	9650	3.9	KXCM 403/80N-4/28	3036237007		
	32	208	43.34	9450	3.9	KXCM 403/80N-4/32	3036235007		
	37	183	38.14	9200	3.9	KXCM 403/80N-4/37	3036234007		
	39	171	35.5	9050	3.9	KXCM 403/80N-4/39	3036233007		
	56	120	24.93	8500	3.9	KXCM 403/80N-4/56	3036229007		
	64	105	21.91	8300	3.9	KXCM 403/80N-4/64	3036226007		
	78	86	17.95	8050	3.9	KXCM 403/80N-4/78	3036222007		
	6	1131	153.78	9270	0.72	KXCM 353/90S-6/6	3036154031	(2.3)	
	6.8	995	135.19	9360	0.72	KXCM 353/90S-6/6.8	3036152031		
	7.7	875	118.97	9360	0.72	KXCM 353/90S-6/7.7	3036150031		
	8.4	802	108.94	9630	1.1	KXCM 353/90S-6/8.4	3036149031		

Todos los moto-reductores pueden suministrarse con motor freno (MF). Los códigos indicados son del moto-reductor sin freno.

All geared motors can be supplied with brake motor (MF). The indicated codes are for the geared motor without brake.

Tutti i moto riduttori possono essere consegnati con motore freno (MF). I codici indicati sono del moto riduttore senza freno.

Todos os motoredutores podem ser fornecidos com freio (MF). Os códigos indicados são dos motoredutores sem freio.



STRATEGY - RIDUTTORI ORTOGONALI KX

KXCM-KXCMF

PROGRAMA DE
FABRICACIÓN

MANUFACTURE
PROGRAMME

PROGRAMMA DI
FABBRICAZIONE

PROGRAMA DE
FABRICAÇÃO

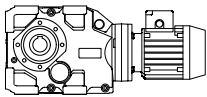
P [kW]	n ₂ [1/min]	M ₂ [Nm]	i _R	F _{Ra} [N]	f _b	Tipo	Código Ref. Codice Código	Intens. nominal Nominal intens. Tensione nominale Corrente nominal 400V(A)
						Type Tipo Tipo		
0.75	9.1	739	153.78	9630	1.1	KXCM 353/80N-4/9.1	3036154007	(2.15)
	10	650	135.19	9540	1.1	KXCM 353/80N-4/10	3036152007	
	12	572	118.97	9450	1.1	KXCM 353/80N-4/12	3036150007	
	13	524	108.94	9540	1.6	KXCM 353/80N-4/13	3036149007	
	14	475	98.75	9270	1.1	KXCM 353/80N-4/14	3036148007	
	15	461	95.77	9450	1.9	KXCM 353/80N-4/15	3036147007	
	17	405	84.28	9270	1.9	KXCM 353/80N-4/17	3036144007	
	20	335	69.6	9090	2.4	KXCM 353/80N-4/20	3036142007	
	23	294	61.19	8955	2.4	KXCM 353/80N-4/23	3036140007	
	25	265	55.07	8820	2.2	KXCM 353/80N-4/25	3036139007	
	28	237	49.3	8685	3.5	KXCM 353/80N-4/28	3036137007	
	32	208	43.34	8505	3.5	KXCM 353/80N-4/32	3036135007	
	37	183	38.14	8280	3.5	KXCM 353/80N-4/37	3036134007	
	39	171	35.5	8145	3.5	KXCM 353/80N-4/39	3036133007	
	56	120	24.93	7650	3.5	KXCM 353/80N-4/56	3036129007	
	64	105	21.91	7470	3.5	KXCM 353/80N-4/64	3036126007	
	78	86	17.95	7245	3.5	KXCM 353/80N-4/78	3036122007	
	19	354	48.14	5500	0.79	KXCM 303/90S-6/19	3036037031	
20	330	44.8	5500	0.79	KXCM 303/90S-6/20	3036036031		
23	288	39.17	5500	0.79	KXCM 303/90S-6/23	3036034031		
26	255	34.62	5500	0.79	KXCM 303/90S-6/26	3036033031		
22	301	62.54	5500	0.67	KXCM 303/80N-4/22	3036041007	(2.15)	
26	263	54.69	5500	0.67	KXCM 303/80N-4/26	3036040007		
29	231	48.14	5550	1.2	KXCM 303/80N-4/29	3036037007		
31	215	44.8	5550	1.2	KXCM 303/80N-4/31	3036036007		
36	188	39.17	5475	1.2	KXCM 303/80N-4/36	3036034007		
40	166	34.62	5400	1.2	KXCM 303/80N-4/40	3036033007		
47	143	29.75	5400	1.5	KXCM 303/80N-4/47	3036031007		
51	133	27.69	5250	1.5	KXCM 303/80N-4/51	3036030007		
58	115	23.95	5250	2.1	KXCM 303/80N-4/58	3036028007		
66	102	21.31	5200	2.6	KXCM 303/80N-4/66	3036025007		
71	95	19.83	5150	2.6	KXCM 303/80N-4/71	3036024007		
81	83	17.34	5100	2.6	KXCM 303/80N-4/81	3036021007		
91	74	15.33	5000	2.6	KXCM 303/80N-4/91	3036019007		
102	66	13.66	4950	2.6	KXCM 303/80N-4/102	3036018007		
114	59	12.26	4850	2.6	KXCM 303/80N-4/114	3036016007		
132	51	10.6	4800	3.3	KXCM 303/80N-4/132	3036015007		
142	47	9.87	4750	3.3	KXCM 303/80N-4/142	3036014007		
162	41	8.63	4675	3.3	KXCM 303/80N-4/162	3036011007		
184	37	7.62	4575	3.3	KXCM 303/80N-4/184	3036008007		
206	33	6.79	4500	3.3	KXCM 303/80N-4/206	3036006007		
230	29	6.1	4450	3.3	KXCM 303/80N-4/230	3036005007		
1.1	3.9	2538	174.82	34300	1.9	KXCM 703/100LZ-8/3.9	3036556054	(3.8)
	4.5	2206	151.94	33700	2	KXCM 703/100LZ-8/4.5	3036554054	
	4.9	2030	139.78	33600	2.3	KXCM 703/100LZ-8/4.9	3036553054	

Todos los moto-reductores pueden suministrarse con motor freno (MF). Los códigos indicados son del moto-reductor sin freno.

All geared motors can be supplied with brake motor (MF). The indicated codes are for the geared motor without brake.

Tutti i moto riduttori possono essere consegnati con motore freno (MF). I codici indicati sono del moto riduttore senza freno.

Todos os motoredutores podem ser fornecidos com freio (MF). Os códigos indicados são dos motoredutores sem freio.



STRATEGY - RIDUTTORI ORTOGONALI KX

KXCM-KXCMF

PROGRAMA DE
FABRICACIÓN

MANUFACTURE
PROGRAMME

PROGRAMMA DI
FABBRICAZIONE

PROGRAMA DE
FABRICAÇÃO

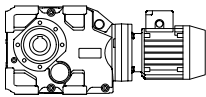
P [kW]	n ₂ [1/min]	M ₂ [Nm]	i _R	F _{Ra} [N]	f _b	Tipo	Código Ref. Codice Código	Intens. nominal Nominal intens. Tensione nominale Corrente nominal 400V(A)
						Type Tipo Tipo		
1.1	3.9	2538	174.82	30870	1.7	KXCM 653/100LZ-8/3.9	3036956054	(3.8)
	4.5	2206	151.94	30330	1.8	KXCM 653/100LZ-8/4.5	3036954054	
	4.9	2030	139.78	30240	2.1	KXCM 653/100LZ-8/4.9	3036953054	
	3.9	2509	172.79	22000	1.1	KXCM 603/100LZ-8/3.9	3036456053	
	4.2	2335	160.83	22200	1.1	KXCM 603/100LZ-8/4.2	3036455053	
	4.9	2006	138.16	22300	1.4	KXCM 603/100LZ-8/4.9	3036452053	
	5.3	1865	172.79	22400	1.5	KXCM 603/90L-6/5.3	3036456032	(3.2)
	5.7	1736	160.83	22300	1.5	KXCM 603/90L-6/5.7	3036455032	
	6.6	1491	138.16	22200	1.9	KXCM 603/90L-6/6.6	3036452032	
	7.1	1388	128.6	22000	2	KXCM 603/90L-6/7.1	3036451032	(2.8)
	8	1227	172.79	21800	2.3	KXCM 603/90S-4/8	3036456008	
	8.6	1142	160.83	21600	2.3	KXCM 603/90S-4/8.6	3036455008	
	10	981	138.16	21200	2.8	KXCM 603/90S-4/10	3036452008	
	11	914	128.6	21000	3.1	KXCM 603/90S-4/11	3036451008	
	12	799	112.51	20500	3.1	KXCM 603/90S-4/12	3036450008	
	14	706	99.4	20200	3.1	KXCM 603/90S-4/14	3036447008	
	15	657	92.53	20000	3.1	KXCM 603/90S-4/15	3036446008	
	17	575	80.95	19400	3.1	KXCM 603/90S-4/17	3036444008	
3.9	2509	172.79	19800	1	KXCM 553/100LZ-8/3.9	3036856053	(3.8)	
4.2	2335	160.83	19980	1	KXCM 553/100LZ-8/4.2	3036855053		
4.9	2006	138.16	20070	1.3	KXCM 553/100LZ-8/4.9	3036852053		
5.3	1865	172.79	20160	1.4	KXCM 553/90L-6/5.3	3036856032	(3.2)	
5.7	1736	160.83	20070	1.4	KXCM 553/90L-6/5.7	3036855032		
6.6	1491	138.16	19980	1.7	KXCM 553/90L-6/6.6	3036852032		
7.1	1388	128.6	19800	1.8	KXCM 553/90L-6/7.1	3036851032	(2.8)	
8	1227	172.79	19620	2	KXCM 553/90S-4/8	3036856008		
8.6	1142	160.83	19440	2	KXCM 553/90S-4/8.6	3036855008		
10	981	138.16	19080	2.6	KXCM 553/90S-4/10	3036852008		
11	914	128.6	18900	2.8	KXCM 553/90S-4/11	3036851008		
12	799	112.51	18450	2.8	KXCM 553/90S-4/12	3036850008		
14	706	99.4	18180	2.8	KXCM 553/90S-4/14	3036847008		
15	657	92.53	18000	2.8	KXCM 553/90S-4/15	3036846008		
17	575	80.95	17460	2.8	KXCM 553/90S-4/17	3036844008		
4.4	2222	153	4500	0.78	KXCM 503/100LZ-8/4.4	3036354053	(3.8)	
5.2	1914	131.82	13500	0.80	KXCM 503/100LZ-8/5.2	3036352053		
5.5	1786	123	14500	0.80	KXCM 503/100LZ-8/5.5	3036351053		
6	1651	153	15100	1	KXCM 503/90L-6/6	3036354032	(3.2)	
6.6	1486	209.22	15200	1	KXCM 503/90S-4/6.6	3036358008		
7.7	1281	180.27	15200	1	KXCM 503/90S-4/7.7	3036357008		
9.1	1087	153	15400	1.6	KXCM 503/90S-4/9.1	3036354008	(2.8)	
9.4	1049	147.69	15100	1	KXCM 503/90S-4/9.4	3036353008		

Todos los moto-reductores pueden suministrarse con motor freno (MF). Los códigos indicados son del moto-reductor sin freno.

All geared motors can be supplied with brake motor (MF). The indicated codes are for the geared motor without brake.

Tutti i moto riduttori possono essere consegnati con motore freno (MF). I codici indicati sono del moto riduttore senza freno.

Todos os motoredutores podem ser fornecidos com freio (MF). Os códigos indicados são dos motoredutores sem freio.



STRATEGY - RIDUTTORI ORTOGONALI KX

KXCM-KXCMF

PROGRAMA DE
FABRICACIÓN

MANUFACTURE
PROGRAMME

PROGRAMMA DI
FABBRICAZIONE

PROGRAMA DE
FABRICAÇÃO

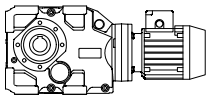
P [kW]	n₂ [1/min]	M₂ [Nm]	i_R	F_{Ra} [N]	f_b	Tipo Type Tipo Tipo	Código Ref. Codice Código	<i>Intens. nominal</i> <i>Nominal intens.</i> <i>Tensione nominale</i> <i>Corrente nominal</i> 400V(A)
1.1	10.5	936	131.82	15200	1.6	KXCM 503/90S-4/10.5	3036352008	(2.8)
	11.3	874	123	15100	1.6	KXCM 503/90S-4/11.3	3036351008	
	13	776	109.28	15100	2.2	KXCM 503/90S-4/13	3036349008	
	15	669	94.16	14900	2.3	KXCM 503/90S-4/15	3036346008	
	16	624	87.85	14700	2.3	KXCM 503/90S-4/16	3036345008	
	18	548	77.14	14400	2.3	KXCM 503/90S-4/18	3036343008	
	20	490	68.95	14400	3.3	KXCM 503/90S-4/20	3036341008	
	23	422	59.41	14000	3.5	KXCM 503/90S-4/23	3036340008	
	25	394	55.43	13800	3.5	KXCM 503/90S-4/25	3036339008	
	28	350	49.25	13600	4.6	KXCM 503/90S-4/28	3036337008	
	33	301	42.43	13200	5	KXCM 503/90S-4/33	3036335008	
	35	281	39.59	13000	5	KXCM 503/90S-4/35	3036334008	
	40	247	34.77	12700	5	KXCM 503/90S-4/40	3036333008	
4.4	2222	153	4050	0.70	KXCM 453/100LZ-8/4.4	3036754053	(3.8)	
5.2	1914	131.82	12150	0.72	KXCM 453/100LZ-8/5.2	3036752053		
5.5	1786	123	13050	0.72	KXCM 453/100LZ-8/5.5	3036751053		
6	1651	153	13590	0.94	KXCM 453/90L-6/6	3036754032	(3.2)	
6.6	1486	209.22	13680	0.91	KXCM 453/90S-4/6.6	3036758008	(2.8)	
7.7	1281	180.27	13680	0.91	KXCM 453/90S-4/7.7	3036757008		
9.1	1087	153	13860	1.4	KXCM 453/90S-4/9.1	3036754008		
9.4	1049	147.69	13590	0.91	KXCM 453/90S-4/9.4	3036753008		
10.5	936	131.82	13680	1.4	KXCM 453/90S-4/10.5	3036752008		
11.3	874	123	13590	1.4	KXCM 453/90S-4/11.3	3036751008		
13	776	109.28	13590	1.9	KXCM 453/90S-4/13	3036749008		
15	669	94.16	13410	2.1	KXCM 453/90S-4/15	3036746008		
16	624	87.85	13230	2.1	KXCM 453/90S-4/16	3036745008		
18	548	77.14	12960	2.1	KXCM 453/90S-4/18	3036743008		
20	490	68.95	12960	3	KXCM 453/90S-4/20	3036741008		
23	422	59.41	12600	3.2	KXCM 453/90S-4/23	3036740008		
25	394	55.43	12420	3.2	KXCM 453/90S-4/25	3036739008		
28	350	49.25	12240	4.1	KXCM 453/90S-4/28	3036737008		
33	301	42.43	11880	4.5	KXCM 453/90S-4/33	3036735008		
35	281	39.59	11700	4.5	KXCM 453/90S-4/35	3036734008		
40	247	34.77	11430	4.5	KXCM 453/90S-4/40	3036733008		
8.4	1176	108.94	3000	0.82	KXCM 403/90L-6/8.4	3036249032	(3.2)	
9	1092	153.78	8700	0.82	KXCM 403/90S-4/9	3036254008	(2.8)	
10	960	135.19	8900	0.82	KXCM 403/90S-4/10	3036252008		
12	845	118.97	9000	0.82	KXCM 403/90S-4/12	3036250008		
13	774	108.94	9200	1.2	KXCM 403/90S-4/13	3036249008		
14	701	98.75	9000	0.82	KXCM 403/90S-4/14	3036248008		
15	680	95.77	9200	1.4	KXCM 403/90S-4/15	3036247008		
16	599	84.28	9200	1.5	KXCM 403/90S-4/16	3036244008		
20	494	69.6	9300	1.8	KXCM 403/90S-4/20	3036242008		
23	435	61.19	9150	1.8	KXCM 403/90S-4/23	3036240008		

Todos los moto-reductores pueden suministrarse con motor freno (MF).
Los códigos indicados son del moto-reductor sin freno.

All geared motors can be supplied with brake motor (MF).
The indicated codes are for the geared motor without brake.

Tutti i moto riduttori possono essere consegnati con motore freno (MF).
I codici indicati sono del moto riduttore senza freno.

Todos os motoredutores podem ser fornecidos com freio (MF).
Os códigos indicados são dos motoredutores sem freio.



STRATEGY - RIDUTTORI ORTOGONALI KX

KXCM-KXCMF

PROGRAMA DE
FABRICACIÓN

MANUFACTURE
PROGRAMME

PROGRAMMA DI
FABBRICAZIONE

PROGRAMA DE
FABRICAÇÃO

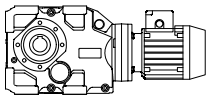
P [kW]	n ₂ [1/min]	M ₂ [Nm]	i _R	F _{Ra} [N]	f _b	Tipo Type Tipo Tipo	Código Ref. Codice Código	Intens. nominal Nominal intens. Tensione nominale Corrente nominal 400V(A)	
1.1	25	391	55.07	9150	1.6	KXCM 403/90S-4/25	3036239008	(2.8)	
	28	350	49.3	9050	2.6	KXCM 403/90S-4/28	3036237008		
	32	308	43.34	8850	2.6	KXCM 403/90S-4/32	3036235008		
	36	271	38.14	8700	2.6	KXCM 403/90S-4/36	3036234008		
	39	252	35.5	8600	2.6	KXCM 403/90S-4/39	3036233008		
	56	177	24.93	8200	2.6	KXCM 403/90S-4/56	3036229008		
	63	156	21.91	8000	2.6	KXCM 403/90S-4/63	3036226008		
	77	128	17.95	7800	2.6	KXCM 403/90S-4/77	3036222008		
	8.4	1176	108.94	2700	0.74	KXCM 353/90L-6/8.4	3036149032		(3.2)
	9	1092	153.78	7830	0.74	KXCM 353/90S-4/9	3036154008		(2.8)
	10	960	135.19	8010	0.74	KXCM 353/90S-4/10	3036152008		
	12	845	118.97	8100	0.74	KXCM 353/90S-4/12	3036150008		
	13	774	108.94	8280	1.1	KXCM 353/90S-4/13	3036149008		
	14	701	98.75	8100	0.74	KXCM 353/90S-4/14	3036148008		
	15	680	95.77	8280	1.3	KXCM 353/90S-4/15	3036147008		
	16	599	84.28	8280	1.3	KXCM 353/90S-4/16	3036144008		
	20	494	69.6	8370	1.6	KXCM 353/90S-4/20	3036142008		
	23	435	61.19	8235	1.6	KXCM 353/90S-4/23	3036140008		
	25	391	55.07	8235	1.5	KXCM 353/90S-4/25	3036139008		
	28	350	49.3	8145	2.4	KXCM 353/90S-4/28	3036137008		
	32	308	43.34	7965	2.4	KXCM 353/90S-4/32	3036135008		
	36	271	38.14	7830	2.4	KXCM 353/90S-4/36	3036134008		
	39	252	35.5	7740	2.4	KXCM 353/90S-4/39	3036133008		
	56	177	24.93	7380	2.4	KXCM 353/90S-4/56	3036129008		
	63	156	21.91	7200	2.4	KXCM 353/90S-4/63	3036126008		
	77	128	17.95	7020	2.4	KXCM 353/90S-4/77	3036122008		
	29	342	48.14	4700	0.81	KXCM 303/90S-4/29	3036037008		
	31	318	44.8	4750	0.81	KXCM 303/90S-4/31	3036036008		
35	278	39.17	4750	0.81	KXCM 303/90S-4/35	3036034008			
40	246	34.62	4750	0.81	KXCM 303/90S-4/40	3036033008			
47	211	29.75	4900	1	KXCM 303/90S-4/47	3036031008			
50	197	27.69	4700	1	KXCM 303/90S-4/50	3036030008			
58	170	23.95	4850	1.4	KXCM 303/90S-4/58	3036028008			
65	151	21.31	4820	1.8	KXCM 303/90S-4/65	3036025008			
70	141	19.83	4820	1.8	KXCM 303/90S-4/70	3036024008			
80	123	17.34	4770	1.8	KXCM 303/90S-4/80	3036021008			
91	109	15.33	4720	1.8	KXCM 303/90S-4/91	3036019008			
102	97	13.66	4670	1.8	KXCM 303/90S-4/102	3036018008			
113	87	12.26	4620	1.8	KXCM 303/90S-4/113	3036016008			
131	75	10.6	4620	3.2	KXCM 303/90S-4/131	3036015008			
141	70	9.87	4600	3.2	KXCM 303/90S-4/141	3036014008			
161	61	8.63	4500	3.2	KXCM 303/90S-4/161	3036011008			
182	54	7.62	4450	3.2	KXCM 303/90S-4/182	3036008008			
205	48	6.79	4400	3.2	KXCM 303/90S-4/205	3036006008			
228	43	6.1	4350	3.2	KXCM 303/90S-4/228	3036005008			

Todos los moto-reductores pueden suministrarse con motor freno (MF).
Los códigos indicados son del moto-reductor sin freno.

All geared motors can be supplied with brake motor (MF).
The indicated codes are for the geared motor without brake.

Tutti i moto riduttori possono essere consegnati con motore freno (MF).
I codici indicati sono del moto riduttore senza freno.

Todos os motoredutores podem ser fornecidos com freio (MF).
Os códigos indicados são dos motoredutores sem freio.



STRATEGY - RIDUTTORI ORTOGONALI KX

KXCM-KXCMF

PROGRAMA DE
FABRICACIÓN

MANUFACTURE
PROGRAMME

PROGRAMMA DI
FABBRICAZIONE

PROGRAMA DE
FABRICAÇÃO

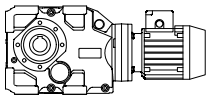
P [kW]	n ₂ [1/min]	M ₂ [Nm]	i _R	F _{Ra} [N]	f _b	Tipo Type Tipo Tipo	Código Ref. Codice Código	Intens. nominal Nominal intens. Tensione nominale Corrente nominal 400V(A)
1.5	4	3363	174.82	31000	1.4	KXCM 703/112M-8/4	3036556055	(4.4)
	4.6	2923	151.94	30900	1.4	KXCM 703/112M-8/4.6	3036554055	
	5.2	2601	174.82	30900	1.9	KXCM 703/100LY-6/5.2	3036556033	(4.3)
	6	2261	151.94	30500	1.9	KXCM 703/100LY-6/6	3036554033	
	6.5	2080	139.78	30400	2.3	KXCM 703/100LY-6/6.5	3036553033	
	7.4	1808	121.49	29900	2.9	KXCM 703/100LY-6/7.4	3036551033	
	8	1693	113.79	29600	2.9	KXCM 703/100LY-6/8	3036550033	
	9	1496	100.57	29300	3.1	KXCM 703/100LY-6/9	3036548033	
	11	1277	85.8	28600	3.6	KXCM 703/100LY-6/11	3036545033	
	12	1109	74.57	27900	3.9	KXCM 703/100LY-6/12	3036543033	
	13	1077	72.37	27700	3.8	KXCM 703/100LY-6/13	3036542033	
	15	887	59.62	26900	5.7	KXCM 703/100LY-6/15	3036540033	
	16	831	55.84	26500	5.7	KXCM 703/100LY-6/16	3036539033	
	18	734	49.36	26000	6.2	KXCM 703/100LY-6/18	3036537033	
	23	598	40.18	24900	6.7	KXCM 703/100LY-6/23	3036534033	
	25	528	35.52	24200	6.7	KXCM 703/100LY-6/25	3036533033	
29	471	31.67	23600	6.7	KXCM 703/100LY-6/29	3036532033		
32	423	28.43	23000	6.7	KXCM 703/100LY-6/32	3036530033		
4	3363	174.82	27900	1.3	KXCM 653/112M-8/4	3036956055	(4.4)	
4.6	2923	151.94	27810	1.3	KXCM 653/112M-8/4.6	3036954055		
5.2	2601	174.82	27810	1.7	KXCM 653/100LY-6/5.2	3036956033	(4.3)	
6	2261	151.94	27450	1.7	KXCM 653/100LY-6/6	3036954033		
6.5	2080	139.78	27360	2.1	KXCM 653/100LY-6/6.5	3036953033		
7.4	1808	121.49	26910	2.6	KXCM 653/100LY-6/7.4	3036951033		
8	1693	113.79	26640	2.6	KXCM 653/100LY-6/8	3036950033		
9	1496	100.57	26370	2.8	KXCM 653/100LY-6/9	3036948033		
11	1277	85.8	25740	3.3	KXCM 653/100LY-6/11	3036945033		
12	1109	74.57	25110	3.5	KXCM 653/100LY-6/12	3036943033		
13	1077	72.37	24930	3.5	KXCM 653/100LY-6/13	3036942033		
15	887	59.62	24210	5.2	KXCM 653/100LY-6/15	3036940033		
16	831	55.84	23850	5.2	KXCM 653/100LY-6/16	3036939033		
18	734	49.36	23400	5.5	KXCM 653/100LY-6/18	3036937033		
23	598	40.18	22410	6	KXCM 653/100LY-6/23	3036934033		
25	528	35.52	21780	6	KXCM 653/100LY-6/25	3036933033		
29	471	31.67	21240	6	KXCM 653/100LY-6/29	3036932033		
32	423	28.43	20700	6	KXCM 653/100LY-6/32	3036930033		
4.1	3277	172.79	13000	0.83	KXCM 603/112MS-8/4.1	3036456054	(4.4)	
4.4	3050	160.83	18700	0.83	KXCM 603/112MS-8/4.4	3036455054		
5.2	2571	172.79	19700	1.1	KXCM 603/100LY-6/5.2	3036456033	(4.3)	
5.6	2393	160.83	19700	1.1	KXCM 603/100LY-6/5.6	3036455033		
6.6	2056	138.16	20000	1.4	KXCM 603/100LY-6/6.6	3036452033		
7	1913	128.6	20000	1.6	KXCM 603/100LY-6/7	3036451033		
8	1674	172.79	20000	1.7	KXCM 603/90L-4/8	3036456009		

Todos los moto-reductores pueden suministrarse con motor freno (MF).
Los códigos indicados son del moto-reductor sin freno.

All geared motors can be supplied with brake motor (MF).
The indicated codes are for the geared motor without brake.

Tutti i moto riduttori possono essere consegnati con motore freno (MF).
I codici indicati sono del moto riduttore senza freno.

Todos os motoredutores podem ser fornecidos com freio (MF).
Os códigos indicados são dos motoredutores sem freio.



STRATEGY - RIDUTTORI ORTOGONALI KX

KXCM-KXCMF

PROGRAMA DE
FABRICACIÓN

MANUFACTURE
PROGRAMME

PROGRAMMA DI
FABBRICAZIONE

PROGRAMA DE
FABRICAÇÃO

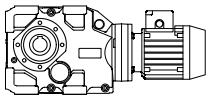
P [kW]	n ₂ [1/min]	M ₂ [Nm]	i _R	F _{Ra} [N]	f _b	Tipo Type Tipo Tipo	Código Ref. Codice Código	Intens. nominal Nominal intens. Tensione nominale Corrente nominal 400V(A)	
1.5	8.6	1558	160.83	19900	1.7	KXCM 603/90L-4/8.6	3036455009	(3.7)	
	10	1338	138.16	19800	2.1	KXCM 603/90L-4/10	3036452009		
	11	1246	128.6	19700	2.3	KXCM 603/90L-4/11	3036451009		
	12	1090	112.51	19300	2.3	KXCM 603/90L-4/12	3036450009		
	14	963	99.4	19200	2.3	KXCM 603/90L-4/14	3036447009		
	15	896	92.53	19000	2.3	KXCM 603/90L-4/15	3036446009		
	17	784	80.95	18600	2.3	KXCM 603/90L-4/17	3036444009		
	4.1	3277	172.79	11700	0.75	KXCM 553/112MS-8/4.1	3036856054		(4.4)
	4.4	3050	160.83	16830	0.75	KXCM 553/112MS-8/4.4	3036855054		
	5.2	2571	172.79	17730	1	KXCM 553/100LY-6/5.2	3036856033		(4.3)
5.6	2393	160.83	17730	1	KXCM 553/100LY-6/5.6	3036855033			
6.6	2056	138.16	18000	1.2	KXCM 553/100LY-6/6.6	3036852033			
7	1913	128.6	18000	1.4	KXCM 553/100LY-6/7	3036851033			
8	1674	172.79	18000	1.5	KXCM 553/90L-4/8	3036856009	(3.7)		
8.6	1558	160.83	17910	1.5	KXCM 553/90L-4/8.6	3036855009			
10	1338	138.16	17820	1.9	KXCM 553/90L-4/10	3036852009			
11	1246	128.6	17730	2	KXCM 553/90L-4/11	3036851009			
12	1090	112.51	17370	2	KXCM 553/90L-4/12	3036850009			
14	963	99.4	17280	2	KXCM 553/90L-4/14	3036847009			
15	896	92.53	17100	2	KXCM 553/90L-4/15	3036846009			
17	784	80.95	16740	2	KXCM 553/90L-4/17	3036844009			
5.9	2276	153	12200	0.76	KXCM 503/100LY-6/5.9	3036354033	(4.3)		
6.9	1961	131.82	12600	0.79	KXCM 503/100LY-6/6.9	3036352033			
7.4	1830	123	12700	0.79	KXCM 503/100LY-6/7.4	3036351033			
8.3	1626	109.28	13300	1.1	KXCM 503/100LY-6/8.3	3036349033			
9.6	1401	94.16	13400	1.1	KXCM 503/100LY-6/9.6	3036346033			
6.6	2027	209.22	12500	0.74	KXCM 503/90L-4/6.6	3036358009	(3.7)		
7.7	1746	180.27	12900	0.74	KXCM 503/90L-4/7.7	3036357009			
9.1	1482	153	13500	1.1	KXCM 503/90L-4/9.1	3036354009			
9.4	1431	147.69	13100	0.74	KXCM 503/90L-4/9.4	3036353009			
10.5	1277	131.82	13500	1.2	KXCM 503/90L-4/10.5	3036352009			
11.3	1191	123	13500	1.2	KXCM 503/90L-4/11.3	3036351009			
13	1059	109.28	13800	1.6	KXCM 503/90L-4/13	3036349009			
15	912	94.16	13600	1.7	KXCM 503/90L-4/15	3036346009			
16	851	87.85	13600	1.7	KXCM 503/90L-4/16	3036345009			
18	747	77.14	13400	1.7	KXCM 503/90L-4/18	3036343009			
20	668	68.95	13500	2.5	KXCM 503/90L-4/20	3036341009			
23	575	59.41	13200	2.6	KXCM 503/90L-4/23	3036340009			
25	537	55.43	13100	2.6	KXCM 503/90L-4/25	3036339009			
28	477	49.25	13000	3.4	KXCM 503/90L-4/28	3036337009			
33	411	42.43	12700	3.7	KXCM 503/90L-4/33	3036335009			
35	383	39.59	12500	3.7	KXCM 503/90L-4/35	3036334009			
40	337	34.77	12200	3.7	KXCM 503/90L-4/40	3036333009			

Todos los moto-reductores pueden suministrarse con motor freno (MF).
Los códigos indicados son del moto-reductor sin freno.

All geared motors can be supplied with brake motor (MF).
The indicated codes are for the geared motor without brake.

Tutti i moto riduttori possono essere consegnati con motore freno (MF).
I codici indicati sono del moto riduttore senza freno.

Todos os motoredutores podem ser fornecidos com freio (MF).
Os códigos indicados são dos motoredutores sem freio.



STRATEGY - RIDUTTORI ORTOGONALI KX

KXCM-KXCMF

PROGRAMA DE
FABRICACIÓN

MANUFACTURE
PROGRAMME

PROGRAMMA DI
FABBRICAZIONE

PROGRAMA DE
FABRICAÇÃO

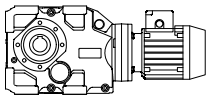
P [kW]	n₂ [1/min]	M₂ [Nm]	i_R	F_{Ra} [N]	f_b	Tipo Type Tipo Tipo	Código Ref. Codice Código	<i>Intens. nominal</i> <i>Nominal intens.</i> <i>Tensione nominale</i> <i>Corrente nominal</i> 400V(A)
1.5	5.9	2276	153	10980	0.69	KXCM 453/100LY-6/5.9	3036754033	(4.3)
	6.9	1961	131.82	11340	0.71	KXCM 453/100LY-6/6.9	3036752033	
	7.4	1830	123	11430	0.71	KXCM 453/100LY-6/7.4	3036751033	
	8.3	1626	109.28	11970	0.95	KXCM 453/100LY-6/8.3	3036749033	
	9.6	1401	94.16	12060	1	KXCM 453/100LY-6/9.6	3036746033	
	6.6	2027	209.22	11250	0.67	KXCM 453/90L-4/6.6	3036758009	(3.7)
	7.7	1746	180.27	11610	0.67	KXCM 453/90L-4/7.7	3036757009	
	9.1	1482	153	12150	1	KXCM 453/90L-4/9.1	3036754009	
	9.4	1431	147.69	11790	0.67	KXCM 453/90L-4/9.4	3036753009	
	10.5	1277	131.82	12150	1.1	KXCM 453/90L-4/10.5	3036752009	
	11.3	1191	123	12150	1.1	KXCM 453/90L-4/11.3	3036751009	
	13	1059	109.28	12420	1.4	KXCM 453/90L-4/13	3036749009	
	15	912	94.16	12240	1.5	KXCM 453/90L-4/15	3036746009	
	16	851	87.85	12240	1.5	KXCM 453/90L-4/16	3036745009	
	18	747	77.14	12060	1.5	KXCM 453/90L-4/18	3036743009	
	20	668	68.95	12150	2.2	KXCM 453/90L-4/20	3036741009	
	23	575	59.41	11880	2.3	KXCM 453/90L-4/23	3036740009	
	25	537	55.43	11790	2.3	KXCM 453/90L-4/25	3036739009	
	28	477	49.25	11700	3	KXCM 453/90L-4/28	3036737009	
	33	411	42.43	11430	3.3	KXCM 453/90L-4/33	3036735009	
35	383	39.59	11250	3.3	KXCM 453/90L-4/35	3036734009		
40	337	34.77	10980	3.3	KXCM 453/90L-4/40	3036733009		
9.4	1425	95.77	4500	0.69	KXCM 403/100LY-6/9.4	3036247033	(4.3)	
11	1254	84.28	8300	0.69	KXCM 403/100LY-6/11	3036244033		
13	1055	108.94	7600	0.90	KXCM 403/90L-4/13	3036249009	(3.7)	
15	928	95.77	7800	1	KXCM 403/90L-4/15	3036247009		
16	816	84.28	7900	1.1	KXCM 403/90L-4/16	3036244009		
20	674	69.6	8250	1.3	KXCM 403/90L-4/20	3036242009		
23	593	61.19	8250	1.3	KXCM 403/90L-4/23	3036240009		
25	533	55.07	8300	1.2	KXCM 403/90L-4/25	3036239009		
28	478	49.3	8300	1.9	KXCM 403/90L-4/28	3036237009		
32	420	43.34	8200	1.9	KXCM 403/90L-4/32	3036235009		
36	369	38.14	8100	1.9	KXCM 403/90L-4/36	3036234009		
39	344	35.5	8050	1.9	KXCM 403/90L-4/39	3036233009		
56	241	24.93	7800	1.9	KXCM 403/90L-4/56	3036229009		
63	212	21.91	7700	1.9	KXCM 403/90L-4/63	3036226009		
77	174	17.95	7750	1.9	KXCM 403/90L-4/77	3036222009		
13	1055	108.94	6840	0.81	KXCM 353/90L-4/13	3036149009		(3.7)
15	928	95.77	7020	0.93	KXCM 353/90L-4/15	3036147009		
16	816	84.28	7110	0.96	KXCM 353/90L-4/16	3036144009		
20	674	69.6	7425	1.2	KXCM 353/90L-4/20	3036142009		
23	593	61.19	7425	1.2	KXCM 353/90L-4/23	3036140009		
25	533	55.07	7470	1.1	KXCM 353/90L-4/25	3036139009		
28	478	49.3	7470	1.7	KXCM 353/90L-4/28	3036137009		
32	420	43.34	7380	1.7	KXCM 353/90L-4/32	3036135009		

Todos los moto-reductores pueden suministrarse con motor freno (MF).
Los códigos indicados son del moto-reductor sin freno.

All geared motors can be supplied with brake motor (MF).
The indicated codes are for the geared motor without brake.

Tutti i moto riduttori possono essere consegnati con motore freno (MF).
I codici indicati sono del moto riduttore senza freno.

Todos os motoredutores podem ser fornecidos com freio (MF).
Os códigos indicados são dos motoredutores sem freio.



STRATEGY - RIDUTTORI ORTOGONALI KX

KXCM-KXCMF

PROGRAMA DE
FABRICACIÓN

MANUFACTURE
PROGRAMME

PROGRAMMA DI
FABBRICAZIONE

PROGRAMA DE
FABRICAÇÃO

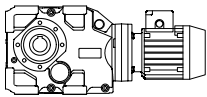
P [kW]	n ₂ [1/min]	M ₂ [Nm]	i _R	F _{Ra} [N]	f _b	Tipo Type Tipo Tipo	Código Ref. Codice Código	Intens. nominal Nominal intens. Tensione nominale Corrente nominal 400V(A)		
1.5	36	369	38.14	7290	1.7	KXCM 353/90L-4/36	3036134009	(3.7)		
	39	344	35.5	7245	1.7	KXCM 353/90L-4/39	3036133009			
	56	241	24.93	7020	1.7	KXCM 353/90L-4/56	3036129009			
	63	212	21.91	6930	1.7	KXCM 353/90L-4/63	3036126009			
	77	174	17.95	6975	1.7	KXCM 353/90L-4/77	3036122009			
	47	288	29.75	4250	0.73	KXCM 303/90L-4/47	3036031009			
	50	268	27.69	4050	0.73	KXCM 303/90L-4/50	3036030009			
	58	232	23.95	4350	1.1	KXCM 303/90L-4/58	3036028009			
	65	206	21.31	4370	1.3	KXCM 303/90L-4/65	3036025009			
	70	192	19.83	4400	1.3	KXCM 303/90L-4/70	3036024009			
	80	168	17.34	4400	1.3	KXCM 303/90L-4/80	3036021009			
	91	148	15.33	4350	1.3	KXCM 303/90L-4/91	3036019009			
	102	132	13.66	4350	1.3	KXCM 303/90L-4/102	3036018009			
	113	119	12.26	4350	1.3	KXCM 303/90L-4/113	3036016009			
	131	103	10.6	4400	2.3	KXCM 303/90L-4/131	3036015009			
	141	96	9.87	4400	2.3	KXCM 303/90L-4/141	3036014009			
	161	84	8.63	4320	2.3	KXCM 303/90L-4/161	3036011009			
	182	74	7.62	4270	2.3	KXCM 303/90L-4/182	3036008009			
	205	66	6.79	4250	2.3	KXCM 303/90L-4/205	3036006009			
	228	59	6.1	4200	2.3	KXCM 303/90L-4/228	3036005009			
	2.2	4.1	4862	174.82	21000	0.95	KXCM 703/1132SM-8/4.1		3036556055	(6)
		4.7	4226	151.94	25500	0.99	KXCM 703/1132SM-8/4.7		3036554055	
5.2		3773	174.82	26600	1.3	KXCM 703/112M-6/5.2	3036556034	(6.2)		
6		3279	151.94	26600	1.3	KXCM 703/112M-6/6	3036554034			
6.5		3017	139.78	27000	1.6	KXCM 703/112M-6/6.5	3036553034			
7.5		2622	121.49	26900	1.9	KXCM 703/112M-6/7.5	3036551034			
8		2484	174.82	27000	1.9	KXCM 703/100LY-4/8	3036556010		(5.2)	
9.1		2159	151.94	26700	2	KXCM 703/100LY-4/9.1	3036554010			
10		1986	139.78	26700	2.3	KXCM 703/100LY-4/10	3036553010			
11		1726	121.49	26300	2.9	KXCM 703/100LY-4/11	3036551010			
12		1617	113.79	26100	2.9	KXCM 703/100LY-4/12	3036550010			
14		1429	100.57	25900	3.2	KXCM 703/100LY-4/14	3036548010			
16		1219	85.8	25300	3.7	KXCM 703/100LY-4/16	3036545010			
18.6		1059	74.57	24700	4	KXCM 703/100LY-4/18.6	3036543010			
19.2		1028	72.37	24500	3.9	KXCM 703/100LY-4/19.2	3036542010			
23		847	59.62	23900	5.9	KXCM 703/100LY-4/23	3036540010			
25		793	55.84	23600	5.9	KXCM 703/100LY-4/25	3036539010			
28		701	49.36	23100	6.3	KXCM 703/100LY-4/28	3036537010			
35		571	40.18	22100	6.8	KXCM 703/100LY-4/35	3036534010			
39		505	35.52	21600	6.8	KXCM 703/100LY-4/39	3036533010			
44		450	31.67	21100	6.8	KXCM 703/100LY-4/44	3036532010			
49		404	28.43	20800	6.8	KXCM 703/100LY-4/49	3036530010			
4.1	4862	174.82	18900	0.85	KXCM 653/1132SM-8/4.1	3036956055	(6)			
4.7	4226	151.94	22950	0.89	KXCM 653/1132SM-8/4.7	3036954055				

Todos los moto-reductores pueden suministrarse con motor freno (MF). Los códigos indicados son del moto-reductor sin freno.

All geared motors can be supplied with brake motor (MF). The indicated codes are for the geared motor without brake.

Tutti i moto riduttori possono essere consegnati con motore freno (MF). I codici indicati sono del moto riduttore senza freno.

Todos os motoredutores podem ser fornecidos com freio (MF). Os códigos indicados são dos motoredutores sem freio.



STRATEGY - RIDUTTORI ORTOGONALI KX

KXCM-KXCMF

PROGRAMA DE
FABRICACIÓN

MANUFACTURE
PROGRAMME

PROGRAMMA DI
FABBRICAZIONE

PROGRAMA DE
FABRICAÇÃO

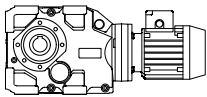
P [kW]	n ₂ [1/min]	M ₂ [Nm]	i _R	F _{Ra} [N]	f _b	Tipo Type Tipo Tipo	Código Ref. Codice Código	Intens. nominal Nominal intens. Tensione nominale Corrente nominal 400V(A)
2.2	5.2	3773	174.82	23940	1.1	KXCM 653/112M-6/5.2	3036956034	(6.2)
	6	3279	151.94	23940	1.2	KXCM 653/112M-6/6	3036954034	
	6.5	3017	139.78	24300	1.4	KXCM 653/112M-6/6.5	3036953034	
	7.5	2622	121.49	24210	1.8	KXCM 653/112M-6/7.5	3036951034	
	8	2484	174.82	24300	1.7	KXCM 653/100LY-4/8	3036956010	(5.2)
	9.1	2159	151.94	24030	1.8	KXCM 653/100LY-4/9.1	3036954010	
	10	1986	139.78	24030	2.1	KXCM 653/100LY-4/10	3036953010	
	11	1726	121.49	23670	2.6	KXCM 653/100LY-4/11	3036951010	
	12	1617	113.79	23490	2.6	KXCM 653/100LY-4/12	3036950010	
	14	1429	100.57	23310	2.9	KXCM 653/100LY-4/14	3036948010	
	16	1219	85.8	22770	3.4	KXCM 653/100LY-4/16	3036945010	
	18.6	1059	74.57	22230	3.6	KXCM 653/100LY-4/18.6	3036943010	
	19.2	1028	72.37	22050	3.5	KXCM 653/100LY-4/19.2	3036942010	
	23	847	59.62	21510	5.3	KXCM 653/100LY-4/23	3036940010	
	25	793	55.84	21240	5.3	KXCM 653/100LY-4/25	3036939010	
	28	701	49.36	20790	5.7	KXCM 653/100LY-4/28	3036937010	
	35	571	40.18	19890	6.1	KXCM 653/100LY-4/35	3036934010	
	39	505	35.52	19440	6.1	KXCM 653/100LY-4/39	3036933010	
	44	450	31.67	18990	6.1	KXCM 653/100LY-4/44	3036932010	
	49	404	28.43	18720	6.1	KXCM 653/100LY-4/49	3036930010	
5.3	3729	172.79	15100	0.75	KXCM 603/112M-6/5.3	3036456034	(6.2)	
5.7	3471	160.83	15400	0.75	KXCM 603/112M-6/5.7	3036455034		
6.6	2982	138.16	16300	0.95	KXCM 603/112M-6/6.6	3036452034		
7.1	2776	128.6	16500	1.1	KXCM 603/112M-6/7.1	3036451034		
8.1	2428	112.51	16700	1.1	KXCM 603/112M-6/8.1	3036450034		
8	2455	172.79	16900	1.1	KXCM 603/100LY-4/8	3036456010	(5.2)	
8.6	2285	160.83	17000	1.1	KXCM 603/100LY-4/8.6	3036455010		
10	1963	138.16	17300	1.4	KXCM 603/100LY-4/10	3036452010		
11	1827	128.6	17300	1.6	KXCM 603/100LY-4/11	3036451010		
12	1598	112.51	17200	1.7	KXCM 603/100LY-4/12	3036450010		
14	1412	99.4	17400	1.9	KXCM 603/100LY-4/14	3036447010		
15	1315	92.53	17300	2.2	KXCM 603/100LY-4/15	3036446010		
17	1150	80.95	17100	2.3	KXCM 603/100LY-4/17	3036444010		
21	960	67.59	17000	2.8	KXCM 603/100LY-4/21	3036441010		
22	894	62.91	16800	3.2	KXCM 603/100LY-4/22	3036440010		
25	782	55.04	16500	3.4	KXCM 603/100LY-4/25	3036439010		
29	691	48.63	16300	3.8	KXCM 603/100LY-4/29	3036437010		
31	643	45.26	16100	4.4	KXCM 603/100LY-4/31	3036436010		
35	563	39.6	15700	4.6	KXCM 603/100LY-4/35	3036434010		
5.3	3729	172.79	13590	0.68	KXCM 553/112M-6/5.3	3036856034		(6.2)
5.7	3471	160.83	13860	0.68	KXCM 553/112M-6/5.7	3036855034		
6.6	2982	138.16	14670	0.85	KXCM 553/112M-6/6.6	3036852034		
7.1	2776	128.6	14850	0.98	KXCM 553/112M-6/7.1	3036851034		
8.1	2428	112.51	15030	1	KXCM 553/112M-6/8.1	3036850034		

Todos los moto-reductores pueden suministrarse con motor freno (MF).
Los códigos indicados son del moto-reductor sin freno.

All geared motors can be supplied with brake motor (MF).
The indicated codes are for the geared motor without brake.

Tutti i moto riduttori possono essere consegnati con motore freno (MF).
I codici indicati sono del moto riduttore senza freno.

Todos os motoredutores podem ser fornecidos com freio (MF).
Os códigos indicados são dos motoredutores sem freio.



STRATEGY - RIDUTTORI ORTOGONALI KX

KXCM-KXCMF

PROGRAMA DE
FABRICACIÓN

MANUFACTURE
PROGRAMME

PROGRAMMA DI
FABBRICAZIONE

PROGRAMA DE
FABRICAÇÃO

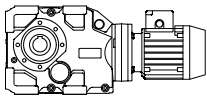
P [kW]	n ₂ [1/min]	M ₂ [Nm]	i _R	F _{Ra} [N]	f _b	Tipo Type Tipo Tipo	Código Ref. Codice Código	Intens. nominal Nominal intens. Tensione nominale Corrente nominal 400V(A)	
2.2	8	2455	172.79	15210	1	KXCM 553/100LY-4/8	3036856010	(5.2)	
	8.6	2285	160.83	15300	1	KXCM 553/100LY-4/8.6	3036855010		
	10	1963	138.16	15570	1.3	KXCM 553/100LY-4/10	3036852010		
	11	1827	128.6	15570	1.5	KXCM 553/100LY-4/11	3036851010		
	12	1598	112.51	15480	1.5	KXCM 553/100LY-4/12	3036850010		
	14	1412	99.4	15660	1.7	KXCM 553/100LY-4/14	3036847010		
	15	1315	92.53	15570	2	KXCM 553/100LY-4/15	3036846010		
	17	1150	80.95	15390	2.1	KXCM 553/100LY-4/17	3036844010		
	21	960	67.59	15300	2.5	KXCM 553/100LY-4/21	3036841010		
	22	894	62.91	15120	2.9	KXCM 553/100LY-4/22	3036840010		
	25	782	55.04	14850	3	KXCM 553/100LY-4/25	3036839010		
	29	691	48.63	14670	3.4	KXCM 553/100LY-4/29	3036837010		
	31	643	45.26	14490	4	KXCM 553/100LY-4/31	3036836010		
	35	563	39.6	14130	4.1	KXCM 553/100LY-4/35	3036834010		
	8.4	2365	109.58	2400	0.72	KXCM 503/112M-6/8.4	3036349034		(6.2)
	9.1	2174	153	10100	0.78	KXCM 503/100LY-4/9.1	3036354010		(5.2)
	10.5	1873	131.82	10500	0.80	KXCM 503/100LY-4/10.5	3036352010		
	11.3	1747	123	10700	0.80	KXCM 503/100LY-4/11.3	3036351010		
	13	1553	109.28	11300	1.1	KXCM 503/100LY-4/13	3036349010		
15	1338	94.16	11500	1.2	KXCM 503/100LY-4/15	3036346010			
16	1248	87.85	11500	1.2	KXCM 503/100LY-4/16	3036345010			
18	1096	77.14	11600	1.2	KXCM 503/100LY-4/18	3036343010			
20	980	68.95	12000	1.7	KXCM 503/100LY-4/20	3036341010			
23	844	59.41	11900	1.8	KXCM 503/100LY-4/23	3036340010			
25	788	55.43	11800	1.8	KXCM 503/100LY-4/25	3036339010			
28	700	49.25	11900	2.3	KXCM 503/100LY-4/28	3036337010			
33	603	42.43	11700	2.7	KXCM 503/100LY-4/33	3036335010			
35	562	39.59	11600	2.7	KXCM 503/100LY-4/35	3036334010			
40	494	34.77	11400	2.7	KXCM 503/100LY-4/40	3036333010			
45	442	31.107	11100	3.6	KXCM 503/100LY-4/45	3036331010			
52	381	26.8	11000	3.9	KXCM 503/100LY-4/52	3036330010			
56	355	25	11100	3.9	KXCM 503/100LY-4/56	3036329010			
63	316	22.22	11000	4.5	KXCM 503/100LY-4/63	3036326010			
73	272	19.14	10800	5.5	KXCM 503/100LY-4/73	3036323010			
78	254	17.86	10700	5.5	KXCM 503/100LY-4/78	3036322010			
89	223	15.68	10500	5.5	KXCM 503/100LY-4/89	3036320010			
100	197	13.89	10300	5.5	KXCM 503/100LY-4/100	3036318010			
112	176	12.41	10200	5.5	KXCM 503/100LY-4/112	3036316010			
124	159	11.22	10100	5.5	KXCM 503/100LY-4/124	3036315010			
144	137	9.67	9900	5.5	KXCM 503/100LY-4/144	3036313010			
154	128	9.02	9800	5.5	KXCM 503/100LY-4/154	3036312010			
176	113	7.92	9650	5.5	KXCM 503/100LY-4/176	3036310010			
198	100	7.02	9500	5.5	KXCM 503/100LY-4/198	3036307010			
222	89	6.27	9400	5.5	KXCM 503/100LY-4/222	3036305010			
8.4	2359	109.28	2160	0.65	KXCM 453/112M-6/8.4	3036349034	(6.2)		

Todos los moto-reductores pueden suministrarse con motor freno (MF).
Los códigos indicados son del moto-reductor sin freno.

All geared motors can be supplied with brake motor (MF).
The indicated codes are for the geared motor without brake.

Tutti i moto riduttori possono essere consegnati con motore freno (MF).
I codici indicati sono del moto riduttore senza freno.

Todos os motoredutores podem ser fornecidos com freio (MF).
Os códigos indicados são dos motoredutores sem freio.



STRATEGY - RIDUTTORI ORTOGONALI KX

KXCM-KXCMF

PROGRAMA DE
FABRICACIÓN

MANUFACTURE
PROGRAMME

PROGRAMMA DI
FABBRICAZIONE

PROGRAMA DE
FABRICAÇÃO

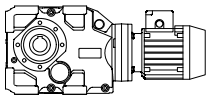
P [kW]	n ₂ [1/min]	M ₂ [Nm]	i _R	F _{Ra} [N]	f _b	Tipo Type Tipo Tipo	Código Ref. Codice Código	Intens. nominal Nominal intens. Tensione nominale Corrente nominal 400V(A)
2.2	9.1	2174	153	9090	0.70	KXCM 453/100LY-4/9.1	3036754010	(5.2)
	10.5	1873	131.82	9450	0.72	KXCM 453/100LY-4/10.5	3036752010	
	11.3	1747	123	9630	0.72	KXCM 453/100LY-4/11.3	3036751010	
	13	1553	109.28	10170	0.97	KXCM 453/100LY-4/13	3036749010	
	15	1338	94.16	10350	1.1	KXCM 453/100LY-4/15	3036746010	
	16	1248	87.85	10350	1.1	KXCM 453/100LY-4/16	3036745010	
	18	1096	77.14	10440	1.1	KXCM 453/100LY-4/18	3036743010	
	20	980	68.95	10800	1.5	KXCM 453/100LY-4/20	3036741010	
	23	844	59.41	10710	1.6	KXCM 453/100LY-4/23	3036740010	
	25	788	55.43	10620	1.6	KXCM 453/100LY-4/25	3036739010	
	28	700	49.25	10710	2.1	KXCM 453/100LY-4/28	3036737010	
	33	603	42.43	10530	2.4	KXCM 453/100LY-4/33	3036735010	
	35	562	39.59	10440	2.4	KXCM 453/100LY-4/35	3036734010	
	40	494	34.77	10260	2.5	KXCM 453/100LY-4/40	3036733010	
	45	442	31.107	9990	3.2	KXCM 453/100LY-4/45	3036731010	
	52	381	26.8	9900	3.5	KXCM 453/100LY-4/52	3036730010	
	56	355	25	9990	3.5	KXCM 453/100LY-4/56	3036729010	
	63	316	22.22	9900	4	KXCM 453/100LY-4/63	3036726010	
	73	272	19.14	9720	4.9	KXCM 453/100LY-4/73	3036723010	
	78	254	17.86	9630	4.9	KXCM 453/100LY-4/78	3036722010	
	89	223	15.68	9450	4.9	KXCM 453/100LY-4/89	3036720010	
	100	197	13.89	9270	4.9	KXCM 453/100LY-4/100	3036718010	
112	176	12.41	9180	4.9	KXCM 453/100LY-4/112	3036716010		
124	159	11.22	9090	4.9	KXCM 453/100LY-4/124	3036715010		
144	137	9.67	8910	4.9	KXCM 453/100LY-4/144	3036713010		
154	128	9.02	8820	4.9	KXCM 453/100LY-4/154	3036712010		
176	113	7.92	8685	4.9	KXCM 453/100LY-4/176	3036710010		
198	100	7.02	8550	4.9	KXCM 453/100LY-4/198	3036707010		
222	89	6.27	8460	4.9	KXCM 453/100LY-4/222	3036705010		
15	1361	95.77	5300	0.70	KXCM 403/100LY-4/15	3036247010		
16	1197	84.28	6200	0.73	KXCM 403/100LY-4/16	3036244010		
20	989	69.6	6500	0.91	KXCM 403/100LY-4/20	3036242010		
23	869	61.19	6700	0.91	KXCM 403/100LY-4/23	3036240010		
25	782	55.07	6900	0.98	KXCM 403/100LY-4/25	3036239010		
28	700	49.3	7050	1.4	KXCM 403/100LY-4/28	3036237010		
32	616	43.34	7100	1.5	KXCM 403/100LY-4/32	3036235010		
36	542	38.14	7100	1.6	KXCM 403/100LY-4/36	3036234010		
39	504	35.5	7100	1.6	KXCM 403/100LY-4/39	3036233010		
45	434	30.57	7250	2	KXCM 403/100LY-4/45	3036231010		
52	382	26.88	7150	2	KXCM 403/100LY-4/52	3036230010		
56	354	24.93	7150	2.1	KXCM 403/100LY-4/56	3036229010		
63	311	21.91	7150	2.1	KXCM 403/100LY-4/63	3036226010		
73	271	19.04	7100	2.6	KXCM 403/100LY-4/73	3036223010		
77	255	17.95	7050	2.1	KXCM 403/100LY-4/77	3036222010		
83	238	16.75	7050	2.6	KXCM 403/100LY-4/83	3036221010		
100	198	13.91	6950	2.6	KXCM 403/100LY-4/100	3036218010		
116	171	12.01	6800	2.6	KXCM 403/100LY-4/116	3036216010		

Todos los moto-reductores pueden suministrarse con motor freno (MF).
Los códigos indicados son del moto-reductor sin freno.

All geared motors can be supplied with brake motor (MF).
The indicated codes are for the geared motor without brake.

Tutti i moto riduttori possono essere consegnati con motore freno (MF).
I codici indicati sono del moto riduttore senza freno.

Todos os motoredutores podem ser fornecidos com freio (MF).
Os códigos indicados são dos motoredutores sem freio.



STRATEGY - RIDUTTORI ORTOGONALI KX

KXCM-KXCMF

PROGRAMA DE
FABRICACIÓN

MANUFACTURE
PROGRAMME

PROGRAMMA DI
FABBRICAZIONE

PROGRAMA DE
FABRICAÇÃO

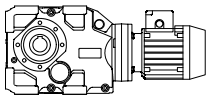
P [kW]	n ₂ [1/min]	M ₂ [Nm]	i _R	F _{Ra} [N]	f _b	Tipo Type Tipo Tipo	Código Ref. Codice Código	Intens. nominal Nominal intens. Tensione nominale Corrente nominal 400V(A)
2.2	127	156	10.95	6850	3.4	KXCM 403/100LY-4/127	3036215010	(5.2)
	144	137	9.63	6750	3.4	KXCM 403/100LY-4/144	3036213010	
	164	120	8.47	6650	3.4	KXCM 403/100LY-4/164	3036211010	
	198	100	7.03	6500	3.4	KXCM 403/100LY-4/198	3036207010	
	229	86	6.07	6400	3.4	KXCM 403/100LY-4/229	3036205010	
	16	1197	84.28	5580	0.65	KXCM 353/100LY-4/16	3036144010	
	20	989	69.6	5850	0.82	KXCM 353/100LY-4/20	3036142010	
	23	869	61.19	6030	0.82	KXCM 353/100LY-4/23	3036140010	
	25	782	55.07	6210	0.88	KXCM 353/100LY-4/25	3036139010	
	28	700	49.3	6345	1.2	KXCM 353/100LY-4/28	3036137010	
	32	616	43.34	6390	1.4	KXCM 353/100LY-4/32	3036135010	
	36	542	38.14	6390	1.4	KXCM 353/100LY-4/36	3036134010	
	39	504	35.5	6390	1.4	KXCM 353/100LY-4/39	3036133010	
	45	434	30.57	6525	1.8	KXCM 353/100LY-4/45	3036131010	
	52	382	26.88	6435	1.8	KXCM 353/100LY-4/52	3036130010	
	56	354	24.93	6435	1.9	KXCM 353/100LY-4/56	3036129010	
	63	311	21.91	6435	1.9	KXCM 353/100LY-4/63	3036126010	
	73	271	19.04	6390	2.4	KXCM 353/100LY-4/73	3036123010	
	77	255	17.95	6345	1.9	KXCM 353/100LY-4/77	3036122010	
	83	238	16.75	6345	2.4	KXCM 353/100LY-4/83	3036121010	
	100	198	13.91	6255	2.4	KXCM 353/100LY-4/100	3036118010	
	116	171	12.01	6120	2.4	KXCM 353/100LY-4/116	3036116010	
127	156	10.95	6165	3.1	KXCM 353/100LY-4/127	3036115010		
144	137	9.63	6075	3.1	KXCM 353/100LY-4/144	3036113010		
164	120	8.47	5985	3.1	KXCM 353/100LY-4/164	3036111010		
198	100	7.03	5850	3.1	KXCM 353/100LY-4/198	3036107010		
229	86	6.07	5760	3.1	KXCM 353/100LY-4/229	3036105010		
65	303	21.31	3570	0.90	KXCM 303/100LY-4/65	3036025010		
70	282	19.83	3650	0.90	KXCM 303/100LY-4/70	3036024010		
80	246	17.34	3720	0.90	KXCM 303/100LY-4/80	3036021010		
91	218	15.33	3800	0.90	KXCM 303/100LY-4/91	3036019010		
102	194	13.66	3820	0.90	KXCM 303/100LY-4/102	3036018010		
113	174	12.26	3850	0.90	KXCM 303/100LY-4/113	3036016010		
131	151	10.6	4000	1.6	KXCM 303/100LY-4/131	3036015010		
141	140	9.87	4000	1.6	KXCM 303/100LY-4/141	3036014010		
161	123	8.63	4000	1.6	KXCM 303/100LY-4/161	3036011010		
182	108	7.62	3970	1.6	KXCM 303/100LY-4/182	3036008010		
205	96	6.79	3970	1.6	KXCM 303/100LY-4/205	3036006010		
228	87	6.1	3950	1.6	KXCM 303/100LY-4/228	3036005010		
3	4.1	6631	174.82	4900	0.70	KXCM 703/132MS-8/4.1	3036556056	(8..7)
	4.7	5763	151.94	22300	0.72	KXCM 703/132MS-8/4.7	3036554056	
	5.1	5302	139.78	24500	0.86	KXCM 703/132MS-8/5.1	3036553056	
	5.5	4930	174.82	21900	0.93	KXCM 703/132S-6/5.5	3036556035	(7.2)
	6.3	4284	151.94	22500	0.96	KXCM 703/132S-6/6.3	3036554035	
	6.8	3942	139.78	23200	1.1	KXCM 703/132S-6/6.8	3036553035	

Todos los moto-reductores pueden suministrarse con motor freno (MF). Los códigos indicados son del moto-reductor sin freno.

All geared motors can be supplied with brake motor (MF). The indicated codes are for the geared motor without brake.

Tutti i moto riduttori possono essere consegnati con motore freno (MF). I codici indicati sono del moto riduttore senza freno.

Todos os motoredutores podem ser fornecidos com freio (MF). Os códigos indicados são dos motoredutores sem freio.



STRATEGY - RIDUTTORI ORTOGONALI KX

KXCM-KXCMF

PROGRAMA DE
FABRICACIÓN

MANUFACTURE
PROGRAMME

PROGRAMMA DI
FABBRICAZIONE

PROGRAMA DE
FABRICAÇÃO

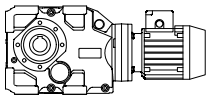
P [kW]	n ₂ [1/min]	M ₂ [Nm]	i _R	F _{Ra} [N]	f _b	Tipo Type Tipo Tipo	Código Ref. Codice Código	Intens. nominal Nominal intens. Tensione nominale Corrente nominal 400V(A)
3	8	3387	174.82	23800	1.4	KXCM 703/100LZ-4/8	3036556011	(6.8)
	9.1	2944	151.94	23900	1.4	KXCM 703/100LZ-4/9.1	3036554011	
	10	2708	139.78	24200	1.7	KXCM 703/100LZ-4/10	3036553011	
	11	2354	121.49	24000	2.1	KXCM 703/100LZ-4/11	3036551011	
	12	2204	113.79	23900	2.1	KXCM 703/100LZ-4/12	3036550011	
	14	1948	100.57	24000	2.4	KXCM 703/100LZ-4/14	3036548011	
	16	1662	85.8	23800	2.7	KXCM 703/100LZ-4/16	3036545011	
	18.6	1445	74.57	23300	2.9	KXCM 703/100LZ-4/18.6	3036543011	
	19.2	1402	72.37	23100	2.9	KXCM 703/100LZ-4/19.2	3036542011	
	23	1155	59.62	22700	4.3	KXCM 703/100LZ-4/23	3036540011	
	25	1082	55.84	22500	4.3	KXCM 703/100LZ-4/25	3036539011	
	28	956	49.36	22200	4.6	KXCM 703/100LZ-4/28	3036537011	
	35	778	40.18	21400	5	KXCM 703/100LZ-4/35	3036534011	
	39	688	35.52	20900	5	KXCM 703/100LZ-4/39	3036533011	
	44	614	31.67	20500	5	KXCM 703/100LZ-4/44	3036532011	
	49	551	28.43	20200	5	KXCM 703/100LZ-4/49	3036530011	
4.7	5763	151.94	20070	0.65	KXCM 653/132MS-8/4.7	3036954056	(8..7)	
5.1	5302	139.78	22050	0.77	KXCM 653/132MS-8/5.1	3036953056		
5.5	4930	174.82	19710	0.83	KXCM 653/132S-6/5.5	3036956035	(7.2)	
6.3	4284	151.94	20250	0.87	KXCM 653/132S-6/6.3	3036954035		
6.8	3942	139.78	20880	1	KXCM 653/132S-6/6.8	3036953035		
8	3387	174.82	21420	1.3	KXCM 653/100LZ-4/8	3036956011	(6.8)	
9.1	2944	151.94	21510	1.3	KXCM 653/100LZ-4/9.1	3036954011		
10	2708	139.78	21780	1.5	KXCM 653/100LZ-4/10	3036953011		
11	2354	121.49	21600	1.9	KXCM 653/100LZ-4/11	3036951011		
12	2204	113.79	21510	1.9	KXCM 653/100LZ-4/12	3036950011		
14	1948	100.57	21600	2.1	KXCM 653/100LZ-4/14	3036948011		
16	1662	85.8	21420	2.5	KXCM 653/100LZ-4/16	3036945011		
18.6	1445	74.57	20970	2.6	KXCM 653/100LZ-4/18.6	3036943011		
19.2	1402	72.37	20790	2.6	KXCM 653/100LZ-4/19.2	3036942011		
23	1155	59.62	20430	3.9	KXCM 653/100LZ-4/23	3036940011		
25	1082	55.84	20250	3.9	KXCM 653/100LZ-4/25	3036939011		
28	956	49.36	19980	4.2	KXCM 653/100LZ-4/28	3036937011		
35	778	40.18	19260	4.5	KXCM 653/100LZ-4/35	3036934011		
39	688	35.52	18810	4.5	KXCM 653/100LZ-4/39	3036933011		
44	614	31.67	18450	4.5	KXCM 653/100LZ-4/44	3036932011		
49	551	28.43	18180	4.5	KXCM 653/100LZ-4/49	3036930011		
8	3348	172.79	13400	0.83	KXCM 603/100LZ-4/8	3036456011		
8.6	3116	160.83	13700	0.83	KXCM 603/100LZ-4/8.6	3036455011		
10	2677	138.16	14500	1	KXCM 603/100LZ-4/10	3036452011		
11	2491	128.6	14700	1.2	KXCM 603/100LZ-4/11	3036451011		
12	2180	112.51	14900	1.2	KXCM 603/100LZ-4/12	3036450011		
14	1926	99.4	15400	1.4	KXCM 603/100LZ-4/14	3036447011		
15	1793	92.53	15400	1.6	KXCM 603/100LZ-4/15	3036446011		

Todos los moto-reductores pueden suministrarse con motor freno (MF).
Los códigos indicados son del moto-reductor sin freno.

All geared motors can be supplied with brake motor (MF).
The indicated codes are for the geared motor without brake.

Tutti i moto riduttori possono essere consegnati con motore freno (MF).
I codici indicati sono del moto riduttore senza freno.

Todos os motoredutores podem ser fornecidos com freio (MF).
Os códigos indicados são dos motoredutores sem freio.



STRATEGY - RIDUTTORI ORTOGONALI KX

KXCM-KXCMF

PROGRAMA DE
FABRICACIÓN

MANUFACTURE
PROGRAMME

PROGRAMMA DI
FABBRICAZIONE

PROGRAMA DE
FABRICAÇÃO

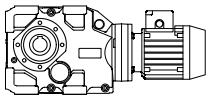
P [kW]	n ₂ [1/min]	M ₂ [Nm]	i _R	F _{Ra} [N]	f _b	Tipo Type Tipo Tipo	Código Ref. Codice Código	Intens. nominal Nominal intens. Tensione nominale Corrente nominal 400V(A)
3	17	1568	80.95	15400	1.7	KXCM 603/100LZ-4/17	3036444011	(6.8)
	21	1309	67.59	15600	2.1	KXCM 603/100LZ-4/21	3036441011	
	22	1219	62.91	15500	2.4	KXCM 603/100LZ-4/22	3036440011	
	25	1066	55.04	15300	2.5	KXCM 603/100LZ-4/25	3036439011	
	29	942	48.63	15300	2.8	KXCM 603/100LZ-4/29	3036437011	
	31	877	45.26	15100	3.2	KXCM 603/100LZ-4/31	3036436011	
	35	767	39.6	14900	3.4	KXCM 603/100LZ-4/35	3036434011	
	8	3348	172.79	12060	0.75	KXCM 553/100LZ-4/8	3036856011	
	8.6	3116	160.83	12330	0.75	KXCM 553/100LZ-4/8.6	3036855011	
	10	2677	138.16	13050	0.94	KXCM 553/100LZ-4/10	3036852011	
	11	2491	128.6	13230	1.1	KXCM 553/100LZ-4/11	3036851011	
	12	2180	112.51	13410	1.1	KXCM 553/100LZ-4/12	3036850011	
	14	1926	99.4	13860	1.3	KXCM 553/100LZ-4/14	3036847011	
	15	1793	92.53	13860	1.5	KXCM 553/100LZ-4/15	3036846011	
	17	1568	80.95	13860	1.5	KXCM 553/100LZ-4/17	3036844011	
	21	1309	67.59	14040	1.8	KXCM 553/100LZ-4/21	3036841011	
	22	1219	62.91	13950	2.1	KXCM 553/100LZ-4/22	3036840011	
	25	1066	55.04	13770	2.2	KXCM 553/100LZ-4/25	3036839011	
	29	942	48.63	13770	2.5	KXCM 553/100LZ-4/29	3036837011	
	31	877	45.26	13590	2.9	KXCM 553/100LZ-4/31	3036836011	
	35	767	39.6	13410	3	KXCM 553/100LZ-4/35	3036834011	
	13	2117	109.28	8600	0.79	KXCM 503/100LZ-4/13	3036349011	
	15	1824	94.16	9100	0.86	KXCM 503/100LZ-4/15	3036346011	
	16	1702	87.85	9200	0.86	KXCM 503/100LZ-4/16	3036345011	
	18	1494	77.14	9500	0.86	KXCM 503/100LZ-4/18	3036343011	
	20	1336	68.95	10200	1.2	KXCM 503/100LZ-4/20	3036341011	
	23	1151	59.41	10300	1.3	KXCM 503/100LZ-4/23	3036340011	
	25	1074	55.43	10400	1.3	KXCM 503/100LZ-4/25	3036339011	
	28	954	49.25	10600	1.7	KXCM 503/100LZ-4/28	3036337011	
	33	822	42.43	10600	2	KXCM 503/100LZ-4/33	3036335011	
	35	767	39.59	10600	2	KXCM 503/100LZ-4/35	3036334011	
	40	674	34.77	10500	2	KXCM 503/100LZ-4/40	3036333011	
	45	603	31.107	10600	2.6	KXCM 503/100LZ-4/45	3036331011	
	52	519	26.8	10500	2.8	KXCM 503/100LZ-4/52	3036330011	
	56	484	25	10400	2.8	KXCM 503/100LZ-4/56	3036329011	
63	430	22.22	10400	3.3	KXCM 503/100LZ-4/63	3036326011		
73	371	19.14	10300	4	KXCM 503/100LZ-4/73	3036323011		
78	346	17.86	10200	4	KXCM 503/100LZ-4/78	3036322011		
89	304	15.68	10100	4	KXCM 503/100LZ-4/89	3036320011		
100	269	13.89	10000	4	KXCM 503/100LZ-4/100	3036318011		
112	240	12.41	9800	4	KXCM 503/100LZ-4/112	3036316011		
124	217	11.22	9850	4	KXCM 503/100LZ-4/124	3036315011		
144	187	9.67	9650	4	KXCM 503/100LZ-4/144	3036313011		
154	175	9.02	9600	4	KXCM 503/100LZ-4/154	3036312011		
176	153	7.92	9450	4	KXCM 503/100LZ-4/176	3036310011		
198	136	7.02	9350	4	KXCM 503/100LZ-4/198	3036307011		
222	121	6.27	9200	4	KXCM 503/100LZ-4/222	3036305011		

Todos los moto-reductores pueden suministrarse con motor freno (MF).
Los códigos indicados son del moto-reductor sin freno.

All geared motors can be supplied with brake motor (MF).
The indicated codes are for the geared motor without brake.

Tutti i moto riduttori possono essere consegnati con motore freno (MF).
I codici indicati sono del moto riduttore senza freno.

Todos os motoredutores podem ser fornecidos com freio (MF).
Os códigos indicados são dos motoredutores sem freio.



STRATEGY - RIDUTTORI ORTOGONALI KX

KXCM-KXCMF

PROGRAMA DE
FABRICACIÓN

MANUFACTURE
PROGRAMME

PROGRAMMA DI
FABBRICAZIONE

PROGRAMA DE
FABRICAÇÃO

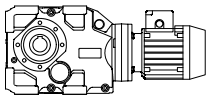
P [kW]	n ₂ [1/min]	M ₂ [Nm]	i _R	F _{Ra} [N]	f _b	Tipo Type Tipo Tipo	Código Ref. Codice Código	Intens. nominal Nominal intens. Tensione nominale Corrente nominal 400V(A)
3	13	2117	109.28	7740	0.71	KXCM 453/100LZ-4/13	3036749011	(6.8)
	15	1824	94.16	8190	0.77	KXCM 453/100LZ-4/15	3036746011	
	16	1702	87.85	8280	0.77	KXCM 453/100LZ-4/16	3036745011	
	18	1494	77.14	8550	0.77	KXCM 453/100LZ-4/18	3036743011	
	20	1336	68.95	9180	1.1	KXCM 453/100LZ-4/20	3036741011	
	23	1151	59.41	9270	1.2	KXCM 453/100LZ-4/23	3036740011	
	25	1074	55.43	9360	1.2	KXCM 453/100LZ-4/25	3036739011	
	28	954	49.25	9540	1.5	KXCM 453/100LZ-4/28	3036737011	
	33	822	42.43	9540	1.8	KXCM 453/100LZ-4/33	3036735011	
	35	767	39.59	9540	1.8	KXCM 453/100LZ-4/35	3036734011	
	40	674	34.77	9450	1.8	KXCM 453/100LZ-4/40	3036733011	
	45	603	31.107	9540	2.4	KXCM 453/100LZ-4/45	3036731011	
	52	519	26.8	9450	2.6	KXCM 453/100LZ-4/52	3036730011	
	56	484	25	9360	2.6	KXCM 453/100LZ-4/56	3036729011	
	63	430	22.22	9360	2.9	KXCM 453/100LZ-4/63	3036726011	
	73	371	19.14	9270	3.6	KXCM 453/100LZ-4/73	3036723011	
	78	346	17.86	9180	3.6	KXCM 453/100LZ-4/78	3036722011	
	89	304	15.68	9090	3.6	KXCM 453/100LZ-4/89	3036720011	
	100	269	13.89	9000	3.6	KXCM 453/100LZ-4/100	3036718011	
	112	240	12.41	8820	3.6	KXCM 453/100LZ-4/112	3036716011	
	124	217	11.22	8865	3.6	KXCM 453/100LZ-4/124	3036715011	
	144	187	9.67	8685	3.6	KXCM 453/100LZ-4/144	3036713011	
154	175	9.02	8640	3.6	KXCM 453/100LZ-4/154	3036712011		
176	153	7.92	8505	3.6	KXCM 453/100LZ-4/176	3036710011		
198	136	7.02	8415	3.6	KXCM 453/100LZ-4/198	3036707011		
222	121	6.27	8280	3.6	KXCM 453/100LZ-4/222	3036705011		
20	1348	69.6	5000	0.67	KXCM 403/100LZ-4/20	3036242011		
23	1185	61.19	5300	0.67	KXCM 403/100LZ-4/23	3036240011		
25	1067	55.07	5900	0.72	KXCM 403/100LZ-4/25	3036239011		
28	955	49.3	5600	1	KXCM 403/100LZ-4/28	3036237011		
32	840	43.34	5800	1.1	KXCM 403/100LZ-4/32	3036235011		
36	739	38.14	5950	1.2	KXCM 403/100LZ-4/36	3036234011		
39	688	35.5	6000	1.2	KXCM 403/100LZ-4/39	3036233011		
45	592	30.57	6350	1.5	KXCM 403/100LZ-4/45	3036231011		
52	521	26.88	6400	1.5	KXCM 403/100LZ-4/52	3036230011		
56	483	24.93	6450	1.6	KXCM 403/100LZ-4/56	3036229011		
63	424	21.91	6500	1.6	KXCM 403/100LZ-4/63	3036226011		
73	369	19.04	6550	1.9	KXCM 403/100LZ-4/73	3036223011		
77	348	17.95	6500	1.6	KXCM 403/100LZ-4/77	3036222011		
83	325	16.75	6550	1.9	KXCM 403/100LZ-4/83	3036221011		
100	269	13.91	6500	1.9	KXCM 403/100LZ-4/100	3036218011		
116	233	12.01	6450	1.9	KXCM 403/100LZ-4/116	3036216011		
127	212	10.95	6550	2.5	KXCM 403/100LZ-4/127	3036215011		
144	187	9.63	6450	2.5	KXCM 403/100LZ-4/144	3036213011		
164	164	8.47	6370	2.5	KXCM 403/100LZ-4/164	3036211011		
198	136	7.03	6300	2.5	KXCM 403/100LZ-4/198	3036207011		
229	118	6.07	6200	2.5	KXCM 403/100LZ-4/229	3036205011		

Todos los moto-reductores pueden suministrarse con motor freno (MF). Los códigos indicados son del moto-reductor sin freno.

All geared motors can be supplied with brake motor (MF). The indicated codes are for the geared motor without brake.

Tutti i moto riduttori possono essere consegnati con motore freno (MF). I codici indicati sono del moto riduttore senza freno.

Todos os motoreduores podem ser fornecidos com freio (MF). Os códigos indicados são dos motoreduores sem freio.



STRATEGY - RIDUTTORI ORTOGONALI KX

KXCM-KXCMF

PROGRAMA DE
FABRICACIÓN

MANUFACTURE
PROGRAMME

PROGRAMMA DI
FABBRICAZIONE

PROGRAMA DE
FABRICAÇÃO

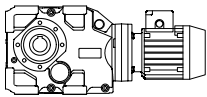
P [kW]	n₂ [1/min]	M₂ [Nm]	i_R	F_{Ra} [N]	f_b	Tipo Type Tipo Tipo	Código Ref. Codice Código	<i>Intens. nominal</i> <i>Nominal intens.</i> <i>Tensione nominale</i> <i>Corrente nominal</i> 400V(A)
3	25	1067	55.07	5310	0.65	KXCM 353/100LZ-4/25	3036139011	(6.8)
	28	955	49.3	5040	0.90	KXCM 353/100LZ-4/28	3036137011	
	32	840	43.34	5220	1	KXCM 353/100LZ-4/32	3036135011	
	36	739	38.14	5355	1	KXCM 353/100LZ-4/36	3036134011	
	39	688	35.5	5400	1	KXCM 353/100LZ-4/39	3036133011	
	45	592	30.57	5715	1.3	KXCM 353/100LZ-4/45	3036131011	
	52	521	26.88	5760	1.3	KXCM 353/100LZ-4/52	3036130011	
	56	483	24.93	5805	1.4	KXCM 353/100LZ-4/56	3036129011	
	63	424	21.91	5850	1.4	KXCM 353/100LZ-4/63	3036126011	
	73	369	19.04	5895	1.7	KXCM 353/100LZ-4/73	3036123011	
	77	348	17.95	5850	1.4	KXCM 353/100LZ-4/77	3036122011	
	83	325	16.75	5895	1.7	KXCM 353/100LZ-4/83	3036121011	
	100	269	13.91	5850	1.7	KXCM 353/100LZ-4/100	3036118011	
	116	233	12.01	5805	1.7	KXCM 353/100LZ-4/116	3036116011	
	127	212	10.95	5895	2.3	KXCM 353/100LZ-4/127	3036115011	
	144	187	9.63	5805	2.3	KXCM 353/100LZ-4/144	3036113011	
	164	164	8.47	5733	2.3	KXCM 353/100LZ-4/164	3036111011	
	198	136	7.03	5670	2.3	KXCM 353/100LZ-4/198	3036107011	
	229	118	6.07	5580	2.3	KXCM 353/100LZ-4/229	3036105011	
	65	413	21.31	3200	0.66	KXCM 303/100LZ-4/65	3036025011	
	70	384	19.83	3000	0.66	KXCM 303/100LZ-4/70	3036024011	
	80	336	17.34	3300	0.66	KXCM 303/100LZ-4/80	3036021011	
91	297	15.33	3200	0.66	KXCM 303/100LZ-4/91	3036019011		
102	265	13.66	3200	0.66	KXCM 303/100LZ-4/102	3036018011		
113	238	12.26	3250	0.66	KXCM 303/100LZ-4/113	3036016011		
131	205	10.6	3350	1.2	KXCM 303/100LZ-4/131	3036015011		
141	191	9.87	3600	1.2	KXCM 303/100LZ-4/141	3036014011		
161	167	8.63	3620	1.2	KXCM 303/100LZ-4/161	3036011011		
182	148	7.62	3620	1.2	KXCM 303/100LZ-4/182	3036008011		
205	132	6.79	3650	1.2	KXCM 303/100LZ-4/205	3036006011		
228	118	6.1	3650	1.2	KXCM 303/100LZ-4/228	3036005011		
4	5.5	6573	174.82	11500	0.70	KXCM 703/132M-6/5.5	3036556036	(10)
	6.3	5713	151.94	6500	0.72	KXCM 703/132M-6/6.3	3036554036	
	6.8	5255	139.78	11500	0.86	KXCM 703/132M-6/6.8	3036553036	
	7.9	4568	121.49	19000	1.1	KXCM 703/132M-6/7.9	3036551036	
	8.1	4452	174.82	19800	1	KXCM 703/112M-4/8.1	3036556012	(8.6)
	9.3	3869	151.94	20300	1.1	KXCM 703/112M-4/9.3	3036554012	
	10	3559	139.78	21000	1.3	KXCM 703/112M-4/10	3036553012	
	11.6	3094	121.49	21200	1.6	KXCM 703/112M-4/11.6	3036551012	
	12.4	2898	113.79	21200	1.6	KXCM 703/112M-4/12.4	3036550012	
	14	2561	100.57	21700	1.8	KXCM 703/112M-4/14	3036548012	
	16	2185	85.8	21800	2.1	KXCM 703/112M-4/16	3036545012	
	18.9	1899	74.57	21600	2.2	KXCM 703/112M-4/18.9	3036543012	
	19.5	1843	72.37	21300	2.2	KXCM 703/112M-4/19.5	3036542012	
	24	1518	59.62	21300	3.2	KXCM 703/112M-4/24	3036540012	

Todos los moto-reductores pueden suministrarse con motor freno (MF).
Los códigos indicados son del moto-reductor sin freno.

All geared motors can be supplied with brake motor (MF).
The indicated codes are for the geared motor without brake.

Tutti i moto riduttori possono essere consegnati con motore freno (MF).
I codici indicati sono del moto riduttore senza freno.

Todos os motoredutores podem ser fornecidos com freio (MF).
Os códigos indicados são dos motoredutores sem freio.



STRATEGY - RIDUTTORI ORTOGONALI KX

KXCM-KXCMF

PROGRAMA DE
FABRICACIÓN

MANUFACTURE
PROGRAMME

PROGRAMMA DI
FABBRICAZIONE

PROGRAMA DE
FABRICAÇÃO

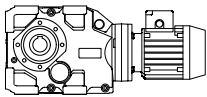
P [kW]	n₂ [1/min]	M₂ [Nm]	i_R	F_{Ra} [N]	f_b	Tipo Type Tipo Tipo	Código Ref. Codice Código	<i>Intens. nominal</i> <i>Nominal intens.</i> <i>Tensione nominale</i> <i>Corrente nominal</i> 400V(A)
4	25	1422	55.84	21200	3.2	KXCM 703/112M-4/25	3036539012	(8.6)
	29	1257	49.36	21100	3.5	KXCM 703/112M-4/29	3036537012	
	35	1023	40.18	20400	3.8	KXCM 703/112M-4/35	3036534012	
	40	905	35.52	20000	3.8	KXCM 703/112M-4/40	3036533012	
	45	806	31.67	19700	3.8	KXCM 703/112M-4/45	3036532012	
	50	724	28.43	19500	3.8	KXCM 703/112M-4/50	3036530012	
	6.3	5713	151.94	5850	0.65	KXCM 653/132M-6/6.3	3036954036	(10)
	6.8	5255	139.78	10350	0.77	KXCM 653/132M-6/6.8	3036953036	
	7.9	4568	121.49	17100	0.96	KXCM 653/132M-6/7.9	3036951036	
	8.1	4452	174.82	17820	0.94	KXCM 653/112M-4/8.1	3036956012	(8.6)
	9.3	3869	151.94	18270	0.98	KXCM 653/112M-4/9.3	3036954012	
	10	3559	139.78	18900	1.2	KXCM 653/112M-4/10	3036953012	
	11.6	3094	121.49	19080	1.4	KXCM 653/112M-4/11.6	3036951012	
	12.4	2898	113.79	19080	1.4	KXCM 653/112M-4/12.4	3036950012	
	14	2561	100.57	19530	1.6	KXCM 653/112M-4/14	3036948012	
	16	2185	85.8	19620	1.8	KXCM 653/112M-4/16	3036945012	
	18.9	1899	74.57	19440	2	KXCM 653/112M-4/18.9	3036943012	
	19.5	1843	72.37	19170	1.9	KXCM 653/112M-4/19.5	3036942012	
	24	1518	59.62	19170	2.9	KXCM 653/112M-4/24	3036940012	
	25	1422	55.84	19080	2.9	KXCM 653/112M-4/25	3036939012	
	29	1257	49.36	18990	3.1	KXCM 653/112M-4/29	3036937012	
	35	1023	40.18	18360	3.4	KXCM 653/112M-4/35	3036934012	
	40	905	35.52	18000	3.4	KXCM 653/112M-4/40	3036933012	
	45	806	31.67	17730	3.4	KXCM 653/112M-4/45	3036932012	
	50	724	28.43	17550	3.4	KXCM 653/112M-4/50	3036930012	
	10	3518	138.16	11000	0.78	KXCM 603/112M-4/10	3036452012	
	11	3275	128.6	11300	0.90	KXCM 603/112M-4/11	3036451012	
	13	2865	112.51	11900	0.92	KXCM 603/112M-4/13	3036450012	
	14	2531	99.4	12800	1.1	KXCM 603/112M-4/14	3036447012	
	15	2356	92.53	13000	1.2	KXCM 603/112M-4/15	3036446012	
17	2061	80.95	13200	1.3	KXCM 603/112M-4/17	3036444012		
21	1721	67.59	13800	1.5	KXCM 603/112M-4/21	3036441012		
22	1602	62.91	13800	1.8	KXCM 603/112M-4/22	3036440012		
26	1402	55.04	13800	1.9	KXCM 603/112M-4/26	3036439012		
29	1238	48.63	14000	2.1	KXCM 603/112M-4/29	3036437012		
31	1153	45.26	14000	2.4	KXCM 603/112M-4/31	3036436012		
36	1008	39.6	13800	2.5	KXCM 603/112M-4/36	3036434012		
10	3518	138.16	9900	0.70	KXCM 553/112M-4/10	3036852012		
11	3275	128.6	10170	0.81	KXCM 553/112M-4/11	3036851012		
13	2865	112.51	10710	0.83	KXCM 553/112M-4/13	3036850012		
14	2531	99.4	11520	0.96	KXCM 553/112M-4/14	3036847012		
15	2356	92.53	11700	1.1	KXCM 553/112M-4/15	3036846012		
17	2061	80.95	11880	1.2	KXCM 553/112M-4/17	3036844012		
21	1721	67.59	12420	1.4	KXCM 553/112M-4/21	3036841012		

Todos los moto-reductores pueden suministrarse con motor freno (MF).
Los códigos indicados son del moto-reductor sin freno.

All geared motors can be supplied with brake motor (MF).
The indicated codes are for the geared motor without brake.

Tutti i moto riduttori possono essere consegnati con motore freno (MF).
I codici indicati sono del moto riduttore senza freno.

Todos os motoredutores podem ser fornecidos com freio (MF).
Os códigos indicados são dos motoredutores sem freio.



STRATEGY - RIDUTTORI ORTOGONALI KX

KXCM-KXCMF

PROGRAMA DE
FABRICACIÓN

MANUFACTURE
PROGRAMME

PROGRAMMA DI
FABBRICAZIONE

PROGRAMA DE
FABRICAÇÃO

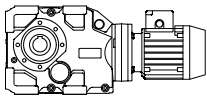
P [kW]	n ₂ [1/min]	M ₂ [Nm]	i _R	F _{Ra} [N]	f _b	Tipo Type Tipo Tipo	Código Ref. Codice Código	Intens. nominal Nominal intens. Tensione nominale Corrente nominal 400V(A)
4	22	1602	62.91	12420	1.6	KXCM 553/112M-4/22	3036840012	(8.6)
	26	1402	55.04	12420	1.7	KXCM 553/112M-4/26	3036839012	
	29	1238	48.63	12600	1.9	KXCM 553/112M-4/29	3036837012	
	31	1153	45.26	12600	2.2	KXCM 553/112M-4/31	3036836012	
	36	1008	39.6	12420	2.3	KXCM 553/112M-4/36	3036834012	
	15	2398	94.16	6000	0.65	KXCM 503/112M-4/15	3036346012	
	16	2237	87.85	7200	0.65	KXCM 503/112M-4/16	3036345012	
	18	1964	77.14	6900	0.65	KXCM 503/112M-4/18	3036343012	
	20	1756	68.95	8000	0.92	KXCM 503/112M-4/20	3036341012	
	24	1513	59.41	8400	0.97	KXCM 503/112M-4/24	3036340012	
	25	1412	55.43	8500	0.97	KXCM 503/112M-4/25	3036339012	
	29	1254	49.25	9100	1.3	KXCM 503/112M-4/29	3036337012	
	33	1080	42.43	9200	1.5	KXCM 503/112M-4/33	3036335012	
	36	1008	39.59	9300	1.5	KXCM 503/112M-4/36	3036334012	
	41	885	34.77	9300	1.5	KXCM 503/112M-4/41	3036333012	
	45	792	31.107	9600	2	KXCM 503/112M-4/45	3036331012	
	53	682	26.8	9600	2.1	KXCM 503/112M-4/53	3036330012	
	56	637	25	9600	2.1	KXCM 503/112M-4/56	3036329012	
	63	566	22.22	9800	2.5	KXCM 503/112M-4/63	3036326012	
	74	487	19.14	9700	3	KXCM 503/112M-4/74	3036323012	
	79	455	17.86	9700	3	KXCM 503/112M-4/79	3036322012	
	90	399	15.68	9600	3	KXCM 503/112M-4/90	3036320012	
102	354	13.89	9500	3	KXCM 503/112M-4/102	3036318012		
114	316	12.41	9400	3	KXCM 503/112M-4/114	3036316012		
126	286	11.22	9500	3	KXCM 503/112M-4/126	3036315012		
146	246	9.67	9350	3	KXCM 503/112M-4/146	3036313012		
156	230	9.02	9300	3	KXCM 503/112M-4/156	3036312012		
178	202	7.92	9200	3	KXCM 503/112M-4/178	3036310012		
201	179	7.02	9100	3	KXCM 503/112M-4/201	3036307012		
225	160	6.27	9000	3	KXCM 503/112M-4/225	3036305012		
20	1756	68.95	7200	0.83	KXCM 453/112M-4/20	3036741012		
24	1513	59.41	7560	0.87	KXCM 453/112M-4/24	3036740012		
25	1412	55.43	7650	0.87	KXCM 453/112M-4/25	3036739012		
29	1254	49.25	8190	1.1	KXCM 453/112M-4/29	3036737012		
33	1080	42.43	8280	1.3	KXCM 453/112M-4/33	3036735012		
36	1008	39.59	8370	1.3	KXCM 453/112M-4/36	3036734012		
41	885	34.77	8370	1.4	KXCM 453/112M-4/41	3036733012		
45	792	31.107	8640	1.8	KXCM 453/112M-4/45	3036731012		
53	682	26.8	8640	1.9	KXCM 453/112M-4/53	3036730012		
56	637	25	8640	1.9	KXCM 453/112M-4/56	3036729012		
63	566	22.22	8820	2.2	KXCM 453/112M-4/63	3036726012		
74	487	19.14	8730	2.7	KXCM 453/112M-4/74	3036723012		
79	455	17.86	8730	2.7	KXCM 453/112M-4/79	3036722012		
90	399	15.68	8640	2.7	KXCM 453/112M-4/90	3036720012		
102	354	13.89	8550	2.7	KXCM 453/112M-4/102	3036718012		
114	316	12.41	8460	2.7	KXCM 453/112M-4/114	3036716012		

Todos los moto-reductores pueden suministrarse con motor freno (MF).
Los códigos indicados son del moto-reductor sin freno.

All geared motors can be supplied with brake motor (MF).
The indicated codes are for the geared motor without brake.

Tutti i moto riduttori possono essere consegnati con motore freno (MF).
I codici indicati sono del moto riduttore senza freno.

Todos os motoredutores podem ser fornecidos com freio (MF).
Os códigos indicados são dos motoredutores sem freio.



STRATEGY - RIDUTTORI ORTOGONALI KX

KXCM-KXCMF

PROGRAMA DE
FABRICACIÓN

MANUFACTURE
PROGRAMME

PROGRAMMA DI
FABBRICAZIONE

PROGRAMA DE
FABRICAÇÃO

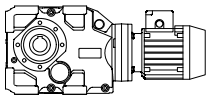
P [kW]	n ₂ [1/min]	M ₂ [Nm]	i _R	F _{Ra} [N]	f _b	Tipo Type Tipo Tipo	Código Ref. Codice Código	Intens. nominal Nominal intens. Tensione nominale Corrente nominal 400V(A)
4	126	286	11.22	8550	2.7	KXCM 453/112M-4/126	3036715012	(8.6)
	146	246	9.67	8415	2.7	KXCM 453/112M-4/146	3036713012	
	156	230	9.02	8370	2.7	KXCM 453/112M-4/156	3036712012	
	178	202	7.92	8280	2.7	KXCM 453/112M-4/178	3036710012	
	201	179	7.02	8190	2.7	KXCM 453/112M-4/201	3036707012	
	225	160	6.27	8100	2.7	KXCM 453/112M-4/225	3036705012	
	29	1255	49.3	4700	0.75	KXCM 403/112M-4/29	3036237012	
	33	1104	43.34	4700	0.85	KXCM 403/112M-4/33	3036235012	
	37	971	38.14	4800	0.86	KXCM 403/112M-4/37	3036234012	
	40	904	35.5	4900	0.86	KXCM 403/112M-4/40	3036233012	
	46	778	30.57	5250	1.1	KXCM 403/112M-4/46	3036231012	
	52	684	26.88	5350	1.1	KXCM 403/112M-4/52	3036230012	
	57	635	24.93	5550	1.2	KXCM 403/112M-4/57	3036229012	
	64	558	21.91	5700	1.2	KXCM 403/112M-4/64	3036226012	
	74	485	19.04	5850	1.4	KXCM 403/112M-4/74	3036223012	
	79	457	17.95	5800	1.2	KXCM 403/112M-4/79	3036222012	
	84	427	16.75	5900	1.5	KXCM 403/112M-4/84	3036221012	
	101	354	13.91	5950	1.5	KXCM 403/112M-4/101	3036218012	
	117	306	12.01	5950	1.5	KXCM 403/112M-4/117	3036216012	
	129	279	10.95	6150	1.9	KXCM 403/112M-4/129	3036215012	
146	245	9.63	6100	1.9	KXCM 403/112M-4/146	3036213012		
166	216	8.47	6050	1.9	KXCM 403/112M-4/166	3036211012		
201	179	7.03	6000	1.9	KXCM 403/112M-4/201	3036207012		
232	155	6.07	5950	1.9	KXCM 403/112M-4/232	3036205012		
29	1255	49.3	4230	0.68	KXCM 353/112M-4/29	3036137012		
33	1104	43.34	4230	0.77	KXCM 353/112M-4/33	3036135012		
37	971	38.14	4320	0.78	KXCM 353/112M-4/37	3036134012		
40	904	35.5	4410	0.78	KXCM 353/112M-4/40	3036133012		
46	778	30.57	4725	0.99	KXCM 353/112M-4/46	3036131012		
52	684	26.88	4815	0.99	KXCM 353/112M-4/52	3036130012		
57	635	24.93	4995	1.1	KXCM 353/112M-4/57	3036129012		
64	558	21.91	5130	1.1	KXCM 353/112M-4/64	3036126012		
74	485	19.04	5265	1.3	KXCM 353/112M-4/74	3036123012		
79	457	17.95	5220	1.1	KXCM 353/112M-4/79	3036122012		
84	427	16.75	5310	1.3	KXCM 353/112M-4/84	3036121012		
101	354	13.91	5355	1.3	KXCM 353/112M-4/101	3036118012		
117	306	12.01	5355	1.3	KXCM 353/112M-4/117	3036116012		
129	279	10.95	5535	1.7	KXCM 353/112M-4/129	3036115012		
146	245	9.63	5490	1.7	KXCM 353/112M-4/146	3036113012		
166	216	8.47	5445	1.7	KXCM 353/112M-4/166	3036111012		
201	179	7.03	5400	1.7	KXCM 353/112M-4/201	3036107012		
232	155	6.07	5355	1.7	KXCM 353/112M-4/232	3036105012		
133	270	10.6	3000	0.88	KXCM 303/112M-4/133	3036015012		
143	251	9.87	3050	0.88	KXCM 303/112M-4/143	3036014012		
163	220	8.63	3150	0.88	KXCM 303/112M-4/163	3036011012		
185	194	7.62	3200	0.88	KXCM 303/112M-4/185	3036008012		

Todos los moto-reductores pueden suministrarse con motor freno (MF).
Los códigos indicados son del moto-reductor sin freno.

All geared motors can be supplied with brake motor (MF).
The indicated codes are for the geared motor without brake.

Tutti i moto riduttori possono essere consegnati con motore freno (MF).
I codici indicati sono del moto riduttore senza freno.

Todos os motoredutores podem ser fornecidos com freio (MF).
Os códigos indicados são dos motoredutores sem freio.



STRATEGY - RIDUTTORI ORTOGONALI KX

KXCM-KXCMF

PROGRAMA DE
FABRICACIÓN

MANUFACTURE
PROGRAMME

PROGRAMMA DI
FABBRICAZIONE

PROGRAMA DE
FABRICAÇÃO

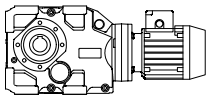
P [kW]	n ₂ [1/min]	M ₂ [Nm]	i _R	F _{Ra} [N]	f _b	Tipo Type Tipo Tipo	Código Ref. Codice Código	Intens. nominal Nominal intens. Tensione nominale Corrente nominal 400V(A)
4	208	173	6.79	3250	0.88	KXCM 303/112M-4/208	3036006012	(8.6)
	231	155	6.1	3300	0.88	KXCM 303/112M-4/231	3036005012	
5.5	5.1	9696	142.39	27200	0.80	KXCM 903/160M-8/5.1	RKX903M000	(14.5)
	5.9	8435	123.87	28300	1	KXCM 903/160M-8/5.9	RKX903M010	
	6.7	7361	142.39	30200	1.1	KXCM 903/132M-6/6.7	RKX903M020	(13)
	7.7	6404	123.87	30700	1.2	KXCM 903/132M-6/7.7	RKX903M030	
	8.8	5638	109.06	30900	1.2	KXCM 903/132M-6/8.8	RKX903M040	(11.5)
	9.4	5272	101.99	31800	1.5	KXCM 903/132M-6/9.4	RKX903M050	
	10	4882	142.39	32000	1.6	KXCM 903/132S-4/10	RKX903M060	(11.5)
	12	4247	123.87	31900	2.1	KXCM 903/132S-4/12	RKX903M070	
	13	3739	109.06	31700	2.3	KXCM 903/132S-4/13	RKX903M080	(11.5)
	14	3497	101.99	32100	2.5	KXCM 903/132S-4/14	RKX903M090	
	16	3042	88.73	31700	2.9	KXCM 903/132S-4/16	RKX903M0A0	(11.5)
	18	2678	78.12	31200	3.3	KXCM 903/132S-4/18	RKX903M0B0	
	20	2440	71.18	30800	3.6	KXCM 903/132S-4/20	RKX903M0C0	(11.5)
	21	2329	67.94	31100	3.7	KXCM 903/132S-4/21	RKX903M0D0	
	24	2026	59.1	30500	4.3	KXCM 903/132S-4/24	RKX903M0E0	(11.5)
	30	1668	48.66	29800	5.2	KXCM 903/132S-4/30	RKX903M0F0	
	34	1452	42.34	29100	6	KXCM 903/132S-4/34	RKX903M0G0	(11.5)
	39	1278	37.27	28500	6.8	KXCM 903/132S-4/39	RKX903M0H0	
	45	1107	32.29	28200	7.9	KXCM 903/132S-4/45	RKX903M0J0	(11.5)
	51	963	28.09	27700	9.1	KXCM 903/132S-4/51	RKX903M0K0	
	58	848	24.74	27200	10	KXCM 903/132S-4/58	RKX903M0L0	(11.5)
	62	793	23.13	27000	11	KXCM 903/132S-4/62	RKX903M0M0	
	72	690	20.12	26500	13	KXCM 903/132S-4/72	RKX903M0N0	(11.5)
	89	553	16.14	25500	16	KXCM 903/132S-4/89	RKX903M0P0	
	102	482	14.06	24900	18	KXCM 903/132S-4/102	RKX903M0Q0	(11.5)
	114	432	12.6	24500	20	KXCM 903/132S-4/114	RKX903M0R0	
	124	399	11.63	24400	22	KXCM 903/132S-4/124	RKX903M0S0	(11.5)
	142	347	10.12	24000	25	KXCM 903/132S-4/142	RKX903M0T0	
	178	278	8.11	23300	31	KXCM 903/132S-4/178	RKX903M0U0	(11.5)
	204	242	7.07	22800	36	KXCM 903/132S-4/204	RKX903M0V0	
	227	217	6.33	22400	40	KXCM 903/132S-4/227	RKX903M0W0	(11.5)
	5.1	9696	142.39	24480	0.72	KXCM 803/160M-8/5.1	RKX803M000	
	5.9	8435	123.87	25470	0.92	KXCM 803/160M-8/5.9	RKX803M010	
	6.7	7361	142.39	27180	1.0	KXCM 803/132M-6/6.7	RKX803M020	(13)
	7.7	6404	123.87	27630	1.1	KXCM 803/132M-6/7.7	RKX803M030	
	8.8	5638	109.06	27810	1.1	KXCM 803/132M-6/8.8	RKX803M040	(11.5)
	9.4	5272	101.99	28620	1.3	KXCM 803/132M-6/9.4	RKX803M050	
	10	4882	142.39	28800	1.4	KXCM 803/132S-4/10	RKX803M060	(11.5)
	12	4247	123.87	28710	1.8	KXCM 803/132S-4/12	RKX803M070	
	13	3739	109.06	28530	2.1	KXCM 803/132S-4/13	RKX803M080	(11.5)
	14	3497	101.99	28890	2.2	KXCM 803/132S-4/14	RKX803M090	

Todos los moto-reductores pueden suministrarse con motor freno (MF). Los códigos indicados son del moto-reductor sin freno.

All geared motors can be supplied with brake motor (MF). The indicated codes are for the geared motor without brake.

Tutti i moto riduttori possono essere consegnati con motore freno (MF). I codici indicati sono del moto riduttore senza freno.

Todos os motoredutores podem ser fornecidos com freio (MF). Os códigos indicados são dos motoredutores sem freio.



STRATEGY - RIDUTTORI ORTOGONALI KX

KXCM-KXCMF

PROGRAMA DE
FABRICACIÓN

MANUFACTURE
PROGRAMME

PROGRAMMA DI
FABBRICAZIONE

PROGRAMA DE
FABRICAÇÃO

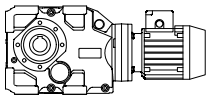
P [kW]	n ₂ [1/min]	M ₂ [Nm]	i _R	F _{Ra} [N]	f _b	Tipo	Código Ref. Codice Código	Intens. nominal Nominal intens. Tensione nominale Corrente nominal 400V(A)
						Type Tipo Tipo		
5.5	16	3042	88.73	28530	2.6	KXCM 803/132S-4/16	RKX803M0A0	(11.5)
	18	2678	78.12	28080	2.9	KXCM 803/132S-4/18	RKX803M0B0	
	20	2440	71.18	27720	3.2	KXCM 803/132S-4/20	RKX803M0C0	
	21	2329	67.94	27990	3.4	KXCM 803/132S-4/21	RKX803M0D0	
	24	2026	59.1	27450	3.9	KXCM 803/132S-4/24	RKX803M0E0	
	30	1668	48.66	26820	4.7	KXCM 803/132S-4/30	RKX803M0F0	
	34	1452	42.34	26190	5	KXCM 803/132S-4/34	RKX803M0G0	
	39	1278	37.27	25650	6.2	KXCM 803/132S-4/39	RKX803M0H0	
	45	1107	32.29	25380	7.1	KXCM 803/132S-4/45	RKX803M0J0	
	51	963	28.09	24930	8.1	KXCM 803/132S-4/51	RKX803M0K0	
	58	848	24.74	24480	9	KXCM 803/132S-4/58	RKX803M0L0	
	62	793	23.13	24300	10	KXCM 803/132S-4/62	RKX803M0M0	
	72	690	20.12	23850	11	KXCM 803/132S-4/72	RKX803M0N0	
	89	553	16.14	22950	14	KXCM 803/132S-4/89	RKX803M0P0	
	102	482	14.06	22410	16	KXCM 803/132S-4/102	RKX803M0Q0	
	114	432	12.6	22050	18	KXCM 803/132S-4/114	RKX803M0R0	
	124	399	11.63	21960	20	KXCM 803/132S-4/124	RKX803M0S0	
	142	347	10.12	21600	23	KXCM 803/132S-4/142	RKX803M0T0	
	178	278	8.11	20970	28	KXCM 803/132S-4/178	RKX803M0U0	
	204	242	7.07	20520	32	KXCM 803/132S-4/204	RKX803M0V0	
	227	217	6.33	20160	36	KXCM 803/132S-4/227	RKX803M0W0	
	8.2	5994	174.82	13800	0.76	KXCM 703/132S-4/8.2	RKX703M000	
9.5	5209	151.94	14900	0.79	KXCM 703/132S-4/9.5	RKX703M010		
10	4792	139.78	16100	0.94	KXCM 703/132S-4/10	RKX703M020		
12	4165	121.49	16900	1.2	KXCM 703/132S-4/12	RKX703M030		
13	3901	113.79	17200	1.2	KXCM 703/132S-4/13	RKX703M040		
14	3448	100.57	18300	1.3	KXCM 703/132S-4/14	RKX703M050		
17	2942	85.8	18800	1.5	KXCM 703/132S-4/17	RKX703M060		
19	2557	74.57	19000	1.6	KXCM 703/132S-4/19	RKX703M070		
20	2481	72.37	18700	1.8	KXCM 703/132S-4/20	RKX703M080		
24	2044	59.62	19200	2.3	KXCM 703/132S-4/24	RKX703M090		
26	1914	55.84	19200	2.3	KXCM 703/132S-4/26	RKX703M0A0		
29	1692	49.36	18400	2.5	KXCM 703/132S-4/29	RKX703M0B0		
36	1378	40.18	19000	3.4	KXCM 703/132S-4/36	RKX703M0C0		
38	1316	38.37	19100	3.2	KXCM 703/132S-4/38	RKX703M0D0		
41	1218	35.52	18700	3.7	KXCM 703/132S-4/41	RKX703M0E0		
45	1086	31.67	18600	3.7	KXCM 703/132S-4/45	RKX703M0F0		
51	975	28.43	18400	3.7	KXCM 703/132S-4/51	RKX703M0G0		
58	856	24.97	18500	4.8	KXCM 703/132S-4/58	RKX703M0H0		
65	757	22.07	18400	5.4	KXCM 703/132S-4/65	RKX703M0J0		
75	658	19.19	18100	5.8	KXCM 703/132S-4/75	RKX703M0K0		
80	616	17.97	18000	5.8	KXCM 703/132S-4/80	RKX703M0L0		
91	544	15.88	17700	5.8	KXCM 703/132S-4/91	RKX703M0M0		
102	485	14.16	17400	5.8	KXCM 703/132S-4/102	RKX703M0N0		
113	436	12.71	17200	5.8	KXCM 703/132S-4/113	RKX703M0P0		
130	379	11.05	17100	5.8	KXCM 703/132S-4/130	RKX703M0Q0		
160	308	8.99	16700	5.8	KXCM 703/132S-4/160	RKX703M0R0		

Todos los moto-reductores pueden suministrarse con motor freno (MF).
Los códigos indicados son del moto-reductor sin freno.

All geared motors can be supplied with brake motor (MF).
The indicated codes are for the geared motor without brake.

Tutti i moto riduttori possono essere consegnati con motore freno (MF).
I codici indicati sono del moto riduttore senza freno.

Todos os motoredutores podem ser fornecidos com freio (MF).
Os códigos indicados são dos motoredutores sem freio.



STRATEGY - RIDUTTORI ORTOGONALI KX

KXCM-KXCMF

PROGRAMA DE
FABRICACIÓN

MANUFACTURE
PROGRAMME

PROGRAMMA DI
FABBRICAZIONE

PROGRAMA DE
FABRICAÇÃO

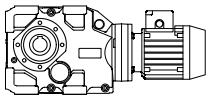
P [kW]	n ₂ [1/min]	M ₂ [Nm]	i _R	F _{Ra} [N]	f _b	Tipo Type Tipo Tipo	Código Ref. Codice Código	Intens. nominal Nominal intens. Tensione nominale Corrente nominal 400V(A)
5.5	181	273	7.95	16400	5.8	KXCM 703/132S-4/181	RKX703M0S0	(11.5)
	203	243	7.09	16200	5.8	KXCM 703/132S-4/203	RKX703M0T0	
	226	218	6.36	16000	5.8	KXCM 703/132S-4/226	RKX703M0U0	
8.2	5994	174.82	12420	0.68	KXCM 653/132S-4/8.2	RKX653M000		
9.5	5209	151.94	13410	0.71	KXCM 653/132S-4/9.5	RKX653M010		
10	4792	139.78	14490	0.84	KXCM 653/132S-4/10	RKX653M020		
12	4165	121.49	15210	1.1	KXCM 653/132S-4/12	RKX653M030		
13	3901	113.79	15480	1.1	KXCM 653/132S-4/13	RKX653M040		
14	3448	100.57	16470	1.2	KXCM 653/132S-4/14	RKX653M050		
17	2942	85.8	16920	1.3	KXCM 653/132S-4/17	RKX653M060		
19	2557	74.57	17100	1.4	KXCM 653/132S-4/19	RKX653M070		
20	2481	72.37	16830	1.7	KXCM 653/132S-4/20	RKX653M080		
24	2044	59.62	17280	2.1	KXCM 653/132S-4/24	RKX653M090		
26	1914	55.84	17280	2.1	KXCM 653/132S-4/26	RKX653M0A0		
29	1692	49.36	16560	2.3	KXCM 653/132S-4/29	RKX653M0B0		
36	1378	40.18	17100	3	KXCM 653/132S-4/36	RKX653M0C0		
38	1316	38.37	17190	2.9	KXCM 653/132S-4/38	RKX653M0D0		
41	1218	35.52	16830	3.3	KXCM 653/132S-4/41	RKX653M0E0		
45	1086	31.67	16740	3.3	KXCM 653/132S-4/45	RKX653M0F0		
51	975	28.43	16560	3.3	KXCM 653/132S-4/51	RKX653M0G0		
58	856	24.97	16650	4.3	KXCM 653/132S-4/58	RKX653M0H0		
65	757	22.07	16560	4.9	KXCM 653/132S-4/65	RKX653M0J0		
75	658	19.19	16290	5.2	KXCM 653/132S-4/75	RKX653M0K0		
80	616	17.97	16200	5.2	KXCM 653/132S-4/80	RKX653M0L0		
91	544	15.88	15930	5.2	KXCM 653/132S-4/91	RKX653M0M0		
102	485	14.16	15660	5.2	KXCM 653/132S-4/102	RKX653M0N0		
113	436	12.71	15480	5.2	KXCM 653/132S-4/113	RKX653M0P0		
130	379	11.05	15390	5.2	KXCM 653/132S-4/130	RKX653M0Q0		
160	308	8.99	15030	5.2	KXCM 653/132S-4/160	RKX653M0R0		
181	273	7.95	14760	5.2	KXCM 653/132S-4/181	RKX653M0S0		
203	243	7.09	14580	5.2	KXCM 653/132S-4/203	RKX653M0T0		
226	218	6.36	14400	5.2	KXCM 653/132S-4/226	RKX653M0U0		
21	2317	67.59	11200	1.1	KXCM 603/132S-4/21	RKX603M000		
23	2157	62.91	11400	1.3	KXCM 603/132S-4/23	RKX603M010		
26	1887	55.04	11700	1.3	KXCM 603/132S-4/26	RKX603M020		
30	1667	48.63	12200	1.5	KXCM 603/132S-4/30	RKX603M030		
32	1552	45.26	12200	1.8	KXCM 603/132S-4/32	RKX603M040		
36	1358	39.6	12200	1.9	KXCM 603/132S-4/36	RKX603M050		
40	1247	36.36	12400	1.9	KXCM 603/132S-4/40	RKX603M060		
46	1071	31.23	12200	2.3	KXCM 603/132S-4/46	RKX603M070		
50	997	29.07	12500	2.6	KXCM 603/132S-4/50	RKX603M080		
57	872	25.43	12500	2.8	KXCM 603/132S-4/57	3036429502		
64	770	22.47	12600	3.2	KXCM 603/132S-4/64	RKX603M090		
69	717	20.92	12600	3.4	KXCM 603/132S-4/69	RKX603M0A0		
79	627	18.3	12500	3.7	KXCM 603/132S-4/79	3036422503		
89	555	16.18	12400	3.4	KXCM 603/132S-4/89	RKX603M0B0		
100	495	14.43	12200	3.7	KXCM 603/132S-4/100	RKX603M0C0		

Todos los moto-reductores pueden suministrarse con motor freno (MF). Los códigos indicados son del moto-reductor sin freno.

All geared motors can be supplied with brake motor (MF). The indicated codes are for the geared motor without brake.

Tutti i moto riduttori possono essere consegnati con motore freno (MF). I codici indicati sono del moto riduttore senza freno.

Todos os motoredutores podem ser fornecidos com freio (MF). Os códigos indicados são dos motoredutores sem freio.



STRATEGY - RIDUTTORI ORTOGONALI KX

KXCM-KXCMF

PROGRAMA DE
FABRICACIÓN

MANUFACTURE
PROGRAMME

PROGRAMMA DI
FABBRICAZIONE

PROGRAMA DE
FABRICAÇÃO

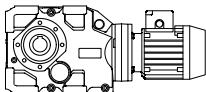
P [kW]	n ₂ [1/min]	M ₂ [Nm]	i _R	F _{Ra} [N]	f _b	Tipo	Código Ref. Codice Código	Intens. nominal Nominal intens. Tensione nominale Corrente nominal 400V(A)
						Type Tipo Tipo		
5.5	111	444	12.96	12100	3.7	KXCM 603/132S-4/111	RKX603M0D0	(11.5)
	128	385	11.24	12100	4.6	KXCM 603/132S-4/128	RKX603M0E0	
	138	359	10.47	12000	4.6	KXCM 603/132S-4/138	RKX603M0F0	
	157	314	9.16	11900	4.6	KXCM 603/132S-4/157	RKX603M0G0	
	178	278	8.1	11700	4.6	KXCM 603/132S-4/178	RKX603M0H0	
	199	248	7.22	11600	4.6	KXCM 603/132S-4/199	RKX603M0J0	
	222	222	6.48	11500	4.6	KXCM 603/132S-4/222	RKX603M0K0	
	21	2317	67.59	10080	1	KXCM 553/132S-4/21	RKX553M000	
	23	2157	62.91	10260	1.2	KXCM 553/132S-4/23	RKX553M010	
	26	1887	55.04	10530	1.2	KXCM 553/132S-4/26	RKX553M020	
	30	1667	48.63	10980	1.4	KXCM 553/132S-4/30	RKX553M030	
	32	1552	45.26	10980	1.6	KXCM 553/132S-4/32	RKX553M040	
	36	1358	39.6	10980	1.7	KXCM 553/132S-4/36	RKX553M050	
	40	1247	36.36	11160	1.7	KXCM 553/132S-4/40	RKX553M060	
	46	1071	31.23	10980	2.1	KXCM 553/132S-4/46	RKX553M070	
	50	997	29.07	11250	2.3	KXCM 553/132S-4/50	RKX553M080	
	57	872	25.43	11250	2.5	KXCM 553/132S-4/57	RKX553M090	
	64	770	22.47	11340	2.9	KXCM 553/132S-4/64	RKX553M0A0	
	69	717	20.92	11340	3	KXCM 553/132S-4/69	RKX553M0B0	
	79	627	18.3	11250	3.4	KXCM 553/132S-4/79	RKX553M0C0	
	89	555	16.18	11160	3	KXCM 553/132S-4/89	RKX553M0D0	
	100	495	14.43	10980	3.4	KXCM 553/132S-4/100	RKX553M0E0	
111	444	12.96	10890	3.4	KXCM 553/132S-4/111	RKX553M0F0		
128	385	11.24	10890	4.2	KXCM 553/132S-4/128	RKX553M0G0		
138	359	10.47	10800	4.2	KXCM 553/132S-4/138	RKX553M0H0		
157	314	9.16	10710	4.2	KXCM 553/132S-4/157	RKX553M0J0		
178	278	8.1	10530	4.2	KXCM 553/132S-4/178	RKX553M0K0		
199	248	7.22	10440	4.2	KXCM 553/132S-4/199	RKX553M0L0		
222	222	6.48	10350	4.2	KXCM 553/132S-4/222	RKX553M0M0		
21	2364	68.95	6800	0.67	KXCM 503/132S-4/21	RKX503M000		
24	2037	59.41	6700	0.70	KXCM 503/132S-4/24	RKX503M010		
26	1900	55.43	6700	0.70	KXCM 503/132S-4/26	RKX503M020		
29	1689	49.25	6700	0.92	KXCM 503/132S-4/29	RKX503M030		
34	1455	42.43	7200	1.1	KXCM 503/132S-4/34	RKX503M040		
36	1357	39.59	7300	1.1	KXCM 503/132S-4/36	RKX503M050		
41	1192	34.77	7600	1.1	KXCM 503/132S-4/41	RKX503M060		
46	1066	31.107	8150	1.4	KXCM 503/132S-4/46	RKX503M070		
54	919	26.8	8300	1.5	KXCM 503/132S-4/54	RKX503M080		
58	857	25	8400	1.5	KXCM 503/132S-4/58	RKX503M090		
65	762	22.22	8700	1.9	KXCM 503/132S-4/65	RKX503M0A0		
75	656	19.14	8800	1.9	KXCM 503/132S-4/75	RKX503M0B0		
81	612	17.86	8800	2.2	KXCM 503/132S-4/81	RKX503M0C0		
92	538	15.68	8800	2.2	KXCM 503/132S-4/92	RKX503M0D0		
104	476	13.89	8800	2.2	KXCM 503/132S-4/104	RKX503M0E0		
116	425	12.41	8750	2.2	KXCM 503/132S-4/116	RKX503M0F0		
128	385	11.22	8950	2.2	KXCM 503/132S-4/128	RKX503M0G0		
149	332	9.67	8900	2.2	KXCM 503/132S-4/149	RKX503M0H0		

Todos los moto-reductores pueden suministrarse con motor freno (MF).
Los códigos indicados son del moto-reductor sin freno.

All geared motors can be supplied with brake motor (MF).
The indicated codes are for the geared motor without brake.

Tutti i moto riduttori possono essere consegnati con motore freno (MF).
I codici indicati sono del moto riduttore senza freno.

Todos os motoredutores podem ser fornecidos com freio (MF).
Os códigos indicados são dos motoredutores sem freio.



STRATEGY - RIDUTTORI ORTOGONALI KX

KXCM-KXCMF

PROGRAMA DE
FABRICACIÓN

MANUFACTURE
PROGRAMME

PROGRAMMA DI
FABBRICAZIONE

PROGRAMA DE
FABRICAÇÃO

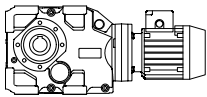
P [kW]	n ₂ [1/min]	M ₂ [Nm]	i _R	F _{Ra} [N]	f _b	Tipo Type Tipo Tipo	Código Ref. Codice Código	Intens. nominal Nominal intens. Tensione nominale Corrente nominal 400V(A)
5.5	160	309	9.02	8850	2.2	KXCM 503/132S-4/160	RKX503M0J0	(11.5)
	182	272	7.92	8800	2.2	KXCM 503/132S-4/182	RKX503M0K0	
	205	241	7.02	8750	2.2	KXCM 503/132S-4/205	RKX503M0L0	
	230	215	6.27	8650	2.2	KXCM 503/132S-4/230	RKX503M0M0	
	29	1689	49.25	6030	0.83	KXCM 453/132S-4/29	RKX453M030	
	34	1455	42.43	6480	0.98	KXCM 453/132S-4/34	RKX453M040	
	36	1357	39.59	6570	0.98	KXCM 453/132S-4/36	RKX453M050	
	41	1192	34.77	6840	0.98	KXCM 453/132S-4/41	RKX453M060	
	46	1066	31.107	7335	1.3	KXCM 453/132S-4/46	RKX453M070	
	54	919	26.8	7470	1.4	KXCM 453/132S-4/54	RKX453M080	
	58	857	25	7560	1.4	KXCM 453/132S-4/58	RKX453M090	
	65	762	22.22	7830	1.8	KXCM 453/132S-4/65	RKX453M0A0	
	75	656	19.14	7920	1.8	KXCM 453/132S-4/75	RKX453M0B0	
	81	612	17.86	7920	2	KXCM 453/132S-4/81	RKX453M0C0	
	92	538	15.68	7920	2	KXCM 453/132S-4/92	3036720500	
	104	476	13.89	7920	2	KXCM 453/132S-4/104	RKX453M0D0	
116	425	12.41	7875	2	KXCM 453/132S-4/116	RKX453M0E0		
128	385	11.22	8055	2	KXCM 453/132S-4/128	RKX453M0F0		
149	332	9.67	8010	2	KXCM 453/132S-4/149	RKX453M0G0		
160	309	9.02	7965	2	KXCM 453/132S-4/160	RKX453M0H0		
182	272	7.92	7920	2	KXCM 453/132S-4/182	RKX453M0J0		
205	241	7.02	7875	2	KXCM 453/132S-4/205	RKX453M0K0		
230	215	6.27	7785	2	KXCM 453/132S-4/230	RKX453M0L0		
7.5	5.9	11502	123.87	19200	0.75	KXCM 903/160L-8/5.9	RKX903M0X0	(18)
	6.7	9985	142.39	22400	0.78	KXCM 903/160M-6/6.7	RKX903M0Y0	(15)
	7.8	8687	123.87	23800	1.0	KXCM 903/160M-6/7.8	RKX903M0Z0	
	8.8	7648	109.06	24800	1.1	KXCM 903/160M-6/8.8	RKX903M100	
	9.4	7152	101.99	26300	1.2	KXCM 903/160M-6/9.4	RKX903M110	
	10	6657	142.39	26800	1.2	KXCM 903/132M-4/10	RKX903M120	
	12	5791	123.87	27300	1.4	KXCM 903/132M-4/12	RKX903M130	
	13	5099	109.06	27600	1.4	KXCM 903/132M-4/13	RKX903M140	
	14	4768	101.99	28400	1.6	KXCM 903/132M-4/14	RKX903M150	
	16	4148	88.73	28400	2.1	KXCM 903/132M-4/16	RKX903M160	
	18	3652	78.12	28300	2.1	KXCM 903/132M-4/18	RKX903M170	
	20	3328	71.18	28100	2.1	KXCM 903/132M-4/20	RKX903M180	
	21	3176	67.94	28700	2.4	KXCM 903/132M-4/21	RKX903M190	
	24	2763	59.1	28300	2.8	KXCM 903/132M-4/24	RKX903M1A0	
	30	2275	48.66	28100	3.3	KXCM 903/132M-4/30	RKX903M1B0	
	34	1979	42.34	27500	4.2	KXCM 903/132M-4/34	RKX903M1C0	
	39	1742	37.27	27100	4.2	KXCM 903/132M-4/39	RKX903M1D0	
	45	1510	32.29	27000	4.8	KXCM 903/132M-4/45	RKX903M1E0	
	51	1313	28.09	26600	5.8	KXCM 903/132M-4/51	RKX903M1F0	
58	1157	24.74	26200	5.8	KXCM 903/132M-4/58	RKX903M1G0		
62	1081	23.13	26200	6.6	KXCM 903/132M-4/62	RKX903M1H0		
72	941	20.12	25700	6.6	KXCM 903/132M-4/72	RKX903M1J0		

Todos los moto-reductores pueden suministrarse con motor freno (MF).
Los códigos indicados son del moto-reductor sin freno.

All geared motors can be supplied with brake motor (MF).
The indicated codes are for the geared motor without brake.

Tutti i moto riduttori possono essere consegnati con motore freno (MF).
I codici indicati sono del moto riduttore senza freno.

Todos os motoredutores podem ser fornecidos com freio (MF).
Os códigos indicados são dos motoredutores sem freio.



STRATEGY - RIDUTTORI ORTOGONALI KX

KXCM-KXCMF

PROGRAMA DE
FABRICACIÓN

MANUFACTURE
PROGRAMME

PROGRAMMA DI
FABBRICAZIONE

PROGRAMA DE
FABRICAÇÃO

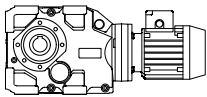
P [kW]	n ₂ [1/min]	M ₂ [Nm]	i _R	F _{Ra} [N]	f _b	Tipo	Código Ref. Codice Código	Intens. nominal Nominal intens. Tensione nominale Corrente nominal 400V(A)
						Type Tipo Tipo		
7.5	89	755	16.14	24900	6.6	KXCM 903/132M-4/89	RKX903M1K0	(15)
	102	657	14.06	24400	6.6	KXCM 903/132M-4/102	RKX903M1L0	
	114	589	12.6	24000	6.6	KXCM 903/132M-4/114	RKX903M1M0	
	124	544	11.63	24000	6.6	KXCM 903/132M-4/124	RKX903M1N0	
	142	473	10.12	23700	6.6	KXCM 903/132M-4/142	RKX903M1P0	
	178	379	8.11	22900	6.6	KXCM 903/132M-4/178	RKX903M1Q0	
	204	331	7.07	22500	6.6	KXCM 903/132M-4/204	RKX903M1R0	
	227	296	6.33	22200	6.6	KXCM 903/132M-4/227	RKX903M1S0	
5.9	11502	123.87	17280	0.68	KXCM 803/160L-8/5.9	RKX803M0X0	(18)	
6.7	9985	142.39	20160	0.70	KXCM 803/160M-6/6.7	RKX803M0Y0	(15)	
7.8	8687	123.87	21420	0.90	KXCM 803/160M-6/7.8	RKX803M0Z0		
8.8	7648	109.06	22320	1	KXCM 803/160M-6/8.8	RKX803M100		
9.4	7152	101.99	23670	1.1	KXCM 803/160M-6/9.4	RKX803M110		
10	6657	142.39	24120	1.1	KXCM 803/132M-4/10	RKX803M120		
12	5791	123.87	24570	1.2	KXCM 803/132M-4/12	RKX803M130		
13	5099	109.06	24840	1.2	KXCM 803/132M-4/13	RKX803M140		
14	4768	101.99	25560	1.4	KXCM 803/132M-4/14	RKX803M150		
16	4148	88.73	25560	1.9	KXCM 803/132M-4/16	RKX803M160		
18	3652	78.12	25470	1.9	KXCM 803/132M-4/18	RKX803M170		
20	3328	71.18	25290	1.9	KXCM 803/132M-4/20	RKX803M180		
21	3176	67.94	25830	2.1	KXCM 803/132M-4/21	RKX803M190		
24	2763	59.1	25470	2.5	KXCM 803/132M-4/24	RKX803M1A0		
30	2275	48.66	25290	2.9	KXCM 803/132M-4/30	RKX803M1B0		
34	1979	42.34	24750	3.8	KXCM 803/132M-4/34	RKX803M1C0		
39	1742	37.27	24390	3.8	KXCM 803/132M-4/39	RKX803M1D0		
45	1510	32.29	24300	4.3	KXCM 803/132M-4/45	RKX803M1E0		
51	1313	28.09	23940	5.3	KXCM 803/132M-4/51	RKX803M1F0		
58	1157	24.74	23580	5.3	KXCM 803/132M-4/58	RKX803M1G0		
62	1081	23.13	23580	5.9	KXCM 803/132M-4/62	RKX803M1H0		
72	941	20.12	23130	6	KXCM 803/132M-4/72	RKX803M1J0		
89	755	16.14	22410	6	KXCM 803/132M-4/89	RKX803M1K0		
102	657	14.06	21960	6	KXCM 803/132M-4/102	RKX803M1L0		
114	589	12.6	21600	6	KXCM 803/132M-4/114	RKX803M1M0		
124	544	11.63	21600	6	KXCM 803/132M-4/124	RKX803M1N0		
142	473	10.12	21330	6	KXCM 803/132M-4/142	RKX803M1P0		
178	379	8.11	20610	6	KXCM 803/132M-4/178	RKX803M1Q0		
204	331	7.07	20250	6	KXCM 803/132M-4/204	RKX803M1R0		
227	296	6.33	19980	6	KXCM 803/132M-4/227	RKX803M1S0		
10	6535	139.78	9600	0.69	KXCM 703/132M-4/10	RKX703M0V0		
12	5680	121.49	11200	0.86	KXCM 703/132M-4/12	RKX703M0W0		
13	5320	113.79	11700	0.86	KXCM 703/132M-4/13	RKX703M0X0		
14	4702	100.57	13600	0.94	KXCM 703/132M-4/14	RKX703M0Y0		
17	4011	85.8	14900	1.1	KXCM 703/132M-4/17	RKX703M0Z0		
19	3486	74.57	15500	1.2	KXCM 703/132M-4/19	RKX703M100		
20	3383	72.37	15200	1.4	KXCM 703/132M-4/20	RKX703M110		

Todos los moto-reductores pueden suministrarse con motor freno (MF). Los códigos indicados son del moto-reductor sin freno.

All geared motors can be supplied with brake motor (MF). The indicated codes are for the geared motor without brake.

Tutti i moto riduttori possono essere consegnati con motore freno (MF). I codici indicati sono del moto riduttore senza freno.

Todos os motoredutores podem ser fornecidos com freio (MF). Os códigos indicados são dos motoredutores sem freio.



STRATEGY - RIDUTTORI ORTOGONALI KX

KXCM-KXCMF

PROGRAMA DE
FABRICACIÓN

MANUFACTURE
PROGRAMME

PROGRAMMA DI
FABBRICAZIONE

PROGRAMA DE
FABRICAÇÃO

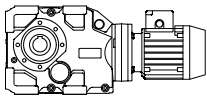
P [kW]	n ₂ [1/min]	M ₂ [Nm]	i _R	F _{Ra} [N]	f _b	Tipo	Código Ref. Codice Código	Intens. nominal Nominal intens. Tensione nominale Corrente nominal 400V(A)	
						Type Tipo Tipo			
7.5	24	2787	59.62	16400	1.7	KXCM 703/132M-4/24	RKX703M120	(15)	
	26	2611	55.84	16500	1.7	KXCM 703/132M-4/26	RKX703M130		
	29	2308	49.36	17100	1.8	KXCM 703/132M-4/29	RKX703M140		
	36	1878	40.18	17100	2.5	KXCM 703/132M-4/36	RKX703M150		
	38	1794	38.37	17300	2.3	KXCM 703/132M-4/38	RKX703M160		
	41	1661	35.52	17000	2.7	KXCM 703/132M-4/41	RKX703M170		
	45	1481	31.67	17000	2.7	KXCM 703/132M-4/45	RKX703M180		
	51	1329	28.43	17000	2.7	KXCM 703/132M-4/51	RKX703M190		
	58	1167	24.97	17300	3.5	KXCM 703/132M-4/58	RKX703M1A0		
	65	1032	22.07	17400	4	KXCM 703/132M-4/65	3036526500		
	75	897	19.19	17200	4.3	KXCM 703/132M-4/75	RKX703M1B0		
	80	840	17.97	17100	4.3	KXCM 703/132M-4/80	RKX703M1C0		
	91	742	15.88	16900	4.3	KXCM 703/132M-4/91	RKX703M1D0		
	102	662	14.16	16700	4.3	KXCM 703/132M-4/102	RKX703M1E0		
	113	594	12.71	16500	4.3	KXCM 703/132M-4/113	RKX703M1F0		
	130	517	11.05	16600	4.3	KXCM 703/132M-4/130	RKX703M1G0		
	160	420	8.99	16200	4.3	KXCM 703/132M-4/160	RKX703M1H0		
	181	372	7.95	16000	4.3	KXCM 703/132M-4/181	RKX703M1J0		
	203	331	7.09	15800	4.3	KXCM 703/132M-4/203	RKX703M1K0		
	226	297	6.36	15600	4.3	KXCM 703/132M-4/226	RKX703M1L0		
	12	5680	121.49	10080	0.77	KXCM 653/132M-4/12	RKX653M0W0		
	13	5320	113.79	10530	0.77	KXCM 653/132M-4/13	RKX653M0X0		
14	4702	100.57	12240	0.85	KXCM 653/132M-4/14	RKX653M0Y0			
17	4011	85.8	13410	0.98	KXCM 653/132M-4/17	RKX653M0Z0			
19	3486	74.57	13950	1	KXCM 653/132M-4/19	RKX653M100			
20	3383	72.37	13680	1.2	KXCM 653/132M-4/20	RKX653M110			
24	2787	59.62	14760	1.5	KXCM 653/132M-4/24	RKX653M120			
26	2611	55.84	14850	1.5	KXCM 653/132M-4/26	RKX653M130			
29	2308	49.36	15390	1.7	KXCM 653/132M-4/29	RKX653M140			
36	1878	40.18	15390	2.2	KXCM 653/132M-4/36	RKX653M150			
38	1794	38.37	15570	2.1	KXCM 653/132M-4/38	RKX653M160			
41	1661	35.52	15300	2.4	KXCM 653/132M-4/41	RKX653M170			
45	1481	31.67	15300	2.4	KXCM 653/132M-4/45	RKX653M180			
51	1329	28.43	15300	2.4	KXCM 653/132M-4/51	RKX653M190			
58	1167	24.97	15570	3.1	KXCM 653/132M-4/58	RKX653M1A0			
65	1032	22.07	15660	3.6	KXCM 653/132M-4/65	RKX653M1B0			
75	897	19.19	15480	3.8	KXCM 653/132M-4/75	RKX653M1C0			
80	840	17.97	15390	3.8	KXCM 653/132M-4/80	RKX653M1D0			
91	742	15.88	15210	3.8	KXCM 653/132M-4/91	RKX653M1E0			
102	662	14.16	15030	3.8	KXCM 653/132M-4/102	RKX653M1F0			
113	594	12.71	14850	3.8	KXCM 653/132M-4/113	RKX653M1G0			
130	517	11.05	14940	3.8	KXCM 653/132M-4/130	RKX653M1H0			
160	420	8.99	14580	3.8	KXCM 653/132M-4/160	RKX653M1J0			
181	372	7.95	14400	3.8	KXCM 653/132M-4/181	RKX653M1K0			
203	331	7.09	14220	3.8	KXCM 653/132M-4/203	RKX653M1L0			
226	297	6.36	14040	3.8	KXCM 653/132M-4/226	RKX653M1M0			
21	3160	67.59	7800	0.82	KXCM 603/132M-4/21	RKX603M0L0			

Todos los moto-reductores pueden suministrarse con motor freno (MF).
Los códigos indicados son del moto-reductor sin freno.

All geared motors can be supplied with brake motor (MF).
The indicated codes are for the geared motor without brake.

Tutti i moto riduttori possono essere consegnati con motore freno (MF).
I codici indicati sono del moto riduttore senza freno.

Todos os motoredutores podem ser fornecidos com freio (MF).
Os códigos indicados são dos motoredutores sem freio.



STRATEGY - RIDUTTORI ORTOGONALI KX

KXCM-KXCMF

PROGRAMA DE
FABRICACIÓN

MANUFACTURE
PROGRAMME

PROGRAMMA DI
FABBRICAZIONE

PROGRAMA DE
FABRICAÇÃO

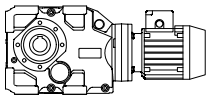
P [kW]	n ₂ [1/min]	M ₂ [Nm]	i _R	F _{Ra} [N]	f _b	Tipo	Código Ref. Codice Código	Intens. nominal Nominal intens. Tensione nominale Corrente nominal 400V(A)
						Type Tipo Tipo		
7.5	23	2941	62.91	8150	0.95	KXCM 603/132M-4/23	RKX603M0M0	(15)
	26	2573	55.04	8750	0.99	KXCM 603/132M-4/26	RKX603M0N0	
	30	2274	48.63	9700	1.1	KXCM 603/132M-4/30	RKX603M0P0	
	32	2116	45.26	9900	1.3	KXCM 603/132M-4/32	RKX603M0Q0	
	36	1851	39.6	10200	1.4	KXCM 603/132M-4/36	3036434500	
	40	1700	36.36	10500	1.4	KXCM 603/132M-4/40	RKX603M0R0	
	46	1460	31.23	10900	1.7	KXCM 603/132M-4/46	RKX603M0S0	
	50	1359	29.07	11000	1.9	KXCM 603/132M-4/50	RKX603M0T0	
	57	1189	25.43	11200	2	KXCM 603/132M-4/57	3036429500	
	64	1051	22.47	11500	2.3	KXCM 603/132M-4/64	RKX603M0U0	
	69	978	20.92	11500	2.5	KXCM 603/132M-4/69	RKX603M0V0	
	79	856	18.3	11500	2.7	KXCM 603/132M-4/79	3036422500	
	89	756	16.18	11500	2.5	KXCM 603/132M-4/89	RKX603M0W0	
	100	675	14.43	11400	2.7	KXCM 603/132M-4/100	RKX603M0X0	
	111	606	12.96	11300	2.7	KXCM 603/132M-4/111	RKX603M0Y0	
	128	525	11.24	11500	3.4	KXCM 603/132M-4/128	RKX603M0Z0	
	138	489	10.47	11500	3.4	KXCM 603/132M-4/138	RKX603M100	
	157	428	9.16	11400	3.4	KXCM 603/132M-4/157	RKX603M110	
	178	379	8.1	11300	3.4	KXCM 603/132M-4/178	RKX603M120	
	199	338	7.22	11200	3.4	KXCM 603/132M-4/199	RKX603M130	
	222	303	6.48	11100	3.4	KXCM 603/132M-4/222	RKX603M140	
	21	3160	67.59	7020	0.74	KXCM 553/132M-4/21	RKX553M0N0	
23	2941	62.91	7335	0.85	KXCM 553/132M-4/23	RKX553M0P0		
26	2573	55.04	7875	0.89	KXCM 553/132M-4/26	RKX553M0Q0		
30	2274	48.63	8730	1	KXCM 553/132M-4/30	RKX553M0R0		
32	2116	45.26	8910	1.2	KXCM 553/132M-4/32	RKX553M0S0		
36	1851	39.6	9180	1.2	KXCM 553/132M-4/36	RKX553M0T0		
40	1700	36.36	9450	1.3	KXCM 553/132M-4/40	RKX553M0U0		
46	1460	31.23	9810	1.5	KXCM 553/132M-4/46	RKX553M0V0		
50	1359	29.07	9900	1.7	KXCM 553/132M-4/50	RKX553M0W0		
57	1189	25.43	10080	1.8	KXCM 553/132M-4/57	RKX553M0X0		
64	1051	22.47	10350	2.1	KXCM 553/132M-4/64	RKX553M0Y0		
69	978	20.92	10350	2.2	KXCM 553/132M-4/69	RKX553M0Z0		
79	856	18.3	10350	2.5	KXCM 553/132M-4/79	RKX553M100		
89	756	16.18	10350	2.2	KXCM 553/132M-4/89	RKX553M110		
100	675	14.43	10260	2.5	KXCM 553/132M-4/100	RKX553M120		
111	606	12.96	10170	2.5	KXCM 553/132M-4/111	RKX553M130		
128	525	11.24	10350	3	KXCM 553/132M-4/128	RKX553M140		
138	489	10.47	10350	3	KXCM 553/132M-4/138	RKX553M150		
157	428	9.16	10260	3	KXCM 553/132M-4/157	RKX553M160		
178	379	8.1	10170	3	KXCM 553/132M-4/178	RKX553M170		
199	338	7.22	10080	3	KXCM 553/132M-4/199	RKX553M180		
222	303	6.48	9990	3	KXCM 553/132M-4/222	RKX553M190		
29	2303	49.25	5600	0.67	KXCM 503/132M-4/29	RKX503M0N0		
34	1984	42.43	5500	0.80	KXCM 503/132M-4/34	RKX503M0P0		
36	1851	39.59	5400	0.80	KXCM 503/132M-4/36	RKX503M0Q0		
41	1626	34.77	5200	0.80	KXCM 503/132M-4/41	RKX503M0R0		

Todos los moto-reductores pueden suministrarse con motor freno (MF). Los códigos indicados son del moto-reductor sin freno.

All geared motors can be supplied with brake motor (MF). The indicated codes are for the geared motor without brake.

Tutti i moto riduttori possono essere consegnati con motore freno (MF). I codici indicati sono del moto riduttore senza freno.

Todos os motoredutores podem ser fornecidos com freio (MF). Os códigos indicados são dos motoredutores sem freio.



STRATEGY - RIDUTTORI ORTOGONALI KX

KXCM-KXCMF

PROGRAMA DE
FABRICACIÓN

MANUFACTURE
PROGRAMME

PROGRAMMA DI
FABBRICAZIONE

PROGRAMA DE
FABRICAÇÃO

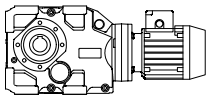
P [kW]	n ₂ [1/min]	M ₂ [Nm]	i _R	F _{Ra} [N]	f _b	Tipo Type Tipo Tipo	Código Ref. Codice Código	Intens. nominal Nominal intens. Tensione nominale Corrente nominal 400V(A)
7.5	46	1454	31.107	6200	1.1	KXCM 503/132M-4/46	RKX503M0S0	(15)
	54	1253	26.8	6600	1.1	KXCM 503/132M-4/54	RKX503M0T0	
	58	1169	25	6800	1.1	KXCM 503/132M-4/58	RKX503M0U0	
	65	1039	22.22	7300	1.4	KXCM 503/132M-4/65	RKX503M0V0	
	75	895	19.14	7600	1.4	KXCM 503/132M-4/75	RKX503M0W0	
	81	835	17.86	7650	1.6	KXCM 503/132M-4/81	RKX503M0X0	
	92	733	15.68	7800	1.6	KXCM 503/132M-4/92	RKX503M0Y0	
	104	649	13.89	7850	1.6	KXCM 503/132M-4/104	RKX503M0Z0	
	116	580	12.41	7900	1.6	KXCM 503/132M-4/116	RKX503M100	
	128	525	11.22	8250	1.6	KXCM 503/132M-4/128	RKX503M110	
	149	452	9.67	8250	1.6	KXCM 503/132M-4/149	RKX503M120	
	160	422	9.02	8250	1.6	KXCM 503/132M-4/160	RKX503M130	
	182	370	7.92	8250	1.6	KXCM 503/132M-4/182	RKX503M140	
	205	328	7.02	8250	1.6	KXCM 503/132M-4/205	RKX503M150	
	230	293	6.27	8200	1.6	KXCM 503/132M-4/230	RKX503M160	
	34	1984	42.43	4950	0.72	KXCM 453/132M-4/34	RKX453M0N0	
	36	1851	39.59	4860	0.72	KXCM 453/132M-4/36	RKX453M0P0	
	41	1626	34.77	4680	0.72	KXCM 453/132M-4/41	RKX453M0Q0	
	46	1454	31.107	5580	0.95	KXCM 453/132M-4/46	RKX453M0R0	
	54	1253	26.8	5940	1	KXCM 453/132M-4/54	RKX453M0S0	
58	1169	25	6120	1	KXCM 453/132M-4/58	RKX453M0T0		
65	1039	22.22	6570	1.3	KXCM 453/132M-4/65	RKX453M0U0		
75	895	19.14	6840	1.3	KXCM 453/132M-4/75	RKX453M0V0		
81	835	17.86	6885	1.4	KXCM 453/132M-4/81	RKX453M0W0		
92	733	15.68	7020	1.4	KXCM 453/132M-4/92	RKX453M0X0		
104	649	13.89	7065	1.4	KXCM 453/132M-4/104	RKX453M0Y0		
116	580	12.41	7110	1.4	KXCM 453/132M-4/116	RKX453M0Z0		
128	525	11.22	7425	1.4	KXCM 453/132M-4/128	RKX453M100		
149	452	9.67	7425	1.4	KXCM 453/132M-4/149	RKX453M110		
160	422	9.02	7425	1.4	KXCM 453/132M-4/160	RKX453M120		
182	370	7.92	7425	1.4	KXCM 453/132M-4/182	RKX453M130		
205	328	7.02	7425	1.4	KXCM 453/132M-4/205	RKX453M140		
230	293	6.27	7380	1.4	KXCM 453/132M-4/230	RKX453M150		
9.2	10	8166	142.39	22400	0.96	KXCM 903/132MB-4/10	RKX903M1T0	(18.5)
	12	7104	123.87	23400	1.1	KXCM 903/132MB-4/12	RKX903M1U0	
	13	6254	109.06	24100	1.1	KXCM 903/132MB-4/13	RKX903M1V0	
	14	5849	101.99	25200	1.3	KXCM 903/132MB-4/14	RKX903M1W0	
	16	5089	88.73	25600	1.7	KXCM 903/132MB-4/16	RKX903M1X0	
	18	4480	78.12	25800	1.7	KXCM 903/132MB-4/18	RKX903M1Y0	
	20	4082	71.18	25800	1.7	KXCM 903/132MB-4/20	RKX903M1Z0	
	21	3896	67.94	26600	1.9	KXCM 903/132MB-4/21	RKX903M200	
	24	3389	59.1	26500	2.3	KXCM 903/132MB-4/24	RKX903M210	
	30	2791	48.66	26600	2.7	KXCM 903/132MB-4/30	RKX903M220	
	34	2428	42.34	26200	3.4	KXCM 903/132MB-4/34	RKX903M230	
	39	2137	37.27	25900	3.4	KXCM 903/132MB-4/39	RKX903M240	

Todos los moto-reductores pueden suministrarse con motor freno (MF). Los códigos indicados son del moto-reductor sin freno.

All geared motors can be supplied with brake motor (MF). The indicated codes are for the geared motor without brake.

Tutti i moto riduttori possono essere consegnati con motore freno (MF). I codici indicati sono del moto riduttore senza freno.

Todos os motoredutores podem ser fornecidos com freio (MF). Os códigos indicados são dos motoredutores sem freio.



STRATEGY - RIDUTTORI ORTOGONALI KX

KXCM-KXCMF

PROGRAMA DE
FABRICACIÓN

MANUFACTURE
PROGRAMME

PROGRAMMA DI
FABBRICAZIONE

PROGRAMA DE
FABRICAÇÃO

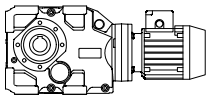
P [kW]	n ₂ [1/min]	M ₂ [Nm]	i _R	F _{Ra} [N]	f _b	Tipo Type Tipo Tipo	Código Ref. Codice Código	Intens. nominal Nominal intens. Tensione nominale Corrente nominal 400V(A)
9.2	45	1852	32.29	26100	3.9	KXCM 903/132MB-4/45	RKX903M250	(18.5)
	51	1611	28.09	25800	4.8	KXCM 903/132MB-4/51	RKX903M260	
	58	1419	24.74	25400	4.8	KXCM 903/132MB-4/58	RKX903M270	
	62	1326	23.13	25500	5.4	KXCM 903/132MB-4/62	RKX903M280	
	72	1154	20.12	25100	5.4	KXCM 903/132MB-4/72	RKX903M290	
	89	926	16.14	24400	5.4	KXCM 903/132MB-4/89	RKX903M2A0	
	102	806	14.06	23900	5.4	KXCM 903/132MB-4/102	RKX903M2B0	
	114	723	12.6	23600	5.4	KXCM 903/132MB-4/114	RKX903M2C0	
	124	667	11.63	23700	5.4	KXCM 903/132MB-4/124	RKX903M2D0	
	142	580	10.12	23300	5.4	KXCM 903/132MB-4/142	RKX903M2E0	
	178	465	8.11	22700	5.4	KXCM 903/132MB-4/178	RKX903M2F0	
	204	405	7.07	22300	5.4	KXCM 903/132MB-4/204	RKX903M2G0	
	227	363	6.33	22000	5.4	KXCM 903/132MB-4/227	RKX903M2H0	
	10	8166	142.39	20160	0.86	KXCM 803/132MB-4/10	RKX803M1T0	
	12	7104	123.87	21060	1.0	KXCM 803/132MB-4/12	RKX803M1U0	
	13	6254	109.06	21690	1.0	KXCM 803/132MB-4/13	RKX803M1V0	
	14	5849	101.99	22680	1.2	KXCM 803/132MB-4/14	RKX803M1W0	
	16	5089	88.73	23040	1.5	KXCM 803/132MB-4/16	RKX803M1X0	
	18	4480	78.12	23220	1.6	KXCM 803/132MB-4/18	RKX803M1Y0	
	20	4082	71.18	23220	1.6	KXCM 803/132MB-4/20	RKX803M1Z0	
	21	3896	67.94	23940	1.7	KXCM 803/132MB-4/21	RKX803M200	
	24	3389	59.1	23850	2.1	KXCM 803/132MB-4/24	RKX803M210	
30	2791	48.66	23940	2.4	KXCM 803/132MB-4/30	RKX803M220		
34	2428	42.34	23580	3.1	KXCM 803/132MB-4/34	RKX803M230		
39	2137	37.27	23310	3.1	KXCM 803/132MB-4/39	RKX803M240		
45	1852	32.29	23490	3.5	KXCM 803/132MB-4/45	RKX803M250		
51	1611	28.09	23220	4.3	KXCM 803/132MB-4/51	RKX803M260		
58	1419	24.74	22860	4.3	KXCM 803/132MB-4/58	RKX803M270		
62	1326	23.13	22950	4.8	KXCM 803/132MB-4/62	RKX803M280		
72	1154	20.12	22590	4.9	KXCM 803/132MB-4/72	RKX803M290		
89	926	16.14	21960	4.9	KXCM 803/132MB-4/89	RKX803M2A0		
102	806	14.06	21510	4.9	KXCM 803/132MB-4/102	RKX803M2B0		
114	723	12.6	21240	4.9	KXCM 803/132MB-4/114	RKX803M2C0		
124	667	11.63	21330	4.9	KXCM 803/132MB-4/124	RKX803M2D0		
142	580	10.12	20970	4.9	KXCM 803/132MB-4/142	RKX803M2E0		
178	465	8.11	20430	4.9	KXCM 803/132MB-4/178	RKX803M2F0		
204	405	7.07	20070	4.9	KXCM 803/132MB-4/204	RKX803M2G0		
227	363	6.33	19800	4.9	KXCM 803/132MB-4/227	RKX803M2H0		
12	6967	121.49	7200	0.70	KXCM 703/132MB-4/12	RKX703M1M0		
13	6526	113.79	8900	0.70	KXCM 703/132MB-4/13	RKX703M1N0		
14	5768	100.57	10000	0.77	KXCM 703/132MB-4/14	RKX703M1P0		
17	4921	85.8	11600	0.89	KXCM 703/132MB-4/17	RKX703M1Q0		
19	4277	74.57	12500	0.95	KXCM 703/132MB-4/19	RKX703M1R0		
20	4150	72.37	12200	1.1	KXCM 703/132MB-4/20	RKX703M1S0		
24	3419	59.62	14100	1.4	KXCM 703/132MB-4/24	RKX703M1T0		
26	3202	55.84	14300	1.4	KXCM 703/132MB-4/26	RKX703M1U0		

Todos los moto-reductores pueden suministrarse con motor freno (MF).
Los códigos indicados son del moto-reductor sin freno.

All geared motors can be supplied with brake motor (MF).
The indicated codes are for the geared motor without brake.

Tutti i moto riduttori possono essere consegnati con motore freno (MF).
I codici indicati sono del moto riduttore senza freno.

Todos os motoredutores podem ser fornecidos com freio (MF).
Os códigos indicados são dos motoredutores sem freio.



STRATEGY - RIDUTTORI ORTOGONALI KX

KXCM-KXCMF

PROGRAMA DE
FABRICACIÓN

MANUFACTURE
PROGRAMME

PROGRAMMA DI
FABBRICAZIONE

PROGRAMA DE
FABRICAÇÃO

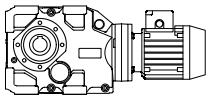
P [kW]	n ₂ [1/min]	M ₂ [Nm]	i _R	F _{Ra} [N]	f _b	Tipo Type Tipo Tipo	Código Ref. Codice Código	Intens. nominal Nominal intens. Tensione nominale Corrente nominal 400V(A)	
9.2	29	2831	49.36	15200	1.5	KXCM 703/132MB-4/29	RKX703M1V0	(18.5)	
	36	2304	40.18	15500	2	KXCM 703/132MB-4/36	RKX703M1W0		
	38	2200	38.37	15800	1.9	KXCM 703/132MB-4/38	RKX703M1X0		
	41	2037	35.52	15500	2.2	KXCM 703/132MB-4/41	RKX703M1Y0		
	45	1816	31.67	15700	2.2	KXCM 703/132MB-4/45	RKX703M1Z0		
	51	1630	28.43	15700	2.2	KXCM 703/132MB-4/51	RKX703M200		
	58	1432	24.97	16300	2.8	KXCM 703/132MB-4/58	RKX703M210		
	65	1266	22.07	16600	3.2	KXCM 703/132MB-4/65	RKX703M220		
	75	1101	19.19	16500	3.5	KXCM 703/132MB-4/75	RKX703M230		
	80	1031	17.97	16400	3.5	KXCM 703/132MB-4/80	RKX703M240		
	91	911	15.88	16300	3.5	KXCM 703/132MB-4/91	RKX703M250		
	102	812	14.16	16100	3.5	KXCM 703/132MB-4/102	RKX703M260		
	113	729	12.71	16000	3.5	KXCM 703/132MB-4/113	RKX703M270		
	130	634	11.05	16100	3.5	KXCM 703/132MB-4/130	RKX703M280		
	160	516	8.99	15800	3.5	KXCM 703/132MB-4/160	RKX703M290		
	181	456	7.95	15700	3.5	KXCM 703/132MB-4/181	RKX703M2A0		
	203	407	7.09	15500	3.5	KXCM 703/132MB-4/203	RKX703M2B0		
	226	365	6.36	15400	3.5	KXCM 703/132MB-4/226	RKX703M2C0		
	14	5768	100.57	9000	0.69	KXCM 653/132MB-4/14	RKX653M1Q0		
	17	4921	85.8	10440	0.80	KXCM 653/132MB-4/17	RKX653M1R0		
	19	4277	74.57	11250	0.85	KXCM 653/132MB-4/19	RKX653M1S0		
	20	4150	72.37	10980	0.99	KXCM 653/132MB-4/20	RKX653M1T0		
24	3419	59.62	12690	1.3	KXCM 653/132MB-4/24	RKX653M1U0			
26	3202	55.84	12870	1.3	KXCM 653/132MB-4/26	RKX653M1V0			
29	2831	49.36	13680	1.4	KXCM 653/132MB-4/29	RKX653M1W0			
36	2304	40.18	13950	1.8	KXCM 653/132MB-4/36	RKX653M1X0			
38	2200	38.37	14220	1.7	KXCM 653/132MB-4/38	RKX653M1Y0			
41	2037	35.52	13950	2	KXCM 653/132MB-4/41	RKX653M1Z0			
45	1816	31.67	14130	2	KXCM 653/132MB-4/45	RKX653M200			
51	1630	28.43	14130	2	KXCM 653/132MB-4/51	RKX653M210			
58	1432	24.97	14670	2.6	KXCM 653/132MB-4/58	RKX653M220			
65	1266	22.07	14940	2.9	KXCM 653/132MB-4/65	RKX653M230			
75	1101	19.19	14850	3.1	KXCM 653/132MB-4/75	RKX653M240			
80	1031	17.97	14760	3.1	KXCM 653/132MB-4/80	RKX653M250			
91	911	15.88	14670	3.1	KXCM 653/132MB-4/91	RKX653M260			
102	812	14.16	14490	3.1	KXCM 653/132MB-4/102	RKX653M270			
113	729	12.71	14400	3.1	KXCM 653/132MB-4/113	RKX653M280			
130	634	11.05	14490	3.1	KXCM 653/132MB-4/130	RKX653M290			
160	516	8.99	14220	3.1	KXCM 653/132MB-4/160	RKX653M2A0			
181	456	7.95	14130	3.1	KXCM 653/132MB-4/181	RKX653M2B0			
203	407	7.09	13950	3.1	KXCM 653/132MB-4/203	RKX653M2C0			
226	365	6.36	13860	3.1	KXCM 653/132MB-4/226	RKX653M2D0			
21	3876	67.59	7500	0.67	KXCM 603/132MB-4/21	RKX603M150			
23	3608	62.91	6000	0.77	KXCM 603/132MB-4/23	RKX603M160			
26	3156	55.04	7000	0.80	KXCM 603/132MB-4/26	RKX603M170			
30	2789	48.63	7500	0.91	KXCM 603/132MB-4/30	RKX603M180			
32	2596	45.26	7900	1.1	KXCM 603/132MB-4/32	RKX603M190			

Todos los moto-reductores pueden suministrarse con motor freno (MF). Los códigos indicados son del moto-reductor sin freno.

All geared motors can be supplied with brake motor (MF). The indicated codes are for the geared motor without brake.

Tutti i moto riduttori possono essere consegnati con motore freno (MF). I codici indicati sono del moto riduttore senza freno.

Todos os motoredutores podem ser fornecidos com freio (MF). Os códigos indicados são dos motoredutores sem freio.



STRATEGY - RIDUTTORI ORTOGONALI KX

KXCM-KXCMF

PROGRAMA DE
FABRICACIÓN

MANUFACTURE
PROGRAMME

PROGRAMMA DI
FABBRICAZIONE

PROGRAMA DE
FABRICAÇÃO

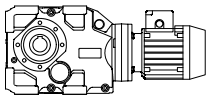
P [kW]	n ₂ [1/min]	M ₂ [Nm]	i _R	F _{Ra} [N]	f _b	Tipo Type Tipo Tipo	Código Ref. Codice Código	Intens. nominal Nominal intens. Tensione nominale Corrente nominal 400V(A)
9.2	36	2271	39.6	8400	1.1	KXCM 603/132MB-4/36	RKX603M1A0	(18.5)
	40	2085	36.36	8900	1.2	KXCM 603/132MB-4/40	RKX603M1B0	
	46	1791	31.23	9000	1.4	KXCM 603/132MB-4/46	RKX603M1C0	
	50	1667	29.07	9700	1.6	KXCM 603/132MB-4/50	RKX603M1D0	
	57	1458	25.43	10000	1.7	KXCM 603/132MB-4/57	RKX603M1E0	
	64	1289	22.47	10500	1.9	KXCM 603/132MB-4/64	RKX603M1F0	
	69	1200	20.92	10600	2	KXCM 603/132MB-4/69	RKX603M1G0	
	79	1049	18.3	10700	2.2	KXCM 603/132MB-4/79	3036422504	
	89	928	16.18	10700	2	KXCM 603/132MB-4/89	RKX603M1H0	
	100	828	14.43	10700	2.2	KXCM 603/132MB-4/100	RKX603M1J0	
	111	743	12.96	10700	2.2	KXCM 603/132MB-4/111	RKX603M1K0	
	128	645	11.24	11000	2.8	KXCM 603/132MB-4/128	RKX603M1L0	
	138	600	10.47	11000	2.8	KXCM 603/132MB-4/138	RKX603M1M0	
	157	525	9.16	11000	2.8	KXCM 603/132MB-4/157	RKX603M1N0	
	178	465	8.1	10900	2.8	KXCM 603/132MB-4/178	RKX603M1P0	
	199	414	7.22	10900	2.8	KXCM 603/132MB-4/199	RKX603M1Q0	
	222	372	6.48	10800	2.8	KXCM 603/132MB-4/222	RKX603M1R0	
	23	3608	62.91	5400	0.70	KXCM 553/132MB-4/23	RKX553M1B0	
	26	3156	55.04	6300	0.72	KXCM 553/132MB-4/26	RKX553M1C0	
	30	2789	48.63	6750	0.82	KXCM 553/132MB-4/30	RKX553M1D0	
	32	2596	45.26	7110	0.95	KXCM 553/132MB-4/32	RKX553M1E0	
	36	2271	39.6	7560	1	KXCM 553/132MB-4/36	RKX553M1F0	
40	2085	36.36	8010	1	KXCM 553/132MB-4/40	RKX553M1G0		
46	1791	31.23	8100	1.3	KXCM 553/132MB-4/46	RKX553M1H0		
50	1667	29.07	8730	1.4	KXCM 553/132MB-4/50	RKX553M1J0		
57	1458	25.43	9000	1.5	KXCM 553/132MB-4/57	RKX553M1K0		
64	1289	22.47	9450	1.7	KXCM 553/132MB-4/64	RKX553M1L0		
69	1200	20.92	9540	1.8	KXCM 553/132MB-4/69	RKX553M1M0		
79	1049	18.3	9630	2	KXCM 553/132MB-4/79	RKX553M1N0		
89	928	16.18	9630	1.8	KXCM 553/132MB-4/89	RKX553M1P0		
100	828	14.43	9630	2	KXCM 553/132MB-4/100	RKX553M1Q0		
111	743	12.96	9630	2	KXCM 553/132MB-4/111	RKX553M1R0		
128	645	11.24	9900	2.5	KXCM 553/132MB-4/128	RKX553M1S0		
138	600	10.47	9900	2.5	KXCM 553/132MB-4/138	RKX553M1T0		
157	525	9.16	9900	2.5	KXCM 553/132MB-4/157	RKX553M1U0		
178	465	8.1	9810	2.5	KXCM 553/132MB-4/178	RKX553M1V0		
199	414	7.22	9810	2.5	KXCM 553/132MB-4/199	RKX553M1W0		
222	372	6.48	9720	2.5	KXCM 553/132MB-4/222	RKX553M1X0		
34	2433	42.43	5000	0.65	KXCM 503/132MB-4/34	RKX503M170		
36	2270	39.59	5000	0.65	KXCM 503/132MB-4/36	RKX503M180		
41	1994	34.77	5000	0.65	KXCM 503/132MB-4/41	RKX503M190		
46	1784	31.107	5100	0.86	KXCM 503/132MB-4/46	RKX503M1A0		
54	1537	26.8	5100	0.93	KXCM 503/132MB-4/54	RKX503M1B0		
58	1434	25	5400	0.93	KXCM 503/132MB-4/58	RKX503M1C0		
65	1274	22.22	6100	1.2	KXCM 503/132MB-4/65	RKX503M1D0		
75	1098	19.14	6500	1.2	KXCM 503/132MB-4/75	RKX503M1E0		
81	1024	17.86	6700	1.3	KXCM 503/132MB-4/81	RKX503M1F0		

Todos los moto-reductores pueden suministrarse con motor freno (MF). Los códigos indicados son del moto-reductor sin freno.

All geared motors can be supplied with brake motor (MF). The indicated codes are for the geared motor without brake.

Tutti i moto riduttori possono essere consegnati con motore freno (MF). I codici indicati sono del moto riduttore senza freno.

Todos os motoredutores podem ser fornecidos com freio (MF). Os códigos indicados são dos motoredutores sem freio.



STRATEGY - RIDUTTORI ORTOGONALI KX

KXCM-KXCMF

PROGRAMA DE
FABRICACIÓN

MANUFACTURE
PROGRAMME

PROGRAMMA DI
FABBRICAZIONE

PROGRAMA DE
FABRICAÇÃO

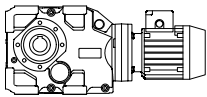
P [kW]	n ₂ [1/min]	M ₂ [Nm]	i _R	F _{Ra} [N]	f _b	Tipo Type Tipo Tipo	Código Ref. Codice Código	Intens. nominal Nominal intens. Tensione nominale Corrente nominal 400V(A)
9.2	92	899	15.68	6900	1.3	KXCM 503/132MB-4/92	RKX503M1G0	(18.5)
	104	797	13.89	7050	1.3	KXCM 503/132MB-4/104	RKX503M1H0	
	116	712	12.41	7150	1.3	KXCM 503/132MB-4/116	RKX503M1J0	
	128	643	11.22	7650	1.3	KXCM 503/132MB-4/128	RKX503M1K0	
	149	555	9.67	7750	1.3	KXCM 503/132MB-4/149	RKX503M1L0	
	160	517	9.02	7750	1.3	KXCM 503/132MB-4/160	RKX503M1M0	
	182	454	7.92	7800	1.3	KXCM 503/132MB-4/182	RKX503M1N0	
	205	403	7.02	7850	1.3	KXCM 503/132MB-4/205	RKX503M1P0	
	230	360	6.27	7850	1.3	KXCM 503/132MB-4/230	RKX503M1Q0	
	46	1784	31.107	4590	0.77	KXCM 453/132MB-4/46	RKX453M190	
	54	1537	26.8	4590	0.83	KXCM 453/132MB-4/54	RKX453M1A0	
	58	1434	25	4860	0.83	KXCM 453/132MB-4/58	RKX453M1B0	
	65	1274	22.22	5490	1	KXCM 453/132MB-4/65	RKX453M1C0	
	75	1098	19.14	5850	1	KXCM 453/132MB-4/75	RKX453M1D0	
	81	1024	17.86	6030	1.2	KXCM 453/132MB-4/81	RKX453M1E0	
	92	899	15.68	6210	1.2	KXCM 453/132MB-4/92	RKX453M1F0	
	104	797	13.89	6345	1.2	KXCM 453/132MB-4/104	RKX453M1G0	
	116	712	12.41	6435	1.2	KXCM 453/132MB-4/116	RKX453M1H0	
	128	643	11.22	6885	1.2	KXCM 453/132MB-4/128	RKX453M1J0	
	149	555	9.67	6975	1.2	KXCM 453/132MB-4/149	RKX453M1K0	
160	517	9.02	6975	1.2	KXCM 453/132MB-4/160	RKX453M1L0		
182	454	7.92	7020	1.2	KXCM 453/132MB-4/182	RKX453M1M0		
205	403	7.02	7065	1.2	KXCM 453/132MB-4/205	RKX453M1N0		
230	360	6.27	7065	1.2	KXCM 453/132MB-4/230	RKX453M1P0		
11	7.8	12674	123.87	11800	0.68	KXCM 903/160L-6/7.8	RKX903M2J0	(22)
	8.8	11159	109.06	13900	0.78	KXCM 903/160L-6/8.8	RKX903M2K0	
	9.5	10436	101.99	16600	0.83	KXCM 903/160L-6/9.5	RKX903M2L0	
	10	9630	142.39	17800	0.80	KXCM 903/160M-4/10	RKX903M2M0	(22.5)
	12	8377	123.87	19300	1	KXCM 903/160M-4/12	RKX903M2N0	
	13	7376	109.06	20400	1.2	KXCM 903/160M-4/13	RKX903M2P0	
	14	6898	101.99	21900	1.2	KXCM 903/160M-4/14	RKX903M2Q0	
	16	6001	88.73	22700	1.4	KXCM 903/160M-4/16	RKX903M2R0	
	19	5283	78.12	23100	1.6	KXCM 903/160M-4/19	RKX903M2S0	
	20.5	4814	71.18	23300	1.8	KXCM 903/160M-4/21	RKX903M2T0	
	21.5	4595	67.94	24400	1.9	KXCM 903/160M-4/21.5	RKX903M2U0	
	25	3997	59.1	24500	2.2	KXCM 903/160M-4/25	RKX903M2V0	
	30	3291	48.66	25000	2.6	KXCM 903/160M-4/30	RKX903M2W0	
	34	2863	42.34	24800	3	KXCM 903/160M-4/34	RKX903M2X0	
	39	2521	37.27	24600	3.4	KXCM 903/160M-4/39	RKX903M2Y0	
	45	2184	32.29	25000	3.9	KXCM 903/160M-4/45	RKX903M2Z0	
	52	1900	28.09	24800	4.5	KXCM 903/160M-4/52	RKX903M300	
	59	1673	24.74	24600	5.1	KXCM 903/160M-4/59	RKX903M310	
	63	1564	23.13	24700	5.5	KXCM 903/160M-4/63	RKX903M320	
	73	1361	20.12	24400	6.3	KXCM 903/160M-4/73	RKX903M330	
90	1092	16.14	23800	7.9	KXCM 903/160M-4/90	RKX903M340		

Todos los moto-reductores pueden suministrarse con motor freno (MF). Los códigos indicados son del moto-reductor sin freno.

All geared motors can be supplied with brake motor (MF). The indicated codes are for the geared motor without brake.

Tutti i moto riduttori possono essere consegnati con motore freno (MF). I codici indicati sono del moto riduttore senza freno.

Todos os motoredutores podem ser fornecidos com freio (MF). Os códigos indicados são dos motoredutores sem freio.



STRATEGY - RIDUTTORI ORTOGONALI KX

KXCM-KXCMF

PROGRAMA DE
FABRICACIÓN

MANUFACTURE
PROGRAMME

PROGRAMMA DI
FABBRICAZIONE

PROGRAMA DE
FABRICAÇÃO

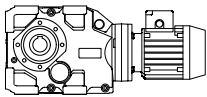
P [kW]	n ₂ [1/min]	M ₂ [Nm]	i _R	F _{Ra} [N]	f _b	Tipo Type Tipo Tipo	Código Ref. Codice Código	Intens. nominal Nominal intens. Tensione nominale Corrente nominal 400V(A)
11	104	951	14.06	23400	9.1	KXCM 903/160M-4/104	RKX903M350	(22.5)
	116	852	12.6	23100	10	KXCM 903/160M-4/116	RKX903M360	
	126	787	11.63	23300	11	KXCM 903/160M-4/126	RKX903M370	
	144	684	10.12	23000	13	KXCM 903/160M-4/144	RKX903M380	
	180	548	8.11	22400	16	KXCM 903/160M-4/180	RKX903M390	
	207	478	7.07	22000	18	KXCM 903/160M-4/207	RKX903M3A0	
	231	428	6.33	21700	20	KXCM 903/160M-4/231	RKX903M3B0	
8.8	11159	109.06	12510	0.70	KXCM 803/160L-6/8.8	RKX803M2K0	(22)	
9.5	10436	101.99	14940	0.75	KXCM 803/160L-6/9.5	RKX803M2L0		
10	9630	142.39	16020	0.72	KXCM 803/160M-4/10	RKX803M2M0	(22.5)	
12	8377	123.87	17370	0.92	KXCM 803/160M-4/12	RKX803M2N0		
13	7376	109.06	18360	1	KXCM 803/160M-4/13	RKX803M2P0		
14	6898	101.99	19710	1.1	KXCM 803/160M-4/14	RKX803M2Q0		
16	6001	88.73	20430	1.3	KXCM 803/160M-4/16	RKX803M2R0		
19	5283	78.12	20790	1.5	KXCM 803/160M-4/19	RKX803M2S0		
20.5	4814	71.18	20970	1.6	KXCM 803/160M-4/21	RKX803M2T0		
21.5	4595	67.94	21960	1.7	KXCM 803/160M-4/21.5	RKX803M2U0		
25	3997	59.1	22050	1.9	KXCM 803/160M-4/25	RKX803M2V0		
30	3291	48.66	22500	2.4	KXCM 803/160M-4/30	RKX803M2W0		
34	2863	42.34	22320	2.7	KXCM 803/160M-4/34	RKX803M2X0		
39	2521	37.27	22140	3.1	KXCM 803/160M-4/39	RKX803M2Y0		
45	2184	32.29	22500	3.6	KXCM 803/160M-4/45	RKX803M2Z0		
52	1900	28.09	22320	4.1	KXCM 803/160M-4/52	RKX803M300		
59	1673	24.74	22140	4.6	KXCM 803/160M-4/59	RKX803M310		
63	1564	23.13	22230	5	KXCM 803/160M-4/63	RKX803M320		
73	1361	20.12	21960	5.7	KXCM 803/160M-4/73	RKX803M330		
90	1092	16.14	21420	7.1	KXCM 803/160M-4/90	RKX803M340		
104	951	14.06	21060	8.1	KXCM 803/160M-4/104	RKX803M350		
116	852	12.6	20790	9.1	KXCM 803/160M-4/116	RKX803M360		
126	787	11.63	20970	9.9	KXCM 803/160M-4/126	RKX803M370		
144	684	10.12	20700	11	KXCM 803/160M-4/144	RKX803M380		
180	548	8.11	20160	14	KXCM 803/160M-4/180	RKX803M390		
207	478	7.07	19800	16	KXCM 803/160M-4/207	RKX803M3A0		
231	428	6.33	19530	18	KXCM 803/160M-4/231	RKX803M3B0		
16	6100	59.62	2300	0.78	KXCM 703/160L-6/16	RKX703M2D0	(22)	
17	5803	85.8	7950	0.75	KXCM 703/160M-4/17	RKX703M2E0	(22.5)	
20	5043	74.57	9400	0.79	KXCM 703/160M-4/20	RKX703M2F0		
24	4032	59.62	11600	1.2	KXCM 703/160M-4/24	RKX703M2G0		
26	3776	55.84	11900	1.2	KXCM 703/160M-4/26	3036539500		
30	3338	49.36	13100	1.3	KXCM 703/160M-4/30	RKX703M2H0		
36	2717	40.18	13800	1.7	KXCM 703/160M-4/36	RKX703M2J0		
38	2595	38.37	14300	1.6	KXCM 703/160M-4/38	RKX703M2K0		
41	2402	35.52	14000	1.9	KXCM 703/160M-4/41	RKX703M2L0		
46	2142	31.67	14300	1.9	KXCM 703/160M-4/46	RKX703M2M0		
51	1923	28.43	14400	1.9	KXCM 703/160M-4/51	RKX703M2N0		

Todos los moto-reductores pueden suministrarse con motor freno (MF).
Los códigos indicados son del moto-reductor sin freno.

All geared motors can be supplied with brake motor (MF).
The indicated codes are for the geared motor without brake.

Tutti i moto riduttori possono essere consegnati con motore freno (MF).
I codici indicati sono del moto riduttore senza freno.

Todos os motoredutores podem ser fornecidos com freio (MF).
Os códigos indicados são dos motoredutores sem freio.



STRATEGY - RIDUTTORI ORTOGONALI KX

KXCM-KXCMF

PROGRAMA DE
FABRICACIÓN

MANUFACTURE
PROGRAMME

PROGRAMMA DI
FABBRICAZIONE

PROGRAMA DE
FABRICAÇÃO

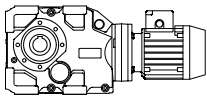
P [kW]	n₂ [1/min]	M₂ [Nm]	i_R	F_{Ra} [N]	f_b	Tipo Type Tipo Tipo	Código Ref. Codice Código	<i>Intens. nominal</i> <i>Nominal intens.</i> <i>Tensione nominale</i> <i>Corrente nominal</i> 400V(A)	
11	58	1689	24.97	15300	2.4	KXCM 703/160M-4/58	<i>RKX703M2P0</i>	(22.5)	
	66	1493	22.07	15700	2.7	KXCM 703/160M-4/66	<i>RKX703M2Q0</i>		
	76	1298	19.19	15700	3.3	KXCM 703/160M-4/76	<i>RKX703M2R0</i>		
	81	1215	17.97	15700	3.6	KXCM 703/160M-4/81	<i>RKX703M2S0</i>		
	92	1074	15.88	15600	3.6	KXCM 703/160M-4/92	<i>RKX703M2T0</i>		
	103	958	14.16	15500	3.6	KXCM 703/160M-4/103	<i>RKX703M2U0</i>		
	115	860	12.71	15400	3.6	KXCM 703/160M-4/115	<i>RKX703M2V0</i>		
	132	747	11.05	15700	4.1	KXCM 703/160M-4/132	<i>RKX703M2W0</i>		
	162	608	8.99	15500	4.1	KXCM 703/160M-4/162	<i>RKX703M2X0</i>		
	184	538	7.95	15400	4.1	KXCM 703/160M-4/184	<i>RKX703M2Y0</i>		
	206	479	7.09	15200	4.1	KXCM 703/160M-4/206	<i>RKX703M2Z0</i>		
	230	430	6.36	15100	4.1	KXCM 703/160M-4/230	<i>RKX703M300</i>		
	16	6100	59.62	2070	0.70	KXCM 653/160L-6/16	<i>RKX653M2E0</i>		(22)
	17	5803	85.8	7155	0.67	KXCM 653/160M-4/17	<i>RKX653M2F0</i>		(22.5)
	20	5043	74.57	8460	0.71	KXCM 653/160M-4/20	<i>RKX653M2G0</i>		
	24	4032	59.62	10440	1.1	KXCM 653/160M-4/24	<i>RKX653M2H0</i>		
	26	3776	55.84	10710	1.1	KXCM 653/160M-4/26	<i>RKX653M2J0</i>		
	30	3338	49.36	11790	1.1	KXCM 653/160M-4/30	<i>RKX653M2K0</i>		
	36	2717	40.18	12420	1.5	KXCM 653/160M-4/36	<i>RKX653M2L0</i>		
	38	2595	38.37	12870	1.4	KXCM 653/160M-4/38	<i>RKX653M2M0</i>		
	41	2402	35.52	12600	1.7	KXCM 653/160M-4/41	<i>RKX653M2N0</i>		
	46	2142	31.67	12870	1.7	KXCM 653/160M-4/46	<i>RKX653M2P0</i>		
	51	1923	28.43	12960	1.7	KXCM 653/160M-4/51	<i>RKX653M2Q0</i>		
58	1689	24.97	13770	2.1	KXCM 653/160M-4/58	<i>RKX653M2R0</i>			
66	1493	22.07	14130	2.4	KXCM 653/160M-4/66	<i>RKX653M2S0</i>			
76	1298	19.19	14130	2.9	KXCM 653/160M-4/76	<i>RKX653M2T0</i>			
81	1215	17.97	14130	3.3	KXCM 653/160M-4/81	<i>RKX653M2U0</i>			
92	1074	15.88	14040	3.3	KXCM 653/160M-4/92	<i>RKX653M2V0</i>			
103	958	14.16	13950	3.3	KXCM 653/160M-4/103	<i>RKX653M2W0</i>			
115	860	12.71	13860	3.3	KXCM 653/160M-4/115	<i>RKX653M2X0</i>			
132	747	11.05	14130	3.7	KXCM 653/160M-4/132	<i>RKX653M2Y0</i>			
162	608	8.99	13950	3.7	KXCM 653/160M-4/162	<i>RKX653M2Z0</i>			
184	538	7.95	13860	3.7	KXCM 653/160M-4/184	<i>RKX653M300</i>			
206	479	7.09	13680	3.7	KXCM 653/160M-4/206	<i>RKX653M310</i>			
230	430	6.36	13590	3.7	KXCM 653/160M-4/230	<i>RKX653M320</i>			
40	2459	36.36	7200	0.97	KXCM 603/160M-4/40	<i>RKX603M1S0</i>			
47	2112	31.23	7400	1.2	KXCM 603/160M-4/47	<i>RKX603M1T0</i>			
50	1966	29.07	8400	1.3	KXCM 603/160M-4/50	<i>RKX603M1U0</i>			
57	1720	25.43	8800	1.4	KXCM 603/160M-4/57	<i>RKX603M1V0</i>			
65	1520	22.47	9500	1.6	KXCM 603/160M-4/65	<i>RKX603M1W0</i>			
70	1415	20.92	9600	1.7	KXCM 603/160M-4/70	<i>RKX603M1X0</i>			
80	1238	18.3	9800	1.8	KXCM 603/160M-4/80	<i>RKX603M1Y0</i>			
90	1094	16.18	9950	1.8	KXCM 603/160M-4/90	<i>RKX603M1Z0</i>			
101	976	14.43	10000	1.9	KXCM 603/160M-4/101	<i>RKX603M200</i>			
113	876	12.96	10100	1.9	KXCM 603/160M-4/113	<i>RKX603M210</i>			

Todos los moto-reductores pueden suministrarse con motor freno (MF).
Los códigos indicados son del moto-reductor sin freno.

All geared motors can be supplied with brake motor (MF).
The indicated codes are for the geared motor without brake.

Tutti i moto riduttori possono essere consegnati con motore freno (MF).
I codici indicati sono del moto riduttore senza freno.

Todos os motoredutores podem ser fornecidos com freio (MF).
Os códigos indicados são dos motoredutores sem freio.



STRATEGY - RIDUTTORI ORTOGONALI KX

KXCM-KXCMF

PROGRAMA DE
FABRICACIÓN

MANUFACTURE
PROGRAMME

PROGRAMMA DI
FABBRICAZIONE

PROGRAMA DE
FABRICAÇÃO

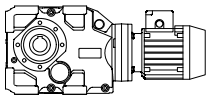
P [kW]	n ₂ [1/min]	M ₂ [Nm]	i _R	F _{Ra} [N]	f _b	Tipo Type Tipo Tipo	Código Ref. Codice Código	Intens. nominal Nominal intens. Tensione nominale Corrente nominal 400V(A)
11	130	760	11.24	10500	2.3	KXCM 603/160M-4/130	RKX603M220	(22.5)
	139	708	10.47	10500	2.3	KXCM 603/160M-4/139	RKX603M230	
	159	619	9.16	10600	2.3	KXCM 603/160M-4/159	RKX603M240	
	180	548	8.1	10500	2.3	KXCM 603/160M-4/180	RKX603M250	
	202	488	7.22	10500	2.3	KXCM 603/160M-4/202	RKX603M260	
	225	438	6.48	10500	2.3	KXCM 603/160M-4/225	RKX603M270	
	40	2459	36.36	6480	0.87	KXCM 553/160M-4/40	RKX553M1Y0	
	47	2112	31.23	6660	1	KXCM 553/160M-4/47	RKX553M1Z0	
	50	1966	29.07	7560	1.2	KXCM 553/160M-4/50	RKX553M200	
	57	1720	25.43	7920	1.3	KXCM 553/160M-4/57	RKX553M210	
	65	1520	22.47	8550	1.4	KXCM 553/160M-4/65	RKX553M220	
	70	1415	20.92	8640	1.5	KXCM 553/160M-4/70	RKX553M230	
	80	1238	18.3	8820	1.6	KXCM 553/160M-4/80	3036822500	
	90	1094	16.18	8955	1.6	KXCM 553/160M-4/90	RKX553M240	
	101	976	14.43	9000	1.7	KXCM 553/160M-4/101	RKX553M250	
	113	876	12.96	9090	1.7	KXCM 553/160M-4/113	RKX553M260	
	130	760	11.24	9450	2.1	KXCM 553/160M-4/130	RKX553M270	
	139	708	10.47	9450	2.1	KXCM 553/160M-4/139	RKX553M280	
	159	619	9.16	9540	2.1	KXCM 553/160M-4/159	RKX553M290	
	180	548	8.1	9450	2.1	KXCM 553/160M-4/180	RKX553M2A0	
	202	488	7.22	9450	2.1	KXCM 553/160M-4/202	RKX553M2B0	
	225	438	6.48	9450	2.1	KXCM 553/160M-4/225	RKX553M2C0	
15	12	11424	123.87	10100	0.75	KXCM 903/160L-4/12	RKX903M3C0	(30)
	13	10058	109.06	12100	0.85	KXCM 903/160L-4/13	RKX903M3D0	
	14	9406	101.99	14500	0.91	KXCM 903/160L-4/14	RKX903M3E0	
	16	8183	88.73	16100	1.1	KXCM 903/160L-4/16	RKX903M3F0	
	19	7204	78.12	17200	1.2	KXCM 903/160L-4/19	RKX903M3G0	
	20.5	6564	71.18	17800	1.3	KXCM 903/160L-4/20.5	RKX903M3H0	
	21.5	6266	67.94	19400	1.4	KXCM 903/160L-4/21.5	RKX903M3J0	
	25	5450	59.1	20100	1.6	KXCM 903/160L-4/25	RKX903M3K0	
	30	4488	48.66	21500	1.9	KXCM 903/160L-4/30	RKX903M3L0	
	34	3905	42.34	21700	2.2	KXCM 903/160L-4/34	RKX903M3M0	
	39	3437	37.27	21800	2.5	KXCM 903/160L-4/39	RKX903M3N0	
	45	2978	32.29	22700	2.9	KXCM 903/160L-4/45	RKX903M3P0	
	52	2591	28.09	22800	3.3	KXCM 903/160L-4/52	RKX903M3Q0	
	59	2282	24.74	22700	3.8	KXCM 903/160L-4/59	RKX903M3R0	
	63	2133	23.13	23000	4	KXCM 903/160L-4/63	RKX903M3S0	
	73	1856	20.12	22900	4.6	KXCM 903/160L-4/73	RKX903M3T0	
	90	1488	16.14	22600	5.8	KXCM 903/160L-4/90	RKX903M3U0	
	104	1297	14.06	22300	6.6	KXCM 903/160L-4/104	RKX903M3V0	
	116	1162	12.6	22100	7.4	KXCM 903/160L-4/116	RKX903M3W0	
	126	1073	11.63	22400	8	KXCM 903/160L-4/126	RKX903M3X0	
	144	933	10.12	22200	9.2	KXCM 903/160L-4/144	RKX903M3Y0	
180	748	8.11	21800	12	KXCM 903/160L-4/180	RKX903M3Z0		
207	652	7.07	21500	13	KXCM 903/160L-4/207	RKX903M400		
231	584	6.33	21200	15	KXCM 903/160L-4/231	RKX903M410		

Todos los moto-reductores pueden suministrarse con motor freno (MF). Los códigos indicados son del moto-reductor sin freno.

All geared motors can be supplied with brake motor (MF). The indicated codes are for the geared motor without brake.

Tutti i moto riduttori possono essere consegnati con motore freno (MF). I codici indicati sono del moto riduttore senza freno.

Todos os motoredutores podem ser fornecidos com freio (MF). Os códigos indicados são dos motoredutores sem freio.



STRATEGY - RIDUTTORI ORTOGONALI KX

KXCM-KXCMF

PROGRAMA DE
FABRICACIÓN

MANUFACTURE
PROGRAMME

PROGRAMMA DI
FABBRICAZIONE

PROGRAMA DE
FABRICAÇÃO

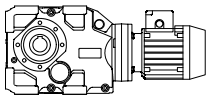
P [kW]	n ₂ [1/min]	M ₂ [Nm]	i _R	F _{Ra} [N]	f _b	Tipo Type Tipo Tipo	Código Ref. Codice Código	Intens. nominal Nominal intens. Tensione nominale Corrente nominal 400V(A)
15	12	11424	123.87	9090	0.68	KXCM 803/160L-4/12	RKX803M3C0	(30)
	13	10058	109.06	10890	0.77	KXCM 803/160L-4/13	RKX803M3D0	
	14	9406	101.99	13050	0.82	KXCM 803/160L-4/14	RKX803M3E0	
	16	8183	88.73	14490	0.95	KXCM 803/160L-4/16	RKX803M3F0	
	19	7204	78.12	15480	1.1	KXCM 803/160L-4/19	RKX803M3G0	
	20.5	6564	71.18	16020	1.2	KXCM 803/160L-4/20.5	RKX803M3H0	
	21.5	6266	67.94	17460	1.2	KXCM 803/160L-4/21.5	RKX803M3J0	
	25	5450	59.1	18090	1.4	KXCM 803/160L-4/25	RKX803M3K0	
	30	4488	48.66	19350	1.7	KXCM 803/160L-4/30	RKX803M3L0	
	34	3905	42.34	19530	2	KXCM 803/160L-4/34	RKX803M3M0	
	39	3437	37.27	19620	2.3	KXCM 803/160L-4/39	RKX803M3N0	
	45	2978	32.29	20430	2.6	KXCM 803/160L-4/45	RKX803M3P0	
	52	2591	28.09	20520	3	KXCM 803/160L-4/52	RKX803M3Q0	
	59	2282	24.74	20430	3.4	KXCM 803/160L-4/59	RKX803M3R0	
	63	2133	23.13	20700	3.6	KXCM 803/160L-4/63	RKX803M3S0	
	73	1856	20.12	20610	4.2	KXCM 803/160L-4/73	RKX803M3T0	
	90	1488	16.14	20340	5.2	KXCM 803/160L-4/90	RKX803M3U0	
	104	1297	14.06	20070	6	KXCM 803/160L-4/104	RKX803M3V0	
	116	1162	12.6	19890	6.7	KXCM 803/160L-4/116	RKX803M3W0	
	126	1073	11.63	20160	7.2	KXCM 803/160L-4/126	RKX803M3X0	
	144	933	10.12	19980	8.3	KXCM 803/160L-4/144	RKX803M3Y0	
	180	748	8.11	19620	10	KXCM 803/160L-4/180	RKX803M3Z0	
	207	652	7.07	19350	12	KXCM 803/160L-4/207	RKX803M400	
231	584	6.33	19080	13	KXCM 803/160L-4/231	RKX803M410		
24	5498	59.62	6000	0.86	KXCM 703/160L-4/24	RKX703M310		
26	5150	55.84	6600	0.86	KXCM 703/160L-4/26	RKX703M320		
30	4552	49.36	8600	0.92	KXCM 703/160L-4/30	RKX703M330		
36	3706	40.18	10000	1.2	KXCM 703/160L-4/36	RKX703M340		
38	3539	38.37	10700	1.2	KXCM 703/160L-4/38	RKX703M350		
41	3276	35.52	10600	1.4	KXCM 703/160L-4/41	RKX703M360		
46	2921	31.67	11100	1.4	KXCM 703/160L-4/46	RKX703M370		
51	2622	28.43	11600	1.4	KXCM 703/160L-4/51	3036530500		
58	2303	24.97	12900	1.7	KXCM 703/160L-4/58	3036529500		
66	2035	22.07	13600	2	KXCM 703/160L-4/66	3036526501		
76	1770	19.19	13900	2.4	KXCM 703/160L-4/76	RKX703M380		
81	1657	17.97	14000	2.7	KXCM 703/160L-4/81	RKX703M390		
92	1464	15.88	14100	2.7	KXCM 703/160L-4/92	RKX703M3A0		
103	1306	14.16	14100	2.7	KXCM 703/160L-4/103	RKX703M3B0		
115	1172	12.71	14100	2.7	KXCM 703/160L-4/115	RKX703M3C0		
132	1019	11.05	14700	3	KXCM 703/160L-4/132	RKX703M3D0		
162	829	8.99	14600	3	KXCM 703/160L-4/162	RKX703M3E0		
184	733	7.95	14600	3	KXCM 703/160L-4/184	RKX703M3F0		
206	654	7.09	14500	3	KXCM 703/160L-4/206	RKX703M3G0		
230	587	6.36	14400	3	KXCM 703/160L-4/230	RKX703M3H0		
24	5498	59.62	5400	0.77	KXCM 653/160L-4/24	RKX653M330		
26	5150	55.84	5940	0.77	KXCM 653/160L-4/26	RKX653M340		
30	4552	49.36	7740	0.83	KXCM 653/160L-4/30	RKX653M350		

Todos los moto-reductores pueden suministrarse con motor freno (MF). Los códigos indicados son del moto-reductor sin freno.

All geared motors can be supplied with brake motor (MF). The indicated codes are for the geared motor without brake.

Tutti i moto riduttori possono essere consegnati con motore freno (MF). I codici indicati sono del moto riduttore senza freno.

Todos os motoredutores podem ser fornecidos com freio (MF). Os códigos indicados são dos motoredutores sem freio.



STRATEGY - RIDUTTORI ORTOGONALI KX

KXCM-KXCMF

PROGRAMA DE
FABRICACIÓN

MANUFACTURE
PROGRAMME

PROGRAMMA DI
FABBRICAZIONE

PROGRAMA DE
FABRICAÇÃO

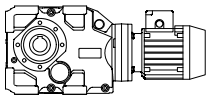
P [kW]	n ₂ [1/min]	M ₂ [Nm]	i _R	F _{Ra} [N]	f _b	Tipo	Código Ref. Codice Código	Intens. nominal Nominal intens. Tensione nominale Corrente nominal 400V(A)	
						Type Tipo Tipo			
15	36	3706	40.18	9000	1.1	KXCM 653/160L-4/36	RKX653M360	(30)	
	38	3539	38.37	9630	1.1	KXCM 653/160L-4/38	RKX653M370		
	41	3276	35.52	9540	1.2	KXCM 653/160L-4/41	RKX653M380		
	46	2921	31.67	9990	1.2	KXCM 653/160L-4/46	RKX653M390		
	51	2622	28.43	10440	1.2	KXCM 653/160L-4/51	RKX653M3A0		
	58	2303	24.97	11610	1.6	KXCM 653/160L-4/58	RKX653M3B0		
	66	2035	22.07	12240	1.8	KXCM 653/160L-4/66	3036926500		
	76	1770	19.19	12510	2.2	KXCM 653/160L-4/76	RKX653M3C0		
	81	1657	17.97	12600	2.4	KXCM 653/160L-4/81	RKX653M3D0		
	92	1464	15.88	12690	2.4	KXCM 653/160L-4/92	RKX653M3E0		
	103	1306	14.16	12690	2.4	KXCM 653/160L-4/103	RKX653M3F0		
	115	1172	12.71	12690	2.4	KXCM 653/160L-4/115	RKX653M3G0		
	132	1019	11.05	13230	2.7	KXCM 653/160L-4/132	RKX653M3H0		
	162	829	8.99	13140	2.7	KXCM 653/160L-4/162	RKX653M3J0		
	184	733	7.95	13140	2.7	KXCM 653/160L-4/184	RKX653M3K0		
	206	654	7.09	13050	2.7	KXCM 653/160L-4/206	RKX653M3L0		
	230	587	6.36	12960	2.7	KXCM 653/160L-4/230	RKX653M3M0		
	40	3353	36.36	5000	0.71	KXCM 603/160L-4/40	RKX603M280		
	47	2880	31.23	5000	0.85	KXCM 603/160L-4/47	RKX603M290		
	50	2681	29.07	5700	0.95	KXCM 603/160L-4/50	RKX603M2A0		
	57	2345	25.43	6100	1	KXCM 603/160L-4/57	RKX603M2B0		
	65	2072	22.47	7200	1.2	KXCM 603/160L-4/65	RKX603M2C0		
	70	1929	20.92	7400	1.3	KXCM 603/160L-4/70	RKX603M2D0		
80	1688	18.3	7900	1.3	KXCM 603/160L-4/80	RKX603M2E0			
90	1492	16.18	8200	1.3	KXCM 603/160L-4/90	RKX603M2F0			
101	1331	14.43	8400	1.4	KXCM 603/160L-4/101	RKX603M2G0			
113	1195	12.96	8600	1.4	KXCM 603/160L-4/113	RKX603M2H0			
130	1037	11.24	9400	1.7	KXCM 603/160L-4/130	RKX603M2J0			
139	966	10.47	9450	1.7	KXCM 603/160L-4/139	RKX603M2K0			
159	845	9.16	9600	1.7	KXCM 603/160L-4/159	RKX603M2L0			
180	747	8.1	9700	1.7	KXCM 603/160L-4/180	RKX603M2M0			
202	666	7.22	9700	1.7	KXCM 603/160L-4/202	RKX603M2N0			
225	598	6.48	9750	1.7	KXCM 603/160L-4/225	RKX603M2P0			
47	2880	31.23	4500	0.77	KXCM 553/160L-4/47	RKX553M2E0			
50	2681	29.07	5130	0.86	KXCM 553/160L-4/50	RKX553M2F0			
57	2345	25.43	5490	0.92	KXCM 553/160L-4/57	RKX553M2G0			
65	2072	22.47	6480	1.1	KXCM 553/160L-4/65	RKX553M2H0			
70	1929	20.92	6660	1.1	KXCM 553/160L-4/70	RKX553M2J0			
80	1688	18.3	7110	1.2	KXCM 553/160L-4/80	RKX553M2K0			
90	1492	16.18	7380	1.2	KXCM 553/160L-4/90	RKX553M2L0			
101	1331	14.43	7560	1.2	KXCM 553/160L-4/101	RKX553M2M0			
113	1195	12.96	7740	1.2	KXCM 553/160L-4/113	RKX553M2N0			
130	1037	11.24	8460	1.5	KXCM 553/160L-4/130	RKX553M2P0			
139	966	10.47	8505	1.5	KXCM 553/160L-4/139	RKX553M2Q0			
159	845	9.16	8640	1.5	KXCM 553/160L-4/159	RKX553M2R0			
180	747	8.1	8730	1.5	KXCM 553/160L-4/180	RKX553M2S0			

Todos los moto-reductores pueden suministrarse con motor freno (MF).
Los códigos indicados son del moto-reductor sin freno.

All geared motors can be supplied with brake motor (MF).
The indicated codes are for the geared motor without brake.

Tutti i moto riduttori possono essere consegnati con motore freno (MF).
I codici indicati sono del moto riduttore senza freno.

Todos os motoredutores podem ser fornecidos com freio (MF).
Os códigos indicados são dos motoredutores sem freio.



STRATEGY - RIDUTTORI ORTOGONALI KX

KXCM-KXCMF

PROGRAMA DE
FABRICACIÓN

MANUFACTURE
PROGRAMME

PROGRAMMA DI
FABBRICAZIONE

PROGRAMA DE
FABRICAÇÃO

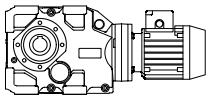
P [kW]	n ₂ [1/min]	M ₂ [Nm]	i _R	F _{Ra} [N]	f _b	Tipo	Código Ref. Codice Código	Intens. nominal Nominal intens. Tensione nominale Corrente nominal 400V(A)	
						Type Tipo Tipo			
15	202	666	7.22	8730	1.5	KXCM 553/160L-4/202	RKX553M2T0	(30)	
	225	598	6.48	8775	1.5	KXCM 553/160L-4/225	RKX553M2U0		
18.5	21	7728	67.94	15100	0.96	KXCM 903/180M-4/21	RKX903M420	(36)	
	25	6722	59.1	16300	1.1	KXCM 903/180M-4/25	RKX903M430		
	30	5535	48.66	18400	1.3	KXCM 903/180M-4/30	RKX903M440		
	34	4816	42.34	18900	1.7	KXCM 903/180M-4/34	RKX903M450		
	39	4239	37.27	19400	1.8	KXCM 903/180M-4/39	RKX903M460		
	45	3673	32.29	20600	1.9	KXCM 903/180M-4/45	RKX903M470		
	52	3195	28.09	20900	2.4	KXCM 903/180M-4/52	RKX903M480		
	59	2814	24.74	21100	2.4	KXCM 903/180M-4/59	RKX903M490		
	63	2631	23.13	21600	2.7	KXCM 903/180M-4/63	RKX903M4A0		
	73	2288	20.12	21600	3.5	KXCM 903/180M-4/73	RKX903M4B0		
	90	1836	16.14	21500	3.5	KXCM 903/180M-4/90	RKX903M4C0		
	104	1599	14.06	21300	3.5	KXCM 903/180M-4/104	RKX903M4D0		
	116	1433	12.6	21200	3.5	KXCM 903/180M-4/116	RKX903M4E0		
	126	1323	11.63	21700	4	KXCM 903/180M-4/126	RKX903M4F0		
	144	1151	10.12	21600	4	KXCM 903/180M-4/144	RKX903M4G0		
	180	922	8.11	21200	4	KXCM 903/180M-4/180	RKX903M4H0		
	207	804	7.07	21000	4	KXCM 903/180M-4/207	RKX903M4J0		
	231	720	6.33	20700	4	KXCM 903/180M-4/231	RKX903M4K0		
	21	7728	67.94	13590	0.86	KXCM 803/180M-4/21	RKX803M420		
	25	6722	59.1	14670	1	KXCM 803/180M-4/25	RKX803M430		
	30	5535	48.66	16560	1.2	KXCM 803/180M-4/30	RKX803M440		
	34	4816	42.34	17010	1.5	KXCM 803/180M-4/34	RKX803M450		
	39	4239	37.27	17460	1.6	KXCM 803/180M-4/39	RKX803M460		
45	3673	32.29	18540	1.8	KXCM 803/180M-4/45	RKX803M470			
52	3195	28.09	18810	2.1	KXCM 803/180M-4/52	RKX803M480			
59	2814	24.74	18990	2.1	KXCM 803/180M-4/59	RKX803M490			
63	2631	23.13	19440	2.4	KXCM 803/180M-4/63	RKX803M4A0			
73	2288	20.12	19440	3.1	KXCM 803/180M-4/73	RKX803M4B0			
90	1836	16.14	19350	3.2	KXCM 803/180M-4/90	RKX803M4C0			
104	1599	14.06	19170	3.2	KXCM 803/180M-4/104	RKX803M4D0			
116	1433	12.6	19080	3.2	KXCM 803/180M-4/116	RKX803M4E0			
126	1323	11.63	19530	3.6	KXCM 803/180M-4/126	RKX803M4F0			
144	1151	10.12	19440	3.6	KXCM 803/180M-4/144	RKX803M4G0			
180	922	8.11	19080	3.6	KXCM 803/180M-4/180	RKX803M4H0			
207	804	7.07	18900	3.6	KXCM 803/180M-4/207	RKX803M4J0			
231	720	6.33	18630	3.6	KXCM 803/180M-4/231	RKX803M4K0			
30	5614	49.36	4600	0.75	KXCM 703/180M-4/30	RKX703M3J0			
36	4570	40.18	6600	1	KXCM 703/180M-4/36	RKX703M3K0			
38	4364	38.37	7600	0.95	KXCM 703/180M-4/38	RKX703M3L0			
41	4040	35.52	7500	1.1	KXCM 703/180M-4/41	RKX703M3M0			
46	3602	31.67	8400	1.1	KXCM 703/180M-4/46	RKX703M3N0			
51	3234	28.43	9000	1.1	KXCM 703/180M-4/51	RKX703M3P0			
58	2840	24.97	10800	1.4	KXCM 703/180M-4/58	3036529505			
66	2510	22.07	11800	1.6	KXCM 703/180M-4/66	RKX703M3Q0			

Todos los moto-reductores pueden suministrarse con motor freno (MF).
Los códigos indicados son del moto-reductor sin freno.

All geared motors can be supplied with brake motor (MF).
The indicated codes are for the geared motor without brake.

Tutti i moto riduttori possono essere consegnati con motore freno (MF).
I codici indicati sono del moto riduttore senza freno.

Todos os motoredutores podem ser fornecidos com freio (MF).
Os códigos indicados são dos motoredutores sem freio.



STRATEGY - RIDUTTORI ORTOGONALI KX

KXCM-KXCMF

PROGRAMA DE
FABRICACIÓN

MANUFACTURE
PROGRAMME

PROGRAMMA DI
FABBRICAZIONE

PROGRAMA DE
FABRICAÇÃO

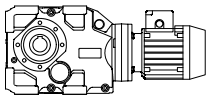
P [kW]	n ₂ [1/min]	M ₂ [Nm]	i _R	F _{Ra} [N]	f _b	Tipo Type Tipo Tipo	Código Ref. Codice Código	Intens. nominal Nominal intens. Tensione nominale Corrente nominal 400V(A)
18.5	76	2183	19.19	12300	1.9	KXCM 703/180M-4/76	RKX703M3R0	(36)
	81	2044	17.97	12500	2.2	KXCM 703/180M-4/81	RKX703M3S0	
	92	1806	15.88	12700	2.2	KXCM 703/180M-4/92	RKX703M3T0	
	103	1611	14.16	12900	2.2	KXCM 703/180M-4/103	RKX703M3U0	
	115	1446	12.71	13000	2.2	KXCM 703/180M-4/115	RKX703M3V0	
	132	1257	11.05	13800	2.5	KXCM 703/180M-4/132	RKX703M3W0	
	162	1023	8.99	13900	2.5	KXCM 703/180M-4/162	RKX703M3X0	
	184	904	7.95	13900	2.5	KXCM 703/180M-4/184	RKX703M3Y0	
	206	806	7.09	13900	2.5	KXCM 703/180M-4/206	RKX703M3Z0	
	230	723	6.36	13900	2.5	KXCM 703/180M-4/230	RKX703M400	
	30	5614	49.36	4140	0.67	KXCM 653/180M-4/30	RKX653M3N0	
	36	4570	40.18	5940	0.90	KXCM 653/180M-4/36	RKX653M3P0	
	38	4364	38.37	6840	0.86	KXCM 653/180M-4/38	RKX653M3Q0	
	41	4040	35.52	6750	0.99	KXCM 653/180M-4/41	RKX653M3R0	
	46	3602	31.67	7560	0.99	KXCM 653/180M-4/46	RKX653M3S0	
	51	3234	28.43	8100	0.99	KXCM 653/180M-4/51	RKX653M3T0	
	58	2840	24.97	9720	1.3	KXCM 653/180M-4/58	RKX653M3U0	
	66	2510	22.07	10620	1.4	KXCM 653/180M-4/66	RKX653M3V0	
	76	2183	19.19	11070	1.8	KXCM 653/180M-4/76	RKX653M3W0	
	81	2044	17.97	11250	2	KXCM 653/180M-4/81	3036922500	
	92	1806	15.88	11430	2	KXCM 653/180M-4/92	RKX653M3X0	
	103	1611	14.16	11610	2	KXCM 653/180M-4/103	RKX653M3Y0	
	115	1446	12.71	11700	2	KXCM 653/180M-4/115	RKX653M3Z0	
132	1257	11.05	12420	2.2	KXCM 653/180M-4/132	RKX653M400		
162	1023	8.99	12510	2.2	KXCM 653/180M-4/162	RKX653M410		
184	904	7.95	12510	2.2	KXCM 653/180M-4/184	RKX653M420		
206	806	7.09	12510	2.2	KXCM 653/180M-4/206	RKX653M430		
230	723	6.36	12510	2.2	KXCM 653/180M-4/230	RKX653M440		
47	3552	31.23	4000	0.69	KXCM 603/180M-4/47	RKX603M2Q0		
50	3306	29.07	4400	0.77	KXCM 603/180M-4/50	RKX603M2R0		
57	2892	25.43	5000	0.83	KXCM 603/180M-4/57	RKX603M2S0		
65	2556	22.47	5100	0.95	KXCM 603/180M-4/65	RKX603M2T0		
70	2379	20.92	5500	1	KXCM 603/180M-4/70	RKX603M2U0		
80	2081	18.3	6200	1.1	KXCM 603/180M-4/80	RKX603M2V0		
90	1840	16.18	6700	1.1	KXCM 603/180M-4/90	RKX603M2W0		
101	1641	14.43	7000	1.1	KXCM 603/180M-4/101	RKX603M2X0		
113	1474	12.96	7300	1.1	KXCM 603/180M-4/113	RKX603M2Y0		
130	1278	11.24	8350	1.4	KXCM 603/180M-4/130	RKX603M2Z0		
139	1191	10.47	8500	1.4	KXCM 603/180M-4/139	RKX603M300		
159	1042	9.16	8700	1.4	KXCM 603/180M-4/159	RKX603M310		
180	921	8.1	8900	1.4	KXCM 603/180M-4/180	RKX603M320		
202	821	7.22	9000	1.4	KXCM 603/180M-4/202	RKX603M330		
225	737	6.48	9100	1.4	KXCM 603/180M-4/225	RKX603M340		
50	3306	29.07	3960	0.70	KXCM 553/180M-4/50	RKX553M2W0		
57	2892	25.43	4500	0.74	KXCM 553/180M-4/57	RKX553M2X0		
65	2556	22.47	4590	0.85	KXCM 553/180M-4/65	RKX553M2Y0		

Todos los moto-reductores pueden suministrarse con motor freno (MF).
Los códigos indicados son del moto-reductor sin freno.

All geared motors can be supplied with brake motor (MF).
The indicated codes are for the geared motor without brake.

Tutti i moto riduttori possono essere consegnati con motore freno (MF).
I codici indicati sono del moto riduttore senza freno.

Todos os motoredutores podem ser fornecidos com freio (MF).
Os códigos indicados são dos motoredutores sem freio.



STRATEGY - RIDUTTORI ORTOGONALI KX

KXCM-KXCMF

PROGRAMA DE
FABRICACIÓN

MANUFACTURE
PROGRAMME

PROGRAMMA DI
FABBRICAZIONE

PROGRAMA DE
FABRICAÇÃO

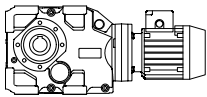
P [kW]	n ₂ [1/min]	M ₂ [Nm]	i _R	F _{Ra} [N]	f _b	Tipo Type Tipo Tipo	Código Ref. Codice Código	Intens. nominal Nominal intens. Tensione nominale Corrente nominal 400V(A)
18.5	70	2379	20.92	4950	0.92	KXCM 553/180M-4/70	RKX553M2Z0	(36)
	80	2081	18.3	5580	0.96	KXCM 553/180M-4/80	RKX553M300	
	90	1840	16.18	6030	0.96	KXCM 553/180M-4/90	RKX553M310	
	101	1641	14.43	6300	1	KXCM 553/180M-4/101	RKX553M320	
	113	1474	12.96	6570	1	KXCM 553/180M-4/113	RKX553M330	
	130	1278	11.24	7515	1.2	KXCM 553/180M-4/130	RKX553M340	
	139	1191	10.47	7650	1.2	KXCM 553/180M-4/139	RKX553M350	
	159	1042	9.16	7830	1.2	KXCM 553/180M-4/159	RKX553M360	
	180	921	8.1	8010	1.2	KXCM 553/180M-4/180	RKX553M370	
	202	821	7.22	8100	1.2	KXCM 553/180M-4/202	RKX553M380	
	225	737	6.48	8190	1.2	KXCM 553/180M-4/225	RKX553M390	
22	21	9190	67.94	10800	0.81	KXCM 903/180L-4/21	RKX903M4L0	(42)
	25	7994	59.1	12500	0.96	KXCM 903/180L-4/25	RKX903M4M0	
	30	6582	48.66	15300	1.1	KXCM 903/180L-4/30	RKX903M4N0	
	34	5727	42.34	16200	1.4	KXCM 903/180L-4/34	RKX903M4P0	
	39	5041	37.27	16900	1.5	KXCM 903/180L-4/39	RKX903M4Q0	
	45	4368	32.29	18600	1.6	KXCM 903/180L-4/45	RKX903M4R0	
	52	3799	28.09	19100	2	KXCM 903/180L-4/52	RKX903M4S0	
	59	3346	24.74	19500	2	KXCM 903/180L-4/59	RKX903M4T0	
	63	3129	23.13	20100	2.2	KXCM 903/180L-4/63	RKX903M4U0	
	73	2721	20.12	20300	2.9	KXCM 903/180L-4/73	RKX903M4V0	
	90	2183	16.14	20400	3	KXCM 903/180L-4/90	RKX903M4W0	
	104	1902	14.06	20300	3	KXCM 903/180L-4/104	RKX903M4X0	
	116	1704	12.6	20200	3	KXCM 903/180L-4/116	RKX903M4Y0	
	126	1573	11.63	21000	3.4	KXCM 903/180L-4/126	RKX903M4Z0	
	144	1369	10.12	20900	3.4	KXCM 903/180L-4/144	RKX903M500	
	180	1097	8.11	20700	3.4	KXCM 903/180L-4/180	RKX903M510	
	207	956	7.07	20500	3.4	KXCM 903/180L-4/207	RKX903M520	
	231	856	6.33	20300	3.4	KXCM 903/180L-4/231	RKX903M530	
	21	9190	67.94	9720	0.73	KXCM 803/180L-4/21	RKX803M4L0	
	25	7994	59.1	11250	0.86	KXCM 803/180L-4/25	RKX803M4M0	
	30	6582	48.66	13770	1	KXCM 803/180L-4/30	RKX803M4N0	
	34	5727	42.34	14580	1.3	KXCM 803/180L-4/34	RKX803M4P0	
	39	5041	37.27	15210	1.4	KXCM 803/180L-4/39	RKX803M4Q0	
45	4368	32.29	16740	1.5	KXCM 803/180L-4/45	RKX803M4R0		
52	3799	28.09	17190	1.8	KXCM 803/180L-4/52	RKX803M4S0		
59	3346	24.74	17550	1.8	KXCM 803/180L-4/59	RKX803M4T0		
63	3129	23.13	18090	2	KXCM 803/180L-4/63	RKX803M4U0		
73	2721	20.12	18270	2.6	KXCM 803/180L-4/73	RKX803M4V0		
90	2183	16.14	18360	2.7	KXCM 803/180L-4/90	RKX803M4W0		
104	1902	14.06	18270	2.7	KXCM 803/180L-4/104	RKX803M4X0		
116	1704	12.6	18180	2.7	KXCM 803/180L-4/116	RKX803M4Y0		
126	1573	11.63	18900	3	KXCM 803/180L-4/126	RKX803M4Z0		
144	1369	10.12	18810	3	KXCM 803/180L-4/144	RKX803M500		
180	1097	8.11	18630	3	KXCM 803/180L-4/180	RKX803M510		
207	956	7.07	18450	3	KXCM 803/180L-4/207	RKX803M520		
231	856	6.33	18270	3	KXCM 803/180L-4/231	RKX803M530		

Todos los moto-reductores pueden suministrarse con motor freno (MF). Los códigos indicados son del moto-reductor sin freno.

All geared motors can be supplied with brake motor (MF). The indicated codes are for the geared motor without brake.

Tutti i moto riduttori possono essere consegnati con motore freno (MF). I codici indicati sono del moto riduttore senza freno.

Todos os motoredutores podem ser fornecidos com freio (MF). Os códigos indicados são dos motoredutores sem freio.



STRATEGY - RIDUTTORI ORTOGONALI KX

KXCM-KXCMF

PROGRAMA DE
FABRICACIÓN

MANUFACTURE
PROGRAMME

PROGRAMMA DI
FABBRICAZIONE

PROGRAMA DE
FABRICAÇÃO

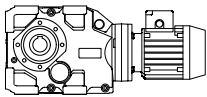
P [kW]	n ₂ [1/min]	M ₂ [Nm]	i _R	F _{Ra} [N]	f _b	Tipo	Código Ref. Codice Código	Intens. nominal Nominal intens. Tensione nominale Corrente nominal 400V(A)
						Type Tipo Tipo		
22	36	5435	40.18	3300	0.84	KXCM 703/180L-4/36	RKX703M410	(42)
	38	5190	38.37	4600	0.80	KXCM 703/180L-4/38	RKX703M420	
	41	4804	35.52	4500	0.93	KXCM 703/180L-4/41	RKX703M430	
	46	4284	31.67	5600	0.93	KXCM 703/180L-4/46	RKX703M440	
	51	3845	28.43	6500	0.93	KXCM 703/180L-4/51	RKX703M450	
	58	3377	24.97	8800	1.2	KXCM 703/180L-4/58	3036529504	
	66	2985	22.07	10100	1.4	KXCM 703/180L-4/66	RKX703M460	
	76	2596	19.19	10700	1.6	KXCM 703/180L-4/76	RKX703M470	
	81	2431	17.97	11000	1.8	KXCM 703/180L-4/81	RKX703M480	
	92	2148	15.88	11400	1.8	KXCM 703/180L-4/92	RKX703M490	
	103	1915	14.16	11600	1.8	KXCM 703/180L-4/103	RKX703M4A0	
	115	1719	12.71	11800	1.8	KXCM 703/180L-4/115	RKX703M4B0	
	132	1495	11.05	12900	2.1	KXCM 703/180L-4/132	RKX703M4C0	
	162	1216	8.99	13200	2.1	KXCM 703/180L-4/162	RKX703M4D0	
	184	1075	7.95	13200	2.1	KXCM 703/180L-4/184	RKX703M4E0	
	206	959	7.09	13300	2.1	KXCM 703/180L-4/206	RKX703M4F0	
	230	860	6.36	13300	2.1	KXCM 703/180L-4/230	RKX703M4G0	
	36	5435	40.18	2970	0.76	KXCM 653/180L-4/36	RKX653M450	
	38	5190	38.37	4140	0.72	KXCM 653/180L-4/38	RKX653M460	
	41	4804	35.52	4050	0.83	KXCM 653/180L-4/41	RKX653M470	
	46	4284	31.67	5040	0.83	KXCM 653/180L-4/46	RKX653M480	
	51	3845	28.43	5850	0.83	KXCM 653/180L-4/51	RKX653M490	
	58	3377	24.97	7920	1.1	KXCM 653/180L-4/58	RKX653M4A0	
66	2985	22.07	9090	1.2	KXCM 653/180L-4/66	RKX653M4B0		
76	2596	19.19	9630	1.5	KXCM 653/180L-4/76	RKX653M4C0		
81	2431	17.97	9900	1.6	KXCM 653/180L-4/81	3036922501		
92	2148	15.88	10260	1.6	KXCM 653/180L-4/92	RKX653M4D0		
103	1915	14.16	10440	1.6	KXCM 653/180L-4/103	RKX653M4E0		
115	1719	12.71	10620	1.6	KXCM 653/180L-4/115	RKX653M4F0		
132	1495	11.05	11610	1.9	KXCM 653/180L-4/132	RKX653M4G0		
162	1216	8.99	11880	1.9	KXCM 653/180L-4/162	RKX653M4H0		
184	1075	7.95	11880	1.9	KXCM 653/180L-4/184	RKX653M4J0		
206	959	7.09	11970	1.9	KXCM 653/180L-4/206	RKX653M4K0		
230	860	6.36	11970	1.9	KXCM 653/180L-4/230	RKX653M4L0		
50	3932	29.07	5500	0.65	KXCM 603/180L-4/50	RKX603M350		
57	3440	25.43	5000	0.70	KXCM 603/180L-4/57	RKX603M360		
65	3039	22.47	4500	0.80	KXCM 603/180L-4/65	RKX603M370		
70	2830	20.92	4000	0.86	KXCM 603/180L-4/70	RKX603M380		
80	2475	18.3	4500	0.90	KXCM 603/180L-4/80	RKX603M390		
90	2189	16.18	5100	0.90	KXCM 603/180L-4/90	RKX603M3A0		
101	1952	14.43	5600	0.93	KXCM 603/180L-4/101	RKX603M3B0		
113	1753	12.96	6000	0.93	KXCM 603/180L-4/113	RKX603M3C0		
130	1520	11.24	7300	1.2	KXCM 603/180L-4/130	RKX603M3D0		
139	1416	10.47	7550	1.2	KXCM 603/180L-4/139	RKX603M3E0		
159	1239	9.16	7900	1.2	KXCM 603/180L-4/159	RKX603M3F0		
180	1096	8.1	8150	1.2	KXCM 603/180L-4/180	RKX603M3G0		

Todos los moto-reductores pueden suministrarse con motor freno (MF).
Los códigos indicados son del moto-reductor sin freno.

All geared motors can be supplied with brake motor (MF).
The indicated codes are for the geared motor without brake.

Tutti i moto riduttori possono essere consegnati con motore freno (MF).
I codici indicati sono del moto riduttore senza freno.

Todos os motoredutores podem ser fornecidos com freio (MF).
Os códigos indicados são dos motoredutores sem freio.



STRATEGY - RIDUTTORI ORTOGONALI KX

KXCM-KXCMF

PROGRAMA DE
FABRICACIÓN

MANUFACTURE
PROGRAMME

PROGRAMMA DI
FABBRICAZIONE

PROGRAMA DE
FABRICAÇÃO

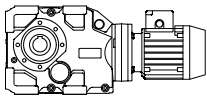
P [kW]	n ₂ [1/min]	M ₂ [Nm]	i _R	F _{Ra} [N]	f _b	Tipo Type Tipo Tipo	Código Ref. Codice Código	Intens. nominal Nominal intens. Tensione nominale Corrente nominal 400V(A)
22	202	977	7.22	8350	1.2	KXCM 603/180L-4/202	RKX603M3H0	(42)
	225	876	6.48	8450	1.2	KXCM 603/180L-4/225	RKX603M3J0	
	65	3039	22.47	4050	0.72	KXCM 553/180L-4/65	RKX553M3C0	
	70	2830	20.92	3600	0.77	KXCM 553/180L-4/70	RKX553M3D0	
	80	2475	18.3	4050	0.81	KXCM 553/180L-4/80	RKX553M3E0	
	90	2189	16.18	4590	0.81	KXCM 553/180L-4/90	RKX553M3F0	
	101	1952	14.43	5040	0.84	KXCM 553/180L-4/101	RKX553M3G0	
	113	1753	12.96	5400	0.84	KXCM 553/180L-4/113	RKX553M3H0	
	130	1520	11.24	6570	1	KXCM 553/180L-4/130	RKX553M3J0	
	139	1416	10.47	6795	1	KXCM 553/180L-4/139	RKX553M3K0	
	159	1239	9.16	7110	1	KXCM 553/180L-4/159	RKX553M3L0	
	180	1096	8.1	7335	1	KXCM 553/180L-4/180	RKX553M3M0	
202	977	7.22	7515	1	KXCM 553/180L-4/202	RKX553M3N0		
225	876	6.48	7605	1	KXCM 553/180L-4/225	RKX553M3P0		
30	30	8944	48.66	8200	0.81	KXCM 903/200L-4/30	RKX903M540	(57)
	35	7783	42.34	9900	1.1	KXCM 903/200L-4/35	RKX903M550	
	39	6851	37.27	11300	1.1	KXCM 903/200L-4/39	RKX903M560	
	45	5935	32.29	13900	1.2	KXCM 903/200L-4/45	RKX903M570	
	52	5163	28.09	15000	1.5	KXCM 903/200L-4/52	RKX903M580	
	59	4548	24.74	15700	1.5	KXCM 903/200L-4/59	RKX903M590	
	63	4252	23.13	16800	1.6	KXCM 903/200L-4/63	RKX903M5A0	
	73	3698	20.12	17300	2.1	KXCM 903/200L-4/73	RKX903M5B0	
	91	2967	16.14	17900	2.2	KXCM 903/200L-4/91	RKX903M5C0	
	104	2584	14.06	18100	2.2	KXCM 903/200L-4/104	RKX903M5D0	
	116	2316	12.6	18200	2.2	KXCM 903/200L-4/116	RKX903M5E0	
	126	2138	11.63	19300	2.5	KXCM 903/200L-4/126	RKX903M5F0	
	145	1860	10.12	19400	2.5	KXCM 903/200L-4/145	RKX903M5G0	
	181	1491	8.11	19400	2.5	KXCM 903/200L-4/181	RKX903M5H0	
	207	1300	7.07	19400	2.5	KXCM 903/200L-4/207	RKX903M5J0	
	231	1164	6.33	19200	2.5	KXCM 903/200L-4/231	RKX903M5K0	
	30	8944	48.66	7380	0.73	KXCM 803/200L-4/30	RKX803M540	
	35	7783	42.34	8910	0.95	KXCM 803/200L-4/35	RKX803M550	
	39	6851	37.27	10170	0.99	KXCM 803/200L-4/39	RKX803M560	
	45	5935	32.29	12510	1.1	KXCM 803/200L-4/45	RKX803M570	
	52	5163	28.09	13500	1.3	KXCM 803/200L-4/52	RKX803M580	
	59	4548	24.74	14130	1.3	KXCM 803/200L-4/59	RKX803M590	
	63	4252	23.13	15120	1.5	KXCM 803/200L-4/63	RKX803M5A0	
	73	3698	20.12	15570	1.9	KXCM 803/200L-4/73	RKX803M5B0	
91	2967	16.14	16110	2	KXCM 803/200L-4/91	RKX803M5C0		
104	2584	14.06	16290	2	KXCM 803/200L-4/104	RKX803M5D0		
116	2316	12.6	16380	2	KXCM 803/200L-4/116	RKX803M5E0		
126	2138	11.63	17370	2.2	KXCM 803/200L-4/126	RKX803M5F0		
145	1860	10.12	17460	2.2	KXCM 803/200L-4/145	RKX803M5G0		
181	1491	8.11	17460	2.2	KXCM 803/200L-4/181	RKX803M5H0		
207	1300	7.07	17460	2.2	KXCM 803/200L-4/207	RKX803M5J0		
231	1164	6.33	17280	2.2	KXCM 803/200L-4/231	RKX803M5K0		

Todos los moto-reductores pueden suministrarse con motor freno (MF). Los códigos indicados son del moto-reductor sin freno.

All geared motors can be supplied with brake motor (MF). The indicated codes are for the geared motor without brake.

Tutti i moto riduttori possono essere consegnati con motore freno (MF). I codici indicati sono del moto riduttore senza freno.

Todos os motoredutores podem ser fornecidos com freio (MF). Os códigos indicados são dos motoredutores sem freio.



STRATEGY - RIDUTTORI ORTOGONALI KX

KXCM-KXCMF

PROGRAMA DE
FABRICACIÓN

MANUFACTURE
PROGRAMME

PROGRAMMA DI
FABBRICAZIONE

PROGRAMA DE
FABRICAÇÃO

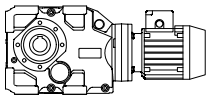
P [kW]	n ₂ [1/min]	M ₂ [Nm]	i _R	F _{Ra} [N]	f _b	Tipo	Código Ref. Codice Código	Intens. nominal Nominal intens. Tensione nominale Corrente nominal 400V(A)
						Type Tipo Tipo		
30	59	4590	24.97	4000	0.87	KXCM 703/200L-4/59	RKX703M4H0	(57)
	66	4057	22.07	6000	0.99	KXCM 703/200L-4/66	RKX703M4J0	
	76	3527	19.19	7100	1.2	KXCM 703/200L-4/76	RKX703M4K0	
	82	3303	17.97	7600	1.3	KXCM 703/200L-4/82	RKX703M4L0	
	92	2919	15.88	8300	1.3	KXCM 703/200L-4/92	RKX703M4M0	
	103	2603	14.16	8800	1.3	KXCM 703/200L-4/103	RKX703M4N0	
	115	2336	12.71	9300	1.3	KXCM 703/200L-4/115	RKX703M4P0	
	133	2031	11.05	10900	1.5	KXCM 703/200L-4/133	RKX703M4Q0	
	163	1653	8.99	11400	1.5	KXCM 703/200L-4/163	RKX703M4R0	
	184	1461	7.95	11700	1.5	KXCM 703/200L-4/184	RKX703M4S0	
	207	1303	7.09	11900	1.5	KXCM 703/200L-4/207	RKX703M4T0	
	230	1169	6.36	12000	1.5	KXCM 703/200L-4/230	RKX703M4U0	
	59	4590	24.97	3600	0.79	KXCM 653/200L-4/59	RKX653M4M0	
	66	4057	22.07	5400	0.89	KXCM 653/200L-4/66	RKX653M4N0	
	76	3527	19.19	6390	1.1	KXCM 653/200L-4/76	RKX653M4P0	
	82	3303	17.97	6840	1.2	KXCM 653/200L-4/82	RKX653M4Q0	
	92	2919	15.88	7470	1.2	KXCM 653/200L-4/92	RKX653M4R0	
	103	2603	14.16	7920	1.2	KXCM 653/200L-4/103	RKX653M4S0	
	115	2336	12.71	8370	1.2	KXCM 653/200L-4/115	RKX653M4T0	
	133	2031	11.05	9810	1.4	KXCM 653/200L-4/133	RKX653M4U0	
	163	1653	8.99	10260	1.4	KXCM 653/200L-4/163	RKX653M4V0	
	184	1461	7.95	10530	1.4	KXCM 653/200L-4/184	RKX653M4W0	
	207	1303	7.09	10710	1.4	KXCM 653/200L-4/207	RKX653M4X0	
230	1169	6.36	10800	1.4	KXCM 653/200L-4/230	RKX653M4Y0		
37	35	9534	42.34	4400	0.86	KXCM 903/225SZ-4/35	RKX903M5L0	(71)
	40	8392	37.27	6300	0.90	KXCM 903/225SZ-4/40	RKX903M5M0	
	46	7271	32.29	9800	0.97	KXCM 903/225SZ-4/46	RKX903M5N0	
	53	6325	28.09	11300	1.2	KXCM 903/225SZ-4/53	RKX903M5P0	
	60	5571	24.74	12500	1.2	KXCM 903/225SZ-4/60	RKX903M5Q0	
	64	5208	23.13	13800	1.3	KXCM 903/225SZ-4/64	RKX903M5R0	
	73	4530	20.12	14700	1.7	KXCM 903/225SZ-4/73	RKX903M5S0	
	91	3634	16.14	15700	1.8	KXCM 903/225SZ-4/91	RKX903M5T0	
	105	3166	14.06	16100	1.8	KXCM 903/225SZ-4/105	RKX903M5U0	
	117	2837	12.6	16400	1.8	KXCM 903/225SZ-4/117	RKX903M5V0	
	127	2619	11.63	17800	2	KXCM 903/225SZ-4/127	RKX903M5W0	
	146	2279	10.12	18100	2	KXCM 903/225SZ-4/146	RKX903M5X0	
	182	1826	8.11	18300	2	KXCM 903/225SZ-4/182	RKX903M5Y0	
	209	1592	7.07	18300	2	KXCM 903/225SZ-4/209	RKX903M5Z0	
	233	1425	6.33	18300	2	KXCM 903/225SZ-4/233	RKX903M600	
	35	9534	42.34	3960	0.77	KXCM 803/225SZ-4/35	RKX803M5L0	
	40	8392	37.27	5670	0.81	KXCM 803/225SZ-4/40	RKX803M5M0	
	46	7271	32.29	8820	0.88	KXCM 803/225SZ-4/46	RKX803M5N0	
	53	6325	28.09	10170	1.06	KXCM 803/225SZ-4/53	RKX803M5P0	
	60	5571	24.74	11250	1.06	KXCM 803/225SZ-4/60	RKX803M5Q0	
	64	5208	23.13	12420	1.2	KXCM 803/225SZ-4/64	RKX803M5R0	
	73	4530	20.12	13230	1.6	KXCM 803/225SZ-4/73	RKX803M5S0	

Todos los moto-reductores pueden suministrarse con motor freno (MF).
Los códigos indicados son del moto-reductor sin freno.

All geared motors can be supplied with brake motor (MF).
The indicated codes are for the geared motor without brake.

Tutti i moto riduttori possono essere consegnati con motore freno (MF).
I codici indicati sono del moto riduttore senza freno.

Todos os motoredutores podem ser fornecidos com freio (MF).
Os códigos indicados são dos motoredutores sem freio.



STRATEGY - RIDUTTORI ORTOGONALI KX

KXCM-KXCMF

PROGRAMA DE
FABRICACIÓN

MANUFACTURE
PROGRAMME

PROGRAMMA DI
FABBRICAZIONE

PROGRAMA DE
FABRICAÇÃO

P [kW]	n₂ [1/min]	M₂ [Nm]	i_R	F_{Ra} [N]	f_b	Tipo Type Tipo Tipo	Código Ref. Codice Código	<i>Intens. nominal</i> <i>Nominal intens.</i> <i>Tensione nominale</i> <i>Corrente nominal</i> 400V(A)
37	91	3634	16.14	14130	1.6	KXCM 803/225SZ-4/91	RKX803M5T0	(71)
	105	3166	14.06	14490	1.6	KXCM 803/225SZ-4/105	RKX803M5U0	
	117	2837	12.6	14760	1.6	KXCM 803/225SZ-4/117	RKX803M5V0	
	127	2619	11.63	16020	1.8	KXCM 803/225SZ-4/127	RKX803M5W0	
	146	2279	10.12	16290	1.8	KXCM 803/225SZ-4/146	RKX803M5X0	
	182	1826	8.11	16470	1.8	KXCM 803/225SZ-4/182	RKX803M5Y0	
	209	1592	7.07	16470	1.8	KXCM 803/225SZ-4/209	RKX803M5Z0	
	233	1425	6.33	16470	1.8	KXCM 803/225SZ-4/233	RKX803M600	
45	35	11595	42.34	8600	0.70	KXCM 903/225MZ-4/35	RKX903M610	(86)
	40	10207	37.27	9100	0.74	KXCM 903/225MZ-4/40	RKX903M620	
	46	8843	32.29	10300	0.80	KXCM 903/225MZ-4/46	RKX903M630	
	53	7693	28.09	7200	0.97	KXCM 903/225MZ-4/53	RKX903M640	
	60	6775	24.74	8700	0.97	KXCM 903/225MZ-4/60	RKX903M650	
	64	6334	23.13	10500	1.1	KXCM 903/225MZ-4/64	RKX903M660	
	73	5510	20.12	11800	1.4	KXCM 903/225MZ-4/73	RKX903M670	
	91	4420	16.14	13200	1.4	KXCM 903/225MZ-4/91	RKX903M680	
	105	3850	14.06	13900	1.4	KXCM 903/225MZ-4/105	RKX903M690	
	117	3451	12.6	14300	1.4	KXCM 903/225MZ-4/117	RKX903M6A0	
	127	3185	11.63	16100	1.6	KXCM 903/225MZ-4/127	RKX903M6B0	
	146	2771	10.12	16600	1.6	KXCM 903/225MZ-4/146	RKX903M6C0	
	182	2221	8.11	17100	1.6	KXCM 903/225MZ-4/182	RKX903M6D0	
	209	1936	7.07	17300	1.6	KXCM 903/225MZ-4/209	RKX903M6E0	
	233	1733	6.33	17300	1.6	KXCM 903/225MZ-4/233	RKX903M6F0	
	40	10207	37.27	7740	0.66	KXCM 803/225MZ-4/40	RKX803M610	
	46	8843	32.29	8190	0.72	KXCM 803/225MZ-4/46	RKX803M620	
	53	7693	28.09	9270	0.88	KXCM 803/225MZ-4/53	RKX803M630	
	60	6775	24.74	6480	0.88	KXCM 803/225MZ-4/60	RKX803M640	
	64	6334	23.13	7830	0.99	KXCM 803/225MZ-4/64	RKX803M650	
	73	5510	20.12	9450	1.3	KXCM 803/225MZ-4/73	RKX803M660	
	91	4420	16.14	10620	1.3	KXCM 803/225MZ-4/91	RKX803M670	
	105	3850	14.06	11880	1.3	KXCM 803/225MZ-4/105	RKX803M680	
117	3451	12.6	12510	1.3	KXCM 803/225MZ-4/117	RKX803M690		
127	3185	11.63	12870	1.5	KXCM 803/225MZ-4/127	RKX803M6A0		
146	2771	10.12	14490	1.5	KXCM 803/225MZ-4/146	RKX803M6B0		
182	2221	8.11	14940	1.5	KXCM 803/225MZ-4/182	RKX803M6C0		
209	1936	7.07	15390	1.5	KXCM 803/225MZ-4/209	RKX803M6D0		
233	1733	6.33	15570	1.5	KXCM 803/225MZ-4/233	RKX803M6E0		

Todos los moto-reductores pueden suministrarse con motor freno (MF). Los códigos indicados son del moto-reductor sin freno.

All geared motors can be supplied with brake motor (MF). The indicated codes are for the geared motor without brake.

Tutti i moto riduttori possono essere consegnati con motore freno (MF). I codici indicati sono del moto riduttore senza freno.

Todos os motoredutores podem ser fornecidos com freio (MF). Os códigos indicados são dos motoredutores sem freio.

STRATEGY - RIDUTTORI ORTOGONALI KX

“KXCM-KXCMF”
DIMENSIONES (mm)

“KXCM-KXCMF”
DIMENSIONS (mm)

“KXCM-KXCMF”
DIMENSIONI (mm)

“KXCM-KXCMF”
DIMENSÕES (mm)

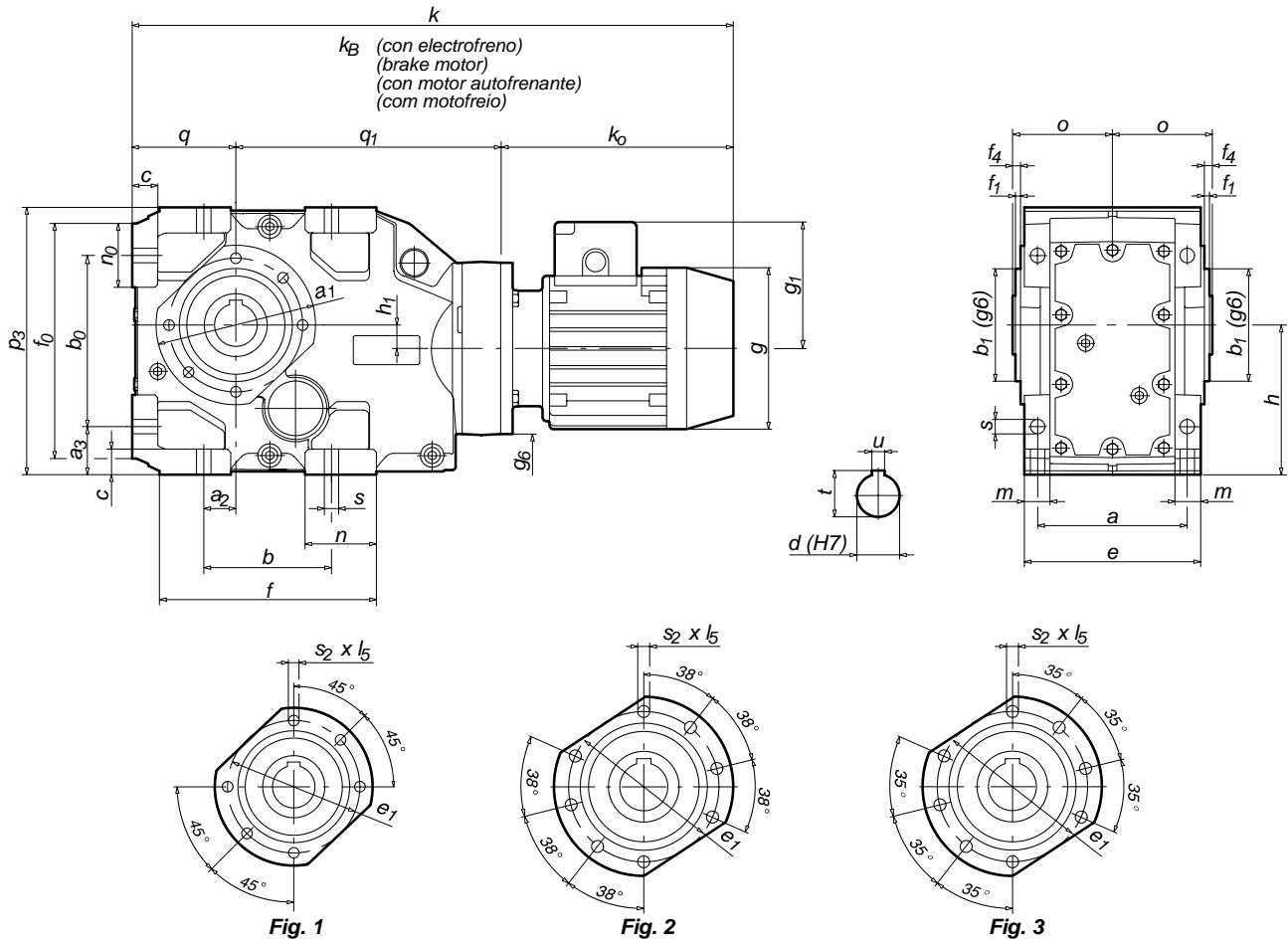


Fig. 1

Fig. 2

Fig. 3

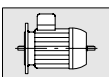
Tipo	Peso	g	g ₁	g ₆	k	k _B	k ₀	q ₁	a	a ₁	a ₂	a ₃	b	b ₀	b ₁	c	e	e ₁	f	f ₀	f ₁	f ₄	h	h ₁	m	n	n ₀	o	p ₃	q	s	s ₂ x l ₅	Fig.	d	t	u	
Type	Weight				(1)	(1)	(1)																														
Typo	Peso	[Kg]																																			
303/63	18.5	123	100	140	449	481	190	189																													
303/71	19.5	138	109	160	473	522	214	189																													
303/80	24	156	124	200	520	576	236	214																													
303/90S	28.5	176	129	200	538	595	254	214	100	110	28	32	110	115	80	16	120	94	158	158	2.5	3.5	100	15	18	45	52	60	179	70	11	M8x14	1	30	33.3	8	
303/90L	31	176	129	200	563	620	279	214																													
303/100	39	194	138	250	609	679	309	230																													
303/112	47	218	152	250	628	702	328	230																													
353/63	37.8	123	100	140	541	573	190	254																													
353/71	40.5	138	109	160	559	608	214	248																													
353/80	45.5	156	124	200	607	663	236	274																													
353/90S	50	176	129	200	625	682	254	274	140	148	30	45	120	160	105	24	165	125	200	220	3	4	140	22	24	65	65	90	250	97	14	M12x20	1	35	38.3	10	
353/90L	52	176	129	200	650	707	279	274																													
353/100	59.5	194	138	250	693	763	309	287																													
353/112	67.5	218	152	250	712	786	328	287																													

(1) Estas dimensiones son orientativas, dependiendo del fabricante del motor.

(1) These dimensions are indicative, they are depending of motor manufacturers.

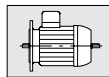
(1) Queste dimensioni sono orientative dipendendo del fabbricante del motore

(1) Estas dimensões são orientativas dependendo do fabricante do Motor.



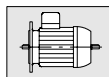
Dimensiones generales de los motores en las págs. 0.14 y 0.15

Los pesos indicados en las tablas son aproximados y corresponden a motores sin freno. Los moto-reductores se suministran con motor forma B5 y caja de bornes posición normal, salvo indicación expresa de lo contrario por el cliente. Nos reservamos el derecho de modificar dimensiones sin que por ello cambie la denominación del reductor. Tenemos a su disposición un CD para sistema CAD con los dibujos a escala de nuestros reductores y accesorios.



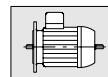
General motors dimensions page 0.14 and 0.15

Unless specified differently by the customer, motor reducers supplied, use B-5 flange mounting motors and normal position terminal board box. Approximate weights are shown in the tables. We reserve the rights to modify any dimensions, without changing the Type number of reducers. CD for CAD systems are also available, providing to scale, drawings of reducers and accessories.



Le dimensioni generali dei motori sono a pagina 0.14 e 0.15

I pesi indicati nella tabella sono approssimativi e appartengono a motori senza freno. I motoriduttori vengono forniti con motore B5 e scatola morsettiera in posizione normale, tranne indicazione diversa richiesta dal cliente. Ci riserviamo il diritto di modificare le dimensioni senza cambiare per questo la denominazione del riduttore. E' disponibile un CD per sistema CAD con disegni in scala dei nostri riduttori ed accessori.



Dimensões gerais dos motores nas págs. 0.14 e 0.15

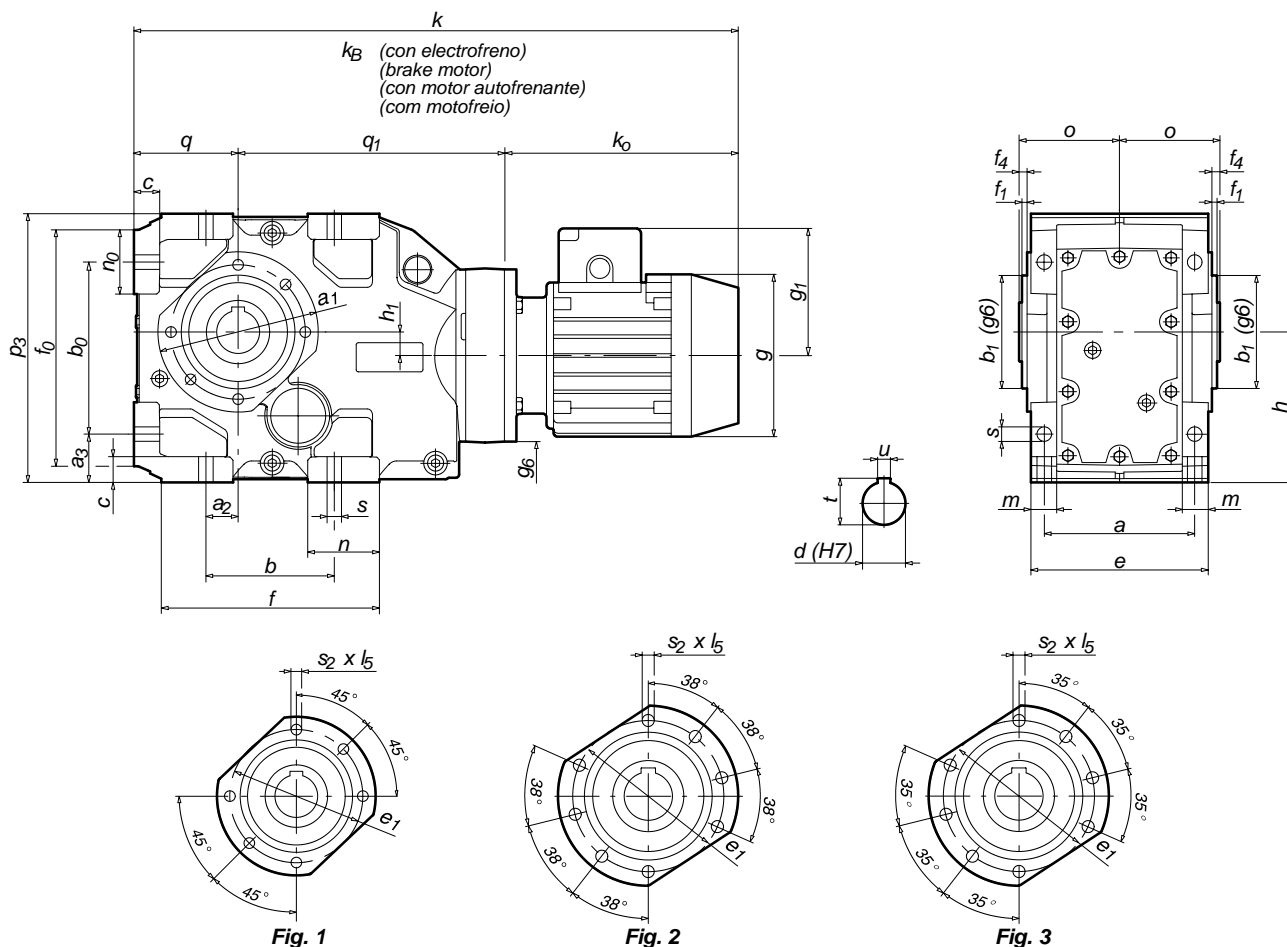
Os motores são fornecidos na forma B5 e caixa de ligação normal, exceto especificado diferentemente pelo cliente. Os pesos indicados nas tabelas são aproximados. Nos reservamos o direito de modificar dimensões sem alterar o número do tipo do reductor. Temos a sua disposição um CD para sistema CAD com os desenhos dimensionais em escala dos nossos reductores e acessórios.

“KXCM-KXCMF” DIMENSIONES (mm)

“KXCM-KXCMF” DIMENSIONS (mm)

“KXCM-KXCMF” DIMENSIONI (mm)

“KXCM-KXCMF” DIMENSÕES (mm)



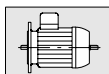
Tipo	Peso																																				
Type	Weight																																				
Tipo	Peso																																				
Tipo	[Kg]	g	g_1	g_6	k	k_B	k_0	q_1	a	a_1	a_2	a_3	b	b_0	b_1	c	e	e_1	f	f_0	f_1	f_4	h	h_1	m	n	n_0	o	p_3	q	s	$s_2 \times l_5$	Fig.	d	t	u	
403/63	37.8	123	100	140	541	573	190	254																													
403/71	40.5	138	109	160	559	608	214	248																													
403/80	45.5	156	124	200	607	663	236	274																													
403/90S	50	176	129	200	625	682	254	274	140	148	30	45	120	160	105	24	165	125	200	220	3	4	140	22	24	65	65	90	250	97	14	M12x20	1	40	43.3	12	
403/90L	52	176	129	200	650	707	279	274																													
403/100	59.5	194	138	250	693	763	309	287																													
403/112	67.5	218	152	250	712	786	328	287																													
453/71	66	138	109	160	638	687	214	304																													
453/80	71	156	124	200	667	723	236	311																													
453/90S	75.5	176	129	200	685	742	254	311																													
453/90L	77.6	176	129	200	710	767	279	311																													
453/100	84.8	194	138	250	752	822	309	323	165	170	40	55	150	200	125	27	200	142	236	282	3.5	4.5	180	40	33	78	88	105	310	120	18	M12x20	2	45	48.8	14	
453/112	92.5	218	152	250	771	845	328	323																													
453/132S	109.8	258	178	300	839	922	371	348																													
453/132M	122.8	258	178	300	877	960	409	348																													

(1) Estas dimensiones son orientativas, dependiendo del fabricante del motor.

(1) These dimensions are indicative, they are depending of motor manufacturers.

(1) Queste dimensioni sono orientative dipendendo del fabbricante del motore

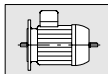
(1) Estas dimensões são orientativas dependendo do fabricante do Motor.



Dimensiones generales de los motores en las págs. 0.14 y 0.15

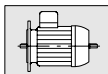
Los pesos indicados en las tablas son aproximados y corresponden a motores sin freno.

Los moto-reductores se suministran con motor forma B5 y caja de bornes posición normal, salvo indicación expresa de lo contrario por el cliente. Nos reservamos el derecho de modificar dimensiones sin que por ello cambie la denominación del reductor. Tenemos a su disposición un CD para sistema CAD con los dibujos a escala de nuestros reductores y accesorios.



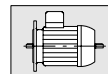
General motors dimensions page 0.14 and 0.15

Unless specified differently by the customer, motor reducers supplied, use B-5 flange mounting motors and normal position terminal board box. Approximate weights are shown in the tables. We reserve the rights to modify any dimensions, without changing the Type number of reducers. CD for CAD systems are also available, providing to scale, drawings of reducers and accessories.



Le dimensioni generali dei motori sono a pagina 0.14 e 0.15

I pesi indicati nella tabella sono approssimativi e appartengono a motori senza freno. I motoriduttori vengono forniti con motore B5 e scatola morsettiera in posizione normale, tranne indicazione diversa richiesta dal cliente. Ci riserviamo il diritto di modificare le dimensioni senza cambiare per questo la denominazione del riduttore. E' disponibile un CD per sistema CAD con disegni in scala dei nostri riduttori ed accessori.



Dimensões gerais dos motores nas págs. 0.14 e 0.15

Os motores são fornecidos na forma B5 e caixa de ligação normal, exceto especificado diferentemente pelo cliente. Os pesos indicados nas tabelas são aproximados. Nos reservamos o direito de modificar dimensões sem alterar o número do tipo do reductor. Temos a sua disposição um CD para sistema CAD com os desenhos dimensionais em escala dos nossos reductores e acessórios.

STRATEGY - RIDUTTORI ORTOGONALI KX

“KXCM-KXCMF”
DIMENSIONES (mm)

“KXCM-KXCMF”
DIMENSIONS (mm)

“KXCM-KXCMF”
DIMENSIONI (mm)

“KXCM-KXCMF”
DIMENSÕES (mm)

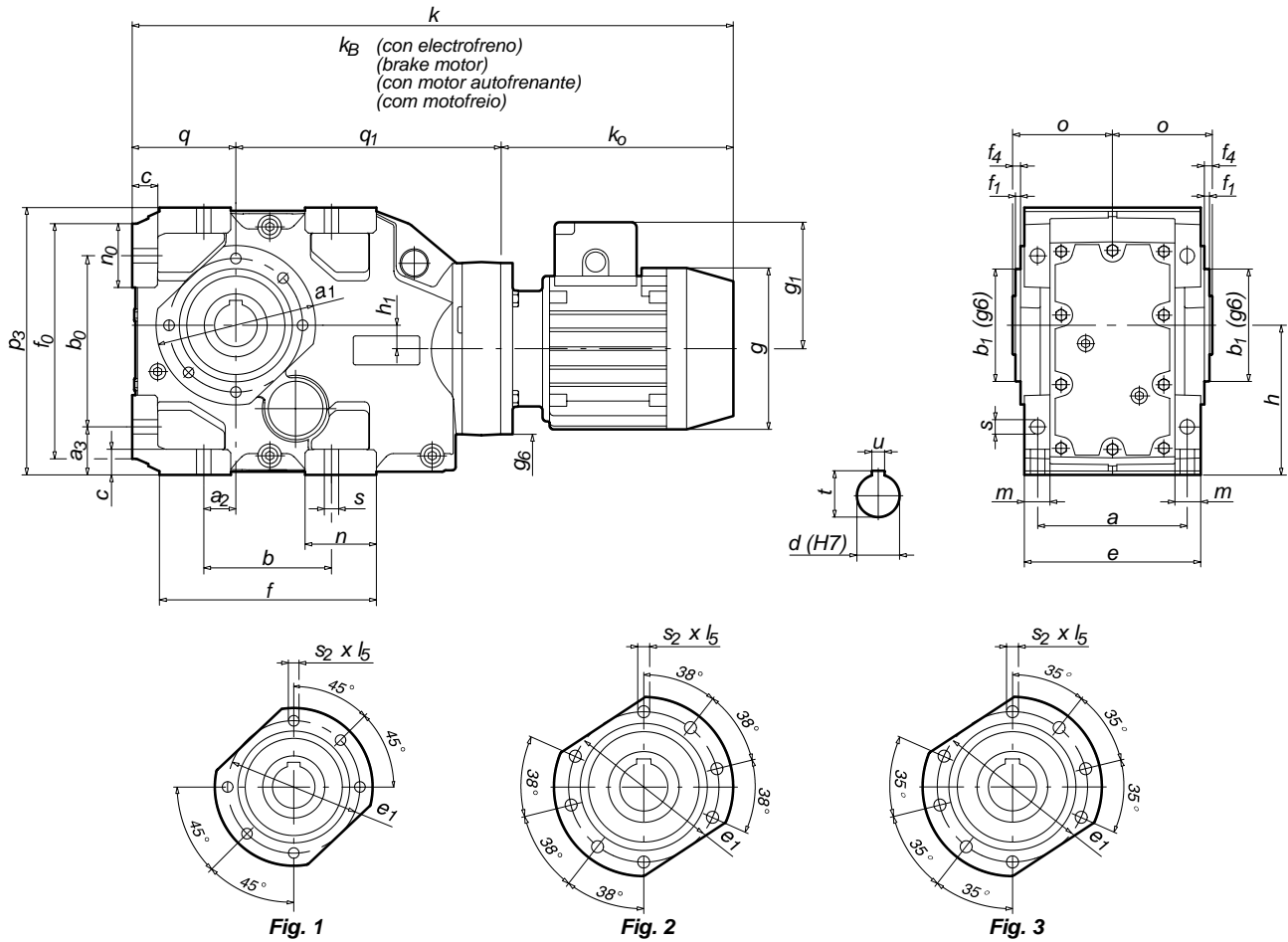


Fig. 1

Fig. 2

Fig. 3

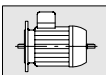
Tipo	Peso																																					
Type	Weight																																					
Tipo	Peso																																					
Tipo	[Kg]	g	g ₁	g ₆	k	k _B	k ₀	q ₁	a	a ₁	a ₂	a ₃	b	b ₀	b ₁	c	e	e ₁	f	f ₀	f ₁	f ₄	h	h ₁	m	n	n ₀	o	p ₃	q	s	s ₂ x l ₅	Fig.	d	t	u		
503/71	66	138	109	160	638	687	214	304																														
503/80	71	156	124	200	667	723	236	311																														
503/90S	75.5	176	129	200	685	742	254	311																														
503/90L	77.6	176	129	200	710	767	279	311	165	170	40	55	150	200	125	27	200	142	236	282	3.5	4.5	180	40	33	78	88	105	310	120	18	M12x20	2	50	53.8	14		
503/100	84.8	194	138	250	752	822	309	323																														
503/112	92.5	218	152	250	771	845	328	323																														
503/132S	109.8	258	178	300	839	922	371	348																														
503/132M	122.8	258	178	300	877	960	409	348																														
553/80	106	156	124	200	749	805	236	358																														
553/90S	111	176	129	200	767	824	254	358																														
553/90L	113	176	129	200	792	849	279	358																														
553/100	121	194	138	250	830	900	309	366																														
553/112	129	218	152	250	849	923	328	366																														
553/132S	148	258	178	300	918	1001	371	392	180	215	55	70	180	233	155	32	230	178	276	330	4	6	212	32	42	92	112	120	373	155	22	M16x26	1	55	59.3	16		
553/132M	161	258	178	300	956	1039	409	392																														
553/160M	194	310	232	350	1058	1164	484	419																														
553/160L	209	310	232	350	1102	1208	528	419																														
553/180	237	355	290	350	1176	1176	602	419																														

(1) Estas dimensiones son orientativas, dependiendo del fabricante del motor.

(1) These dimensions are indicative, they are depending of motor manufacturers.

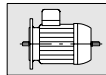
(1) Queste dimensioni sono orientative dipendendo del fabbricante del motore

(1) Estas dimensões são orientativas dependendo do fabricante do Motor.



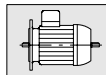
Dimensiones generales de los motores en las págs. 0.14 y 0.15

Los pesos indicados en las tablas son aproximados y corresponden a motores sin freno. Los moto-reductores se suministran con motor forma B5 y caja de bornes posición normal, salvo indicación expresa de lo contrario por el cliente. Nos reservamos el derecho de modificar dimensiones sin que por ello cambie la denominación del reductor. Tenemos a su disposición un CD para sistema CAD con los dibujos a escala de nuestros reductores y accesorios.



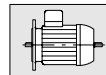
General motors dimensions page 0.14 and 0.15

Unless specified differently by the customer, motor reducers supplied, use B-5 flange mounting motors and normal position terminal board box. Approximate weights are shown in the tables. We reserve the rights to modify any dimensions, without changing the Type number of reducers. CD for CAD systems are also available, providing to scale, drawings of reducers and accessories.



Le dimensioni generali dei motori sono a pagina 0.14 e 0.15

I pesi indicati nella tabella sono approssimativi e appartengono a motori senza freno. I motoriduttori vengono forniti con motore B5 e scatola morsettiera in posizione normale, tranne indicazione diversa richiesta dal cliente. Ci riserviamo il diritto di modificare le dimensioni senza cambiare per questo la denominazione del riduttore. E' disponibile un CD per sistema CAD con disegni in scala dei nostri riduttori ed accessori.



Dimensões gerais dos motores nas págs. 0.14 e 0.15

Os motores são fornecidos na forma B5 e caixa de ligação normal, exceto especificado diferentemente pelo cliente. Os pesos indicados nas tabelas são aproximados. Nos reservamos o direito de modificar dimensões sem alterar o número do tipo do reductor. Temos a sua disposição um CD para sistema CAD com os desenhos dimensionais em escala dos nossos reductores e acessórios.

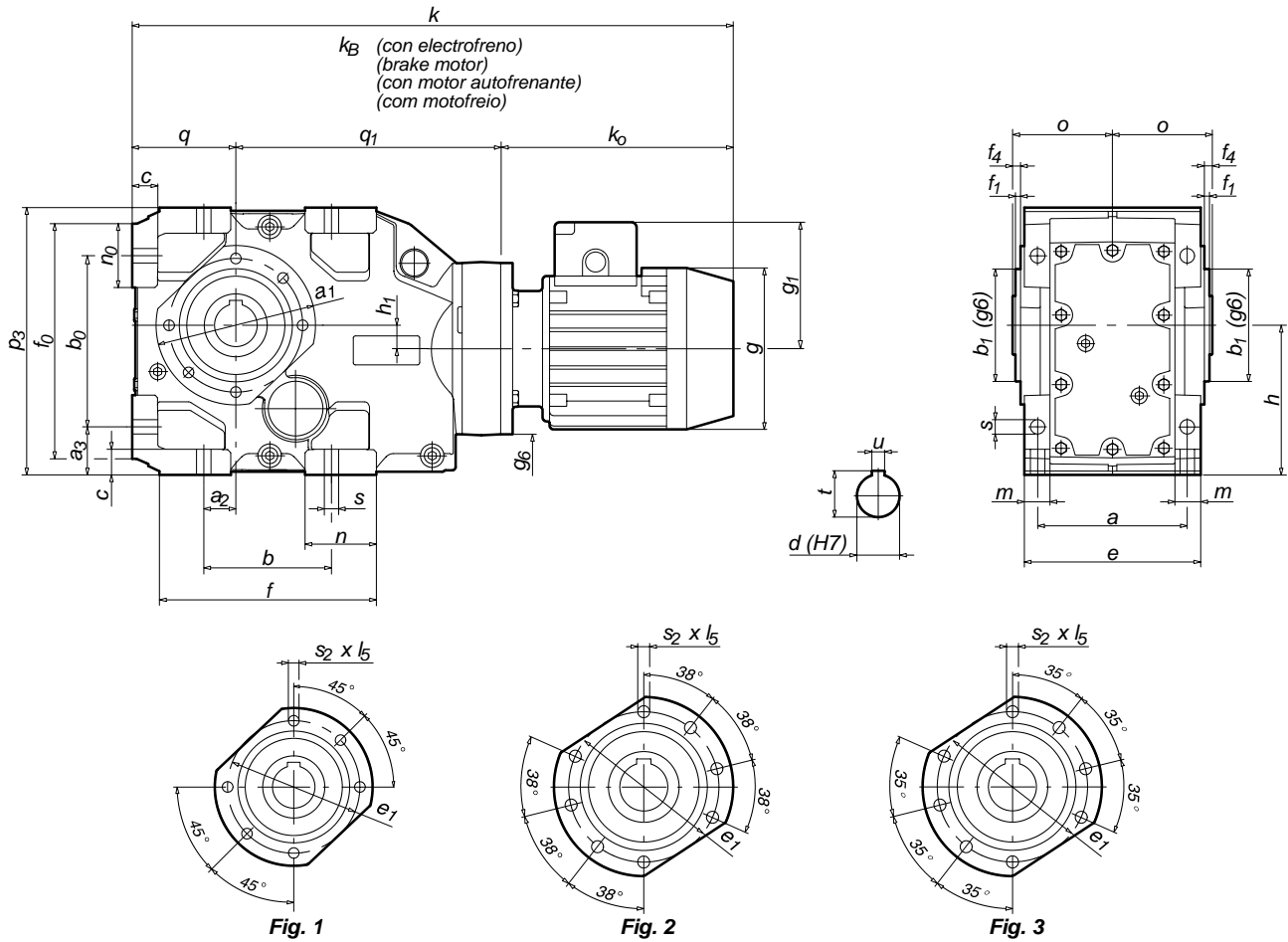
STRATEGY - RIDUTTORI ORTOGONALI KX

“KXCM-KXCMF”
DIMENSIONES (mm)

“KXCM-KXCMF”
DIMENSIONS (mm)

“KXCM-KXCMF”
DIMENSIONI (mm)

“KXCM-KXCMF”
DIMENSÕES (mm)



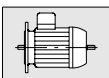
Tipo	Peso																																				
Type	Weight																																				
Tipo	Peso																																				
Tipo	[Kg]	g	g ₁	g ₆	k	k _B	k ₀	q ₁	a	a ₁	a ₂	a ₃	b	b ₀	b ₁	c	e	e ₁	f	f ₀	f ₁	f ₄	h	h ₁	m	n	n ₀	o	p ₃	q	s	s ₂ x l ₅	Fig.	d	t	u	
603/80	106	156	124	200	749	805	236	358																													
603/90S	111	176	129	200	767	824	254	358																													
603/90L	113	176	129	200	792	849	279	358																													
603/100	121	194	138	250	830	900	309	366																													
603/112	129	218	152	250	849	923	328	366	180	215	55	70	180	233	155	32	230	178	276	330	4	6	212	32	42	92	112	120	373	155	22	M16X26	1	60	64.4	18	
603/132S	148	258	178	300	918	1001	371	392																													
603/132M	161	258	178	300	956	1039	409	392																													
603/160M	194	310	232	350	1058	1164	484	419	240	260	75	75	240	295	180	36	290	220	355	390	4	7	265	38	50	115	128	150	445	180	26	M16X26	3	65	69.4	18	
603/160L	209	310	232	350	1102	1208	528	419																													
603/180	237	355	290	350	1176	1176	602	419																													
653/100	202	194	138	250	929	999	309	440																													
653/112	210	218	152	250	948	1022	328	440																													
653/132S	229	258	178	300	1001	1084	371	450																													
653/132M	242	258	178	300	1039	1122	409	450																													
653/160M	279	310	232	350	1150	1256	484	486	240	260	75	75	240	295	180	36	290	220	355	390	4	7	265	38	50	115	128	150	445	180	26	M16X26	3	65	69.4	18	
653/160L	294	310	232	350	1194	1300	528	486																													
653/180	327	355	290	350	1268	-	602	486																													
653/200	424	390	341	400	1335	-	669	486																													

(1) Estas dimensiones son orientativas, dependiendo del fabricante del motor.

(1) These dimensions are indicative, they are depending of motor manufacturers.

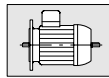
(1) Queste dimensioni sono orientative dipendendo del fabbricante del motore

(1) Estas dimensões são orientativas dependendo do fabricante do Motor.



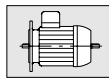
Dimensiones generales de los motores en las págs. 0.14 y 0.15

Los pesos indicados en las tablas son aproximados y corresponden a motores sin freno. Los moto-reductores se suministran con motor forma B5 y caja de bornes posición normal, salvo indicación expresa de lo contrario por el cliente. Nos reservamos el derecho de modificar dimensiones sin que por ello cambie la denominación del reductor. Tenemos a su disposición un CD para sistema CAD con los dibujos a escala de nuestros reductores y accesorios.



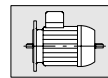
General motors dimensions page 0.14 and 0.15

Unless specified differently by the customer, motor reducers supplied, use B-5 flange mounting motors and normal position terminal board box. Approximate weights are shown in the tables. We reserve the rights to modify any dimensions, without changing the Type number of reducers. CD for CAD systems are also available, providing to scale, drawings of reducers and accessories.



Le dimensioni generali dei motori sono a pagina 0.14 e 0.15

I pesi indicati nella tabella sono approssimativi e appartengono a motori senza freno. I motoriduttori vengono forniti con motore B5 e scatola morsetteria in posizione normale, tranne indicazione diversa richiesta dal cliente. Ci riserviamo il diritto di modificare le dimensioni senza cambiare per questo la denominazione del riduttore. E' disponibile un CD per sistema CAD con disegni in scala dei nostri riduttori ed accessori.



Dimensões gerais dos motores nas págs. 0.14 e 0.15

Os motores são fornecidos na forma B5 e caixa de ligação normal, exceto especificado diferentemente pelo cliente. Os pesos indicados nas tabelas são aproximados. Nos reservamos o direito de modificar dimensões sem alterar o número do tipo do reductor. Temos a sua disposição um CD para sistema CAD com os desenhos dimensionais em escala dos nossos reductores e acessórios.

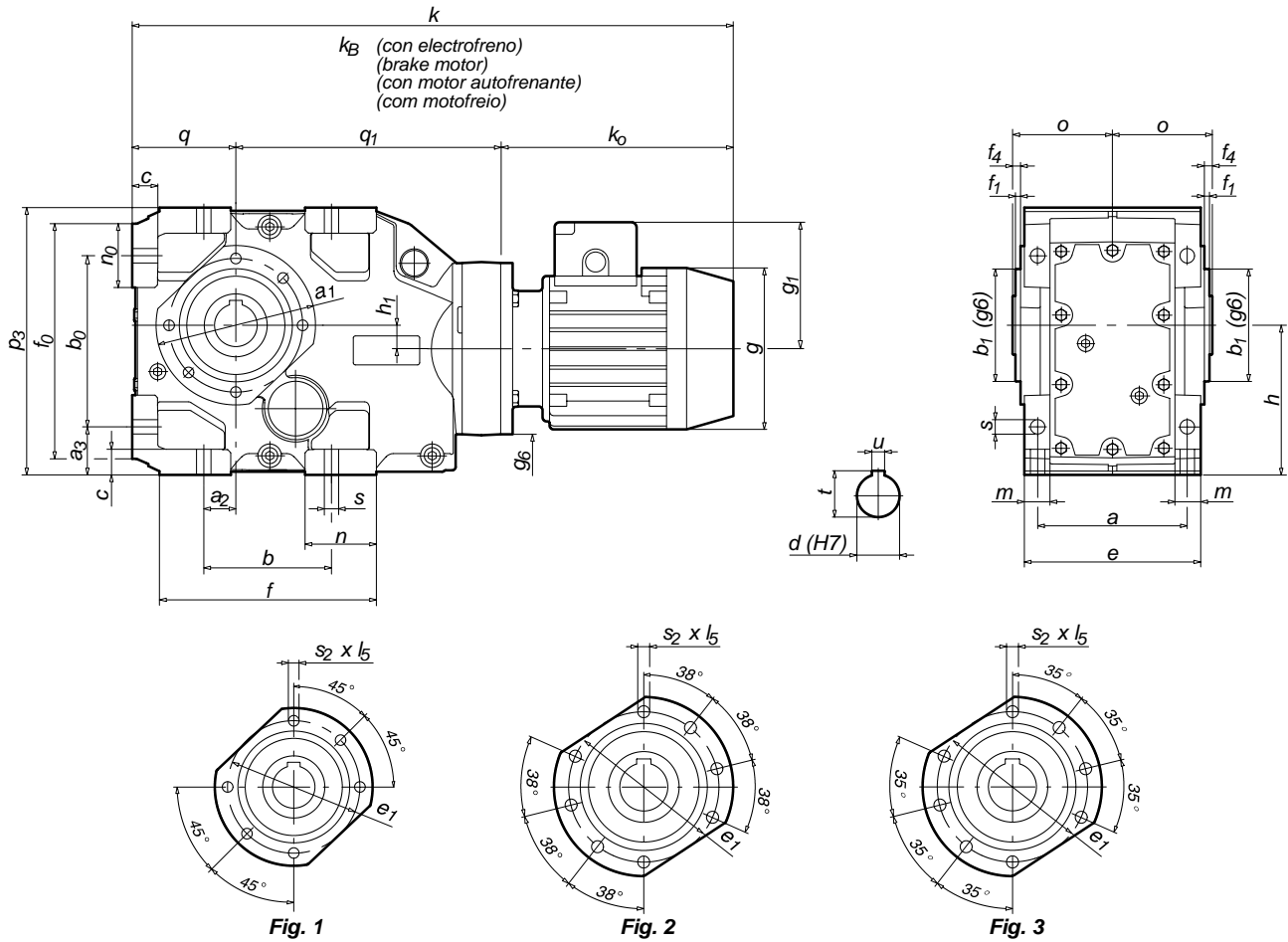
STRATEGY - RIDUTTORI ORTOGONALI KX

“KXCM-KXCMF”
DIMENSIONES (mm)

“KXCM-KXCMF”
DIMENSIONS (mm)

“KXCM-KXCMF”
DIMENSIONI (mm)

“KXCM-KXCMF”
DIMENSÕES (mm)



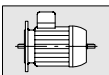
Tipo	Peso	g	g ₁	g ₆	k	k _B	k ₀	q ₁	a	a ₁	a ₂	a ₃	b	b ₀	b ₁	c	e	e ₁	f	f ₀	f ₁	f ₄	h	h ₁	m	n	n ₀	o	p ₃	q	s	s ₂ x l ₅	Fig.	d	t	u	
703/100	202	194	138	250	929	999	309	440																													
703/112	210	218	152	250	948	1022	328	440																													
703/132S	229	258	178	300	1001	1084	371	450																													
703/132M	242	258	178	300	1039	1122	409	450	240	260	75	75	240	295	180	36	290	220	355	390	4	7	265	38	50	115	128	150	445	180	26	M16x26	3	70	74.9	20	
703/160M	279	310	232	350	1150	1256	484	486																													
703/160L	294	310	232	350	1194	1300	528	486																													
703/180	327	355	290	350	1268	1268	602	486																													
703/200	424	390	341	400	1335	1335	669	486																													
803/132S	350	258	178	300	1198.5	1281.5	371	527.5																													
803/132M	363	258	178	300	1236.5	1319.5	409	527.5																													
803/160M	400	310	232	350	1366	1472	484	552																													
803/160L	415	310	232	350	1410	1516	528	552	270	300	95	95	280	360	210	40	340	260	420	480	4	8	315	52	60	135	160	175	550	220	33	M20x30	3	80	85.4	22	
803/180	448	355	290	350	1484	-	602	552																													
803/200	545	390	341	400	1552	-	669	553																													
803/225S	635	399	345	450	1609.5	-	665	584.5																													
803/225M	700	399	345	450	1622.5	-	678	584.5																													

(1) Estas dimensiones son orientativas, dependiendo del fabricante del motor.

(1) These dimensions are indicative, they are depending of motor manufacturers.

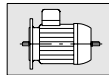
(1) Queste dimensioni sono orientative dipendendo del fabbricante del motore

(1) Estas dimensões são orientativas dependendo do fabricante do Motor.



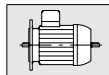
Dimensiones generales de los motores en las págs. 0.14 y 0.15

Los pesos indicados en las tablas son aproximados y corresponden a motores sin freno. Los moto-reductores se suministran con motor forma B5 y caja de bornes posición normal, salvo indicación expresa de lo contrario por el cliente. Nos reservamos el derecho de modificar dimensiones sin que por ello cambie la denominación del reductor. Tenemos a su disposición un CD para sistema CAD con los dibujos a escala de nuestros reductores y accesorios.



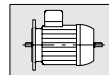
General motors dimensions page 0.14 and 0.15

Unless specified differently by the customer, motor reducers supplied, use B-5 flange mounting motors and normal position terminal board box. Approximate weights are shown in the tables. We reserve the rights to modify any dimensions, without changing the Type number of reducers. CD for CAD systems are also available, providing to scale, drawings of reducers and accessories.



Le dimensioni generali dei motori sono a pagina 0.14 e 0.15

I pesi indicati nella tabella sono approssimativi e appartengono a motori senza freno. I motoriduttori vengono forniti con motore B5 e scatola morsettiera in posizione normale, tranne indicazione diversa richiesta dal cliente. Ci riserviamo il diritto di modificare le dimensioni senza cambiare per questo la denominazione del riduttore. E' disponibile un CD per sistema CAD con disegni in scala dei nostri riduttori ed accessori.



Dimensões gerais dos motores nas págs. 0.14 e 0.15

Os motores são fornecidos na forma B5 e caixa de ligação normal, exceto especificado diferentemente pelo cliente. Os pesos indicados nas tabelas são aproximados. Nos reservamos o direito de modificar dimensões sem alterar o número do tipo do reductor. Temos a sua disposição um CD para sistema CAD com os desenhos dimensionais em escala dos nossos reductores e acessórios.

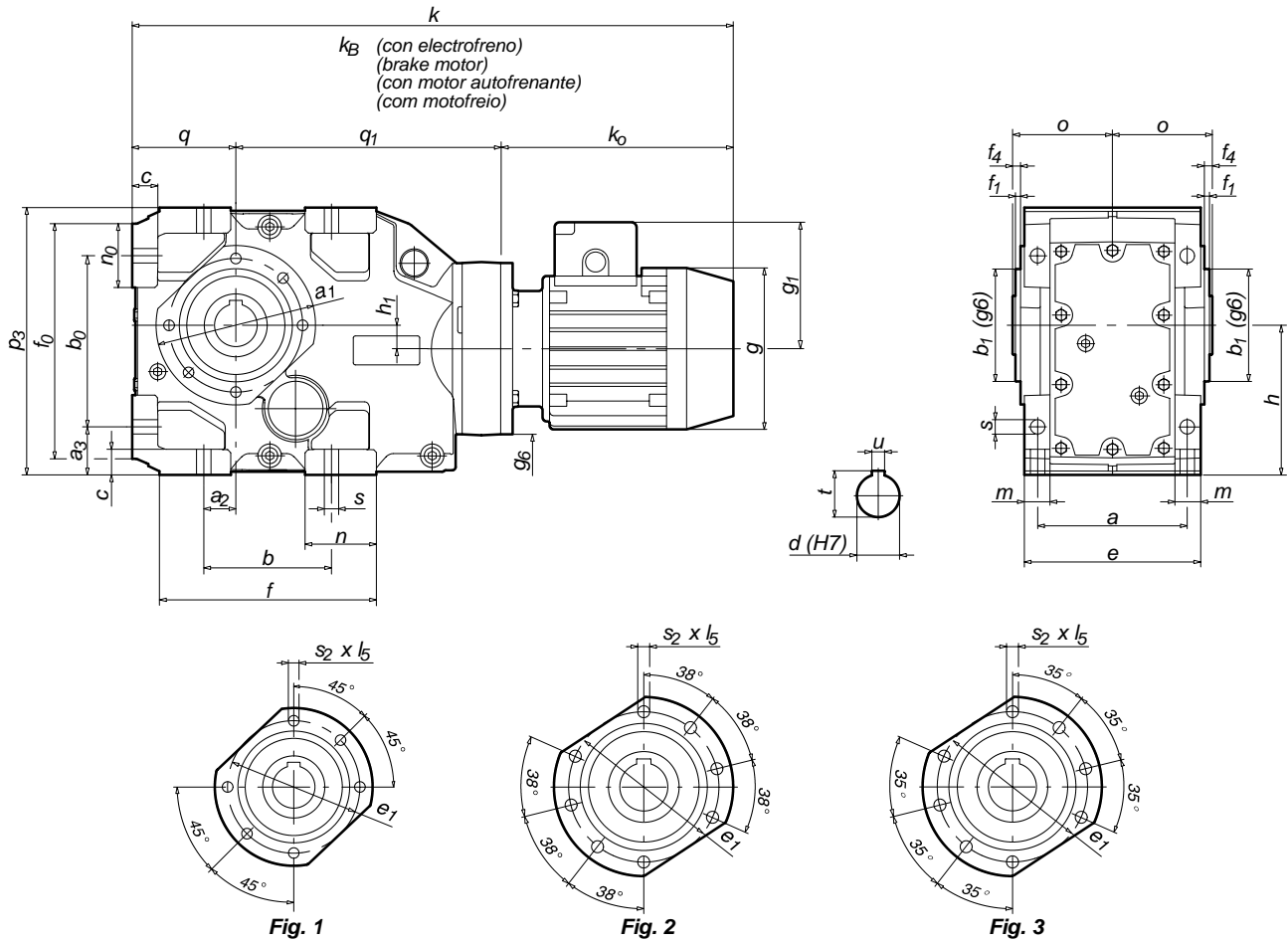
STRATEGY - RIDUTTORI ORTOGONALI KX

“KXCM-KXCMF”
DIMENSIONES (mm)

“KXCM-KXCMF”
DIMENSIONS (mm)

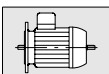
“KXCM-KXCMF”
DIMENSIONI (mm)

“KXCM-KXCMF”
DIMENSÕES (mm)



Tipo	Peso																																			
Type	Weight																																			
Tipo	Peso	k	k _B	k ₀																																
Tipo	[Kg]	(1)	(1)	(1)	q ₁	a	a ₁	a ₂	a ₃	b	b ₀	b ₁	c	e	e ₁	f	f ₀	f ₁	f ₄	h	h ₁	m	n	n ₀	o	p ₃	q	s	s ₂ x l ₅	Fig.	d	t	u			
903/132S	350	258	178	300	1198.5	1281.5	371	527.5																												
903/132M	363	258	178	300	1236.5	1319.5	409	527.5																												
903/160M	400	310	232	350	1366	1472	484	552																												
903/160L	415	310	232	350	1410	1516	528	552	270	300	95	95	280	360	210	40	340	260	420	480	4	8	315	52	60	135	160	175	550	220	33	M20x30	3	90	95.4	25
903/180	448	355	290	350	1484	-	602	552																												
903/200	545	390	341	400	1552	-	669	553																												
903/225S	635	399	345	450	1609.5	-	665	584.5																												
903/225M	700	399	345	450	1622.5	-	678	584.5																												

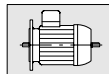
(1) Estas dimensiones son orientativas, dependiendo del fabricante del motor.



Dimensiones generales de los motores en las págs. 0.14 y 0.15

Los pesos indicados en las tablas son aproximados y corresponden a motores sin freno. Los moto-reductores se suministran con motor forma B5 y caja de bornes posición normal, salvo indicación expresa de lo contrario por el cliente. Nos reservamos el derecho de modificar dimensiones sin que por ello cambie la denominación del reductor. Tenemos a su disposición un CD para sistema CAD con los dibujos a escala de nuestros reductores y accesorios.

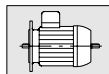
(1) These dimensions are indicative, they are depending of motor manufacturers.



General motors dimensions page 0.14 and 0.15

Unless specified differently by the customer, motor reducers supplied, use B-5 flange mounting motors and normal position terminal board box. Approximate weights are shown in the tables. We reserve the rights to modify any dimensions, without changing the Type number of reducers. CD for CAD systems are also available, providing to scale, drawings of reducers and accessories.

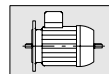
(1) Queste dimensioni sono orientative dipendendo del fabbricante del motore



Le dimensioni generali dei motori sono a pagina 0.14 e 0.15

I pesi indicati nella tabella sono approssimativi e appartengono a motori senza freno. I motoriduttori vengono forniti con motore B5 e scatola morsettiera in posizione normale, tranne indicazione diversa richiesta dal cliente. Ci riserviamo il diritto di modificare le dimensioni senza cambiare per questo la denominazione del riduttore. E' disponibile un CD per sistema CAD con disegni in scala dei nostri riduttori ed accessori.

(1) Estas dimensões são orientativas dependendo do fabricante do Motor.



Dimensões gerais dos motores nas págs. 0.14 e 0.15

Os motores são fornecidos na forma B5 e caixa de ligação normal, exceto especificado diferentemente pelo cliente. Os pesos indicados nas tabelas são aproximados. Nos reservamos o direito de modificar dimensões sem alterar o número do tipo do reductor. Temos a sua disposição um CD para sistema CAD com os desenhos dimensionais em escala dos nossos reductores e acessórios.

REDUCTORES

Serie "KXC"

Para acoplar directamente a motores con brida según norma IEC-DIN 42677

GEARED UNITS

Serie "KXC"

To couple directly to motors with flanges according to DIN standards 42677

RIDUTTORI

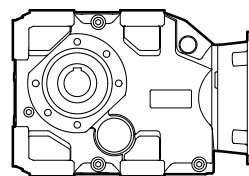
Serie "KXC"

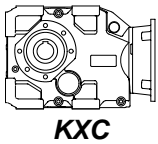
Da accoppiare direttamente ai motori con flangia secondo normativa IEC-DIN 42677

REDUTORES

Série "KXC"

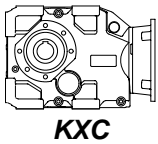
Para acoplar directamente a motores com flange conf. norma IEC-DIN 42677





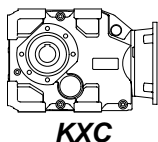
STRATEGY - RIDUTTORI ORTOGONALI KX

PROGRAMA DE FABRICACIÓN	MANUFACTURE PROGRAMME		PROGRAMMA DI FABBRICAZIONE			PROGRAMA DE FABRICAÇÃO	
Acoplamiento motor \varnothing Brida- \varnothing Eje Potencia motor (kW) Coupling of motor \varnothing Flange- \varnothing Shaft Motor power (kW) Accoppiamento motore \varnothing Flangia- \varnothing Albero Potenza motore (kW) Montagem motor \varnothing Flange- \varnothing Eixo Potência motor (kW)	Valores para n1 = 1400		Values for n1 = 1400			Valori per n1 = 1400	Valores para n1 = 1400
	M_2 (max) [Nm]	i_R	P [kW]	n_2 [1/min]	F_{Ra} [N]	Tipo Type Tipo	Código Ref. Codigo Código
140-11 (0.12-0.18)	691	153.78	0.7	9.1	11000	KXC 403/153.78/140-11	3037118540
	608	135.19	0.7	10	10900	KXC 403/135.19/140-11	3037118520
	535	118.97	0.7	12	10800	KXC 403/118.97/140-11	3037118500
	490	108.94	0.7	13	10900	KXC 403/108.94/140-11	3037118490
	444	98.75	0.7	14	10600	KXC 403/98.75/140-11	3037118470
	430	95.77	0.7	15	10700	KXC 403/95.77/140-11	3037118460
	379	84.28	0.7	17	10500	KXC 403/84.28/140-11	3037118440
	247	55.07	0.7	25	10000	KXC 403/55.07/140-11	3037118390
	622	153.78	0.63	9.1	9900	KXC 353/153.78/140-11	3037111540
	547	135.19	0.63	10	9810	KXC 353/135.19/140-11	3037111520
	481	118.97	0.63	12	9720	KXC 353/118.97/140-11	3037111500
	441	108.94	0.63	13	9810	KXC 353/108.94/140-11	3037111490
	399	98.75	0.63	14	9540	KXC 353/98.75/140-11	3037111470
	387	95.77	0.63	15	9630	KXC 353/95.77/140-11	3037111460
	341	84.28	0.63	17	9450	KXC 353/84.28/140-11	3037111440
	223	55.07	0.63	25	9000	KXC 353/55.07/140-11	3037111390
213	158.14	0.21	8.9	8600	KXC 303/158.14/140-11	3037100540	
198	147.16	0.21	9.5	8500	KXC 303/147.16/140-11	3037100530	
173	128.68	0.21	11	8400	KXC 303/128.68/140-11	3037100510	
284	113.27	0.39	12	7100	KXC 303/113.27/140-11	3037100490	
264	105.41	0.39	13	7100	KXC 303/105.41/140-11	3037100480	
231	92.17	0.39	15	7000	KXC 303/92.17/140-11	3037100450	
204	81.45	0.39	17	6900	KXC 303/81.45/140-11	3037100430	
216	67.21	0.5	21	6400	KXC 303/67.21/140-11	3037100410	
201	62.54	0.5	22	6400	KXC 303/62.54/140-11	3037100400	
176	54.69	0.5	26	6300	KXC 303/54.69/140-11	3037100380	
275	48.14	0.89	29	5200	KXC 303/48.14/140-11	3037100370	
256	44.8	0.89	31	5200	KXC 303/44.8/140-11	3037100360	
224	39.17	0.89	36	5200	KXC 303/39.17/140-11	3037100340	
198	34.62	0.89	40	5200	KXC 303/34.62/140-11	3037100330	
210	29.75	1.1	47	4900	KXC 303/29.75/140-11	3037100310	
196	27.69	1.1	51	4800	KXC 303/27.69/140-11	3037100300	
243	23.95	1.6	58	4600	KXC 303/23.95/140-11	3037100280	
271	21.31	2	66	3700	KXC 303/21.31/140-11	3037100250	
252	19.83	2	71	3800	KXC 303/19.83/140-11	3037100240	
220	17.34	2	81	3800	KXC 303/17.34/140-11	3037100210	
195	15.33	2	91	3900	KXC 303/15.33/140-11	3037100190	
174	13.66	2	102	3900	KXC 303/13.66/140-11	3037100180	
156	12.26	2	114	3900	KXC 303/12.26/140-11	3037100160	
147	10.6	2.2	132	4000	KXC 303/10.6/140-11	3037100150	
137	9.87	2.2	142	4000	KXC 303/9.87/140-11	3037100140	
120	8.63	2.2	162	4000	KXC 303/8.63/140-11	3037100110	
106	7.62	2.2	184	3950	KXC 303/7.62/140-11	3037100080	
94	6.79	2.2	206	3950	KXC 303/6.79/140-11	3037100070	
85	6.1	2.2	230	3950	KXC 303/6.1/140-11	3037100050	
160-14 (0.25-0.37)	1491	209.22	1.1	6.7	15100	KXC 503/209.22/160-14	3037121580
	1285	180.27	1.1	7.8	15200	KXC 503/180.27/160-14	3037121570



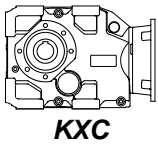
STRATEGY - RIDUTTORI ORTOGONALI KX

PROGRAMA DE FABRICACIÓN	MANUFACTURE PROGRAMME	PROGRAMMA DI FABBRICAZIONE			PROGRAMA DE FABRICAÇÃO		
Acoplamiento motor ØBrida-ØEje Potencia motor (kW) Coupling of motor ØFlange-ØShaft Motor power (kW) Accoppiamento motore ØFlangia-ØAlbero Potenza motore (kW) Montagem motor ØFlange-ØEixo Potência motor (kW)	Valores para n1 = 1400	Values for n1 = 1400	Valori per n1 = 1400	Valores para n1 = 1400			
160-14 (0.25-0.37)	M ₂ (max) [Nm]	i _R	P [kW]	n ₂ [1/min]	F _{Ra} [N]	Tipo Type Tipo Tipo	Código Ref. Codice Código
	1395	153	1.4	9.2	13800	KXC 503/153/160-14	3037121540
	1052	147.69	1.1	9.5	15100	KXC 503/147.69/160-14	3037121530
	1202	131.82	1.4	11	13900	KXC 503/131.82/160-14	3037121520
	1121	123	1.4	11	13900	KXC 503/123/160-14	3037121510
	996	109.28	1.4	13	14100	KXC 503/109.28/160-14	3037121490
	858	94.16	1.4	15	14000	KXC 503/94.16/160-14	3037121460
	801	87.85	1.4	16	13900	KXC 503/87.85/160-14	3037121450
	703	77.14	1.4	18	13700	KXC 503/77.14/160-14	3037121430
	1342	209.22	1	6.7	13590	KXC 453/209.22/160-14	3037156580
	1156	180.27	1	7.8	13680	KXC 453/180.27/160-14	3037156570
	1255	153	1.3	9.2	12420	KXC 453/153/160-14	3037156540
	947	147.69	1	9.5	13590	KXC 453/147.69/160-14	3037156530
	1082	131.82	1.3	11	12510	KXC 453/131.82/160-14	3037156520
	1009	123	1.3	11	12510	KXC 453/123/160-14	3037156510
	897	109.28	1.3	13	12690	KXC 453/109.28/160-14	3037156490
	773	94.16	1.3	15	12600	KXC 453/94.16/160-14	3037156460
	721	87.85	1.3	16	12510	KXC 453/87.85/160-14	3037156450
	633	77.14	1.3	18	12330	KXC 453/77.14/160-14	3037156430
	632	153.78	0.64	9.1	11300	KXC 403/153.78/160-14	3037114540
	555	135.19	0.64	10	11200	KXC 403/135.19/160-14	3037114520
	489	118.97	0.64	12	11100	KXC 403/118.97/160-14	3037114500
	448	108.94	0.64	13	11100	KXC 403/108.94/160-14	3037114490
	406	98.75	0.64	14	10800	KXC 403/98.75/160-14	3037114480
	393	95.77	0.64	15	10900	KXC 403/95.77/160-14	3037114470
	346	84.28	0.64	17	10700	KXC 403/84.28/160-14	3037114440
	226	55.07	0.64	25	10100	KXC 403/55.07/160-14	3037114390
	569	153.78	0.58	9.1	10170	KXC 353/153.78/160-14	3037107540
	500	135.19	0.58	10	10080	KXC 353/135.19/160-14	3037107520
	440	118.97	0.58	12	9990	KXC 353/118.97/160-14	3037107500
	403	108.94	0.58	13	9990	KXC 353/108.94/160-14	3037107490
	365	98.75	0.58	14	9720	KXC 353/98.75/160-14	3037107480
	354	95.77	0.58	15	9810	KXC 353/95.77/160-14	3037107470
	312	84.28	0.58	17	9630	KXC 353/84.28/160-14	3037107440
	204	55.07	0.58	25	9090	KXC 353/55.07/160-14	3037107390
	213	158.14	0.21	8.9	8600	KXC 303/158.14/160-14	3037101540
	198	147.16	0.21	9.5	8500	KXC 303/147.16/160-14	3037101530
	173	128.68	0.21	11	8400	KXC 303/128.68/160-14	3037101510
	284	113.27	0.39	12	7100	KXC 303/113.27/160-14	3037101490
	264	105.41	0.39	13	7100	KXC 303/105.41/160-14	3037101480
	231	92.17	0.39	15	7000	KXC 303/92.17/160-14	3037101450
	204	81.45	0.39	17	6900	KXC 303/81.45/160-14	3037101430
	216	67.21	0.5	21	6400	KXC 303/67.21/160-14	3037101410
	201	62.54	0.5	22	6400	KXC 303/62.54/160-14	3037101400
	176	54.69	0.5	26	6300	KXC 303/54.69/160-14	3037101380
	275	48.14	0.89	29	5200	KXC 303/48.14/160-14	3037101350
	256	44.8	0.89	31	5200	KXC 303/44.8/160-14	3037101370
	224	39.17	0.89	36	5200	KXC 303/39.17/160-14	3037101340



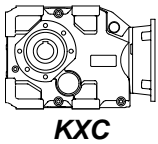
STRATEGY - RIDUTTORI ORTOGONALI KX

PROGRAMA DE FABRICACIÓN	MANUFACTURE PROGRAMME	PROGRAMMA DI FABBRICAZIONE				PROGRAMA DE FABRICAÇÃO	
Acoplamiento motor ØBrida-ØEje Potencia motor (kW) Coupling of motor ØFlange-ØShaft Motor power (kW) Accoppiamento motore ØFlangia-ØAlbero Potenza motore (kW) Montagem motor ØFlange-ØEixo Potência motor (kW)	Valores para n1 = 1400	Values for n1 = 1400	Valori per n1 = 1400	Valores para n1 = 1400			
	M ₂ (max) [Nm]	i _R	P [kW]	n ₂ [1/min]	F _{Ra} [N]	Tipo Type Tipo Tipo	Código Ref. Codice Código
160-14 (0.25-0.37)	198	34.62	0.89	40	5200	KXC 303/34.62/160-14	3037101330
	210	29.75	1.1	47	4900	KXC 303/29.75/160-14	3037101310
	196	27.69	1.1	51	4800	KXC 303/27.69/160-14	3037101300
	243	23.95	1.6	58	4600	KXC 303/23.95/160-14	3037101280
	271	21.31	2	66	3700	KXC 303/21.31/160-14	3037101250
	252	19.83	2	71	3800	KXC 303/19.83/160-14	3037101240
	220	17.34	2	81	3800	KXC 303/17.34/160-14	3037101210
	195	15.33	2	91	3900	KXC 303/15.33/160-14	3037101190
	174	13.66	2	102	3900	KXC 303/13.66/160-14	3037101180
	156	12.26	2	114	3900	KXC 303/12.26/160-14	3037101160
	142	10.6	2.1	132	4000	KXC 303/10.6/160-14	3037101150
	132	9.87	2.1	142	4000	KXC 303/9.87/160-14	3037101140
	116	8.63	2.1	162	4000	KXC 303/8.63/160-14	3037101110
	102	7.62	2.1	184	3950	KXC 303/7.62/160-14	3037101080
91	6.79	2.1	206	3950	KXC 303/6.79/160-14	3037101060	
82	6.1	2.1	230	3950	KXC 303/6.1/160-14	3037101050	
200-19 (0.55-0.75)	2762	172.79	2.5	8.1	15300	KXC 603/172.79/200-19	3037128560
	2571	160.83	2.5	8.7	15500	KXC 603/160.83/200-19	3037128550
	2767	138.16	3.1	10	13800	KXC 603/138.16/200-19	3037128520
	2790	128.6	3.4	11	13000	KXC 603/128.6/200-19	3037128510
	2441	112.51	3.4	12	13400	KXC 603/112.51/200-19	3037128500
	2157	99.4	3.4	14	14200	KXC 603/99.4/200-19	3037128470
	2008	92.53	3.4	15	14300	KXC 603/92.53/200-19	3037128460
	1757	80.95	3.4	17	14400	KXC 603/80.95/200-19	3037128440
	2486	172.79	2.2	8.1	13770	KXC 553/172.79/200-19	3037163560
	2314	160.83	2.2	8.7	13950	KXC 553/160.83/200-19	3037163550
	2491	138.16	2.8	10	12420	KXC 553/138.16/200-19	3037163520
	2511	128.6	3	11	11700	KXC 553/128.6/200-19	3037163510
	2197	112.51	3	12	12060	KXC 553/112.51/200-19	3037163500
	1941	99.4	3	14	12780	KXC 553/99.4/200-19	3037163470
	1807	92.53	3	15	12870	KXC 553/92.53/200-19	3037163460
	1581	80.95	3	17	12960	KXC 553/80.95/200-19	3037163440
	1491	209.22	1.1	6.7	15100	KXC 503/209.22/200-19	3037122580
	1285	180.27	1.1	7.8	15200	KXC 503/180.27/200-19	3037122570
	1689	153	1.7	9.2	12300	KXC 503/153/200-19	3037122540
	1052	147.69	1.1	9.5	15100	KXC 503/147.69/200-19	3037122530
	1498	131.82	1.8	11	12100	KXC 503/131.82/200-19	3037122520
	1398	123	1.8	11	12200	KXC 503/123/200-19	3037122510
	1663	109.28	2.4	13	10400	KXC 503/109.28/200-19	3037122490
	1560	94.16	2.6	15	10100	KXC 503/94.16/200-19	3037122460
	1455	87.85	2.6	16	10200	KXC 503/87.85/200-19	3037122450
	1278	77.14	2.6	18	10400	KXC 503/77.14/200-19	3037122430
	1342	209.22	1	6.7	13590	KXC 453/209.22/200-19	3037157580
	1156	180.27	1	7.8	13680	KXC 453/180.27/200-19	3037157570
	1520	153	1.5	9.2	11070	KXC 453/153/200-19	3037157540
	947	147.69	1	9.5	13590	KXC 453/147.69/200-19	3037157530
	1348	131.82	1.6	11	10890	KXC 453/131.82/200-19	3037157520



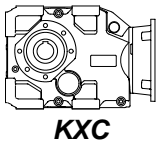
STRATEGY - RIDUTTORI ORTOGONALI KX

PROGRAMA DE FABRICACIÓN	MANUFACTURE PROGRAMME	PROGRAMMA DI FABBRICAZIONE			PROGRAMA DE FABRICAÇÃO		
Acoplamiento motor \varnothing Brida- \varnothing Eje Potencia motor (kW) Coupling of motor \varnothing Flange- \varnothing Shaft Motor power (kW) Accoppiamento motore \varnothing Flangia- \varnothing Albero Potenza motore (kW) Montagem motor \varnothing Flange- \varnothing Eixo Potência motor (kW)	Valores para n1 = 1400	Values for n1 = 1400	Valori per n1 = 1400	Valores para n1 = 1400			
200-19 (0.55-0.75)	M₂ (max) [Nm]	i_R	P [kW]	n₂ [1/min]	F_{Ra} [N]	Tipo Type Tipo Tipo	Código Ref. Codice Código
	1258	123	1.6	11	10980	KXC 453/123/200-19	3037157510
	1496	109.28	2.1	13	9360	KXC 453/109.28/200-19	3037157490
	1404	94.16	2.3	15	9090	KXC 453/94.16/200-19	3037157460
	1310	87.85	2.3	16	9180	KXC 453/87.85/200-19	3037157450
	1150	77.14	2.3	18	9360	KXC 453/77.14/200-19	3037157430
	889	153.78	0.9	9.1	9800	KXC 403/153.78/200-19	3037115540
	781	135.19	0.9	10	9800	KXC 403/135.19/200-19	3037115520
	687	118.97	0.9	12	9800	KXC 403/118.97/200-19	3037115500
	944	108.94	1.4	13	7900	KXC 403/108.94/200-19	3037115490
	571	98.75	0.9	14	9700	KXC 403/98.75/200-19	3037115480
	953	95.77	1.6	15	7300	KXC 403/95.77/200-19	3037115470
	866	84.28	1.6	17	7500	KXC 403/84.28/200-19	3037115440
	894	69.6	2	20	6850	KXC 403/69.6/200-19	3037115410
	786	61.19	2	23	7000	KXC 403/61.19/200-19	3037115400
	636	55.07	1.8	25	7700	KXC 403/55.07/200-19	3037115390
	918	49.3	2.9	28	5600	KXC 403/49.3/200-19	3037115370
	807	43.34	2.9	32	5800	KXC 403/43.34/200-19	3037115350
	710	38.14	2.9	37	6000	KXC 403/38.14/200-19	3037115340
	661	35.5	2.9	39	6000	KXC 403/35.5/200-19	3037115330
	464	24.93	2.9	56	6500	KXC 403/24.93/200-19	3037115290
	408	21.91	2.9	64	6500	KXC 403/21.91/200-19	3037115260
	334	17.95	2.9	78	6500	KXC 403/17.95/200-19	3037115220
	800	153.78	0.81	9.1	8820	KXC 353/153.78/200-19	3037108540
	703	135.19	0.81	10	8820	KXC 353/135.19/200-19	3037108520
	619	118.97	0.81	12	8820	KXC 353/118.97/200-19	3037108500
	850	108.94	1.2	13	7110	KXC 353/108.94/200-19	3037108490
	514	98.75	0.81	14	8730	KXC 353/98.75/200-19	3037108480
	858	95.77	1.4	15	6570	KXC 353/95.77/200-19	3037108470
	779	84.28	1.4	17	6750	KXC 353/84.28/200-19	3037108440
	804	69.6	1.8	20	6165	KXC 353/69.6/200-19	3037108410
	707	61.19	1.8	23	6300	KXC 353/61.19/200-19	3037108400
	573	55.07	1.6	25	6930	KXC 353/55.07/200-19	3037108390
	826	49.3	2.6	28	5040	KXC 353/49.3/200-19	3037108370
	726	43.34	2.6	32	5220	KXC 353/43.34/200-19	3037108350
	639	38.14	2.6	37	5400	KXC 353/38.14/200-19	3037108340
	595	35.5	2.6	39	5400	KXC 353/35.5/200-19	3037108330
	418	24.93	2.6	56	5850	KXC 353/24.93/200-19	3037108290
	367	21.91	2.6	64	5850	KXC 353/21.91/200-19	3037108260
	301	17.95	2.6	78	5850	KXC 353/17.95/200-19	3037108220
	216	67.21	0.5	21	6400	KXC 303/67.21/200-19	3037102410
	201	62.54	0.5	22	6400	KXC 303/62.54/200-19	3037102400
	176	54.69	0.5	26	6300	KXC 303/54.69/200-19	3037102390
	275	48.14	0.89	29	5200	KXC 303/48.14/200-19	3037102370
	256	44.8	0.89	31	5200	KXC 303/44.8/200-19	3037102360
	224	39.17	0.89	36	5200	KXC 303/39.17/200-19	3037102340
	198	34.62	0.89	40	5200	KXC 303/34.62/200-19	3037102330
	210	29.75	1.1	47	4900	KXC 303/29.75/200-19	3037102310



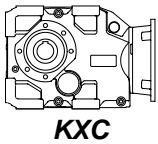
STRATEGY - RIDUTTORI ORTOGONALI KX

PROGRAMA DE FABRICACIÓN	MANUFACTURE PROGRAMME	PROGRAMMA DI FABBRICAZIONE				PROGRAMA DE FABRICAÇÃO	
Acoplamiento motor ØBrida-ØEje Potencia motor (kW) Coupling of motor ØFlange-ØShaft Motor power (kW) Accoppiamento motore ØFlangia-ØAlbero Potenza motore (kW) Montagem motor ØFlange-ØEixo Potência motor (kW)	Valores para n1 = 1400	Values for n1 = 1400	Valori per n1 = 1400	Valores para n1 = 1400			
	M ₂ (max) [Nm]	i _R	P [kW]	n ₂ [1/min]	F _{Ra} [N]	Tipo Type Tipo Tipo	Código Ref. Codice Código
200-19 (0.55-0.75)	196	27.69	1.1	51	4800	KXC 303/27.69/200-19	3037102300
	243	23.95	1.6	58	4600	KXC 303/23.95/200-19	3037102280
	271	21.31	2	66	3700	KXC 303/21.31/200-19	3037102250
	252	19.83	2	71	3800	KXC 303/19.83/200-19	3037102240
	220	17.34	2	81	3800	KXC 303/17.34/200-19	3037102210
	195	15.33	2	91	3900	KXC 303/15.33/200-19	3037102190
	174	13.66	2	102	3900	KXC 303/13.66/200-19	3037102180
	156	12.26	2	114	3900	KXC 303/12.26/200-19	3037102160
	171	10.6	2.5	132	3750	KXC 303/10.6/200-19	3037102150
	159	9.87	2.5	142	3750	KXC 303/9.87/200-19	3037102140
	139	8.63	2.5	162	3900	KXC 303/8.63/200-19	3037102110
	123	7.62	2.5	184	3800	KXC 303/7.62/200-19	3037102080
	109	6.79	2.5	206	3800	KXC 303/6.79/200-19	3037102060
98	6.1	2.5	230	3800	KXC 303/6.1/200-19	3037102050	
200-24 (1.1-1.5)	2762	172.79	2.5	8.1	15300	KXC 603/172.79/200-24	3037129560
	2571	160.83	2.5	8.7	15500	KXC 603/160.83/200-24	3037129550
	2767	138.16	3.1	10	13800	KXC 603/138.16/200-24	3037129520
	2790	128.6	3.4	11	13000	KXC 603/128.6/200-24	3037129510
	2441	112.51	3.4	12	13400	KXC 603/112.51/200-24	3037129500
	2157	99.4	3.4	14	14200	KXC 603/99.4/200-24	3037129470
	2008	92.53	3.4	15	14300	KXC 603/92.53/200-24	3037129460
	1757	80.95	3.4	17	14400	KXC 603/80.95/200-24	3037129440
	2486	172.79	2.2	8.1	13770	KXC 553/172.79/200-24	3037164560
	2314	160.83	2.2	8.7	13950	KXC 553/160.83/200-24	3037164550
	2491	138.16	2.8	10	12420	KXC 553/138.16/200-24	3037164520
	2511	128.6	3	11	11700	KXC 553/128.6/200-24	3037164510
	2197	112.51	3	12	12060	KXC 553/112.51/200-24	3037164500
	1941	99.4	3	14	12780	KXC 553/99.4/200-24	3037164470
	1807	92.53	3	15	12870	KXC 553/92.53/200-24	3037164460
	1581	80.95	3	17	12960	KXC 553/80.95/200-24	3037164440
	1491	209.22	1.1	6.7	15100	KXC 503/209.22/200-24	3037123580
	1285	180.27	1.1	7.8	15200	KXC 503/180.27/200-24	3037123570
	1689	153	1.7	9.2	12300	KXC 503/153/200-24	3037123540
	1052	147.69	1.1	9.5	15100	KXC 503/147.69/200-24	3037123530
1498	131.82	1.8	11	12100	KXC 503/131.82/200-24	3037123520	
1398	123	1.8	11	12200	KXC 503/123/200-24	3037123510	
1663	109.28	2.4	13	10400	KXC 503/109.28/200-24	3037123490	
1560	94.16	2.6	15	10100	KXC 503/94.16/200-24	3037123460	
1455	87.85	2.6	16	10200	KXC 503/87.85/200-24	3037123450	
1278	77.14	2.6	18	10400	KXC 503/77.14/200-24	3037123430	
1629	68.95	3.7	20	8400	KXC 503/68.95/200-24	3037123410	
1476	59.41	3.9	24	8400	KXC 503/59.41/200-24	3037123400	
1377	55.43	3.9	25	8500	KXC 503/55.43/200-24	3037123390	
1600	49.25	5.1	28	7100	KXC 503/49.25/200-24	3037123370	
1498	42.43	5.5	33	6900	KXC 503/42.43/200-24	3037123350	
1398	39.59	5.5	35	7100	KXC 503/39.59/200-24	3037123340	
1228	34.77	5.5	40	7400	KXC 503/34.77/200-24	3037123330	



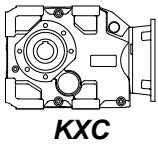
STRATEGY - RIDUTTORI ORTOGONALI KX

PROGRAMA DE FABRICACIÓN	MANUFACTURE PROGRAMME	PROGRAMMA DI FABBRICAZIONE			PROGRAMA DE FABRICAÇÃO		
Acoplamiento motor ØBrida-ØEje Potencia motor (kW) Coupling of motor ØFlange-ØShaft Motor power (kW) Accoppiamento motore ØFlangia-ØAlbero Potenza motore (kW) Montagem motor ØFlange-ØEixo Potência motor (kW)	Valores para n1 = 1400	Values for n1 = 1400	Valori per n1 = 1400	Valores para n1 = 1400			
200-24 (1.1-1.5)	M ₂ (max) [Nm]	i _R	P [kW]	n ₂ [1/min]	F _{Ra} [N]	Tipo Type Tipo Tipo	Código Ref. Codice Código
	1342	209.22	1	6.7	13590	KXC 453/209.22/200-24	3037158580
	1156	180.27	1	7.8	13680	KXC 453/180.27/200-24	3037158570
	1520	153	1.5	9.2	11070	KXC 453/153/200-24	3037158540
	947	147.69	1	9.5	13590	KXC 453/147.69/200-24	3037158530
	1348	131.82	1.6	11	10890	KXC 453/131.82/200-24	3037158520
	1258	123	1.6	11	10980	KXC 453/123/200-24	3037158510
	1496	109.28	2.1	13	9360	KXC 453/109.28/200-24	3037158490
	1404	94.16	2.3	15	9090	KXC 453/94.16/200-24	3037158460
	1310	87.85	2.3	16	9180	KXC 453/87.85/200-24	3037158450
	1150	77.14	2.3	18	9360	KXC 453/77.14/200-24	3037158430
	1466	68.95	3.3	20	7560	KXC 453/68.95/200-24	3037158410
	1328	59.41	3.5	24	7560	KXC 453/59.41/200-24	3037158400
	1239	55.43	3.5	25	7650	KXC 453/55.43/200-24	3037158390
	1440	49.25	4.6	28	6390	KXC 453/49.25/200-24	3037158370
	1348	42.43	5	33	6210	KXC 453/42.43/200-24	3037158350
	1258	39.59	5	35	6390	KXC 453/39.59/200-24	3037158340
	1105	34.77	5	40	6660	KXC 453/34.77/200-24	3037158330
	889	153.78	0.9	9.1	9800	KXC 403/153.78/200-24	3037116540
	781	135.19	0.9	10	9800	KXC 403/135.19/200-24	3037116520
	687	118.97	0.9	12	9800	KXC 403/118.97/200-24	3037116500
	944	108.94	1.4	13	7900	KXC 403/108.94/200-24	3037116490
	571	98.75	0.9	14	9700	KXC 403/98.75/200-24	3037116480
	953	95.77	1.6	15	7300	KXC 403/95.77/200-24	3037116470
	866	84.28	1.6	17	7500	KXC 403/84.28/200-24	3037116440
	894	69.6	2	20	6850	KXC 403/69.6/200-24	3037116410
	786	61.19	2	23	7000	KXC 403/61.19/200-24	3037116400
	636	55.07	1.8	25	7700	KXC 403/55.07/200-24	3037116390
	918	49.3	2.9	28	5600	KXC 403/49.3/200-24	3037116370
	807	43.34	2.9	32	5850	KXC 403/43.34/200-24	3037116350
	710	38.14	2.9	37	6000	KXC 403/38.14/200-24	3037116340
	661	35.5	2.9	39	6050	KXC 403/35.5/200-24	3037116330
	464	24.93	2.9	56	6500	KXC 403/24.93/200-24	3037116280
	408	21.91	2.9	64	6550	KXC 403/21.91/200-24	3037116250
	334	17.95	2.9	78	6550	KXC 403/17.95/200-24	3037116210
	800	153.78	0.81	9.1	8820	KXC 353/153.78/200-24	3037109540
	703	135.19	0.81	10	8820	KXC 353/135.19/200-24	3037109520
	619	118.97	0.81	12	8820	KXC 353/118.97/200-24	3037109500
	850	108.94	1.2	13	7110	KXC 353/108.94/200-24	3037109490
	514	98.75	0.81	14	8730	KXC 353/98.75/200-24	3037109480
	858	95.77	1.4	15	6570	KXC 353/95.77/200-24	3037109470
	779	84.28	1.4	17	6750	KXC 353/84.28/200-24	3037109440
	804	69.6	1.8	20	6165	KXC 353/69.6/200-24	3037109410
	707	61.19	1.8	23	6300	KXC 353/61.19/200-24	3037109400
	573	55.07	1.6	25	6930	KXC 353/55.07/200-24	3037109390
	826	49.3	2.6	28	5040	KXC 353/49.3/200-24	3037109370
	726	43.34	2.6	32	5265	KXC 353/43.34/200-24	3037109350
	639	38.14	2.6	37	5400	KXC 353/38.14/200-24	3037109340
	595	35.5	2.6	39	5445	KXC 353/35.5/200-24	3037109330



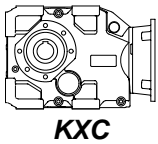
STRATEGY - RIDUTTORI ORTOGONALI KX

PROGRAMA DE FABRICACIÓN	MANUFACTURE PROGRAMME	PROGRAMMA DI FABBRICAZIONE				PROGRAMA DE FABRICAÇÃO	
Acoplamiento motor \varnothing Brida- \varnothing Eje Potencia motor (kW) Coupling of motor \varnothing Flange- \varnothing Shaft Motor power (kW) Accoppiamento motore \varnothing Flangia- \varnothing Albero Potenza motore (kW) Montagem motor \varnothing Flange- \varnothing Eixo Potência motor (kW)	Valores para n1 = 1400	Values for n1 = 1400	Valori per n1 = 1400	Valores para n1 = 1400			
	M_2 (max) [Nm]	i_R	P [kW]	n_2 [1/min]	F_{Ra} [N]	Tipo Type Tipo Código Ref. Codice Código	
200-24 (1.1-1.5)	418	24.93	2.6	56	5850	KXC 353/24.93/200-24	3037109280
	367	21.91	2.6	64	5895	KXC 353/21.91/200-24	3037109250
	301	17.95	2.6	78	5895	KXC 353/17.95/200-24	3037109210
	216	67.21	0.5	21	6400	KXC 303/67.21/200-24	3037103410
	201	62.54	0.5	22	6400	KXC 303/62.54/200-24	3037103400
	176	54.69	0.5	26	6300	KXC 303/54.69/200-24	3037103390
	275	48.14	0.89	29	5200	KXC 303/48.14/200-24	3037103370
	256	44.8	0.89	31	5200	KXC 303/44.8/200-24	3037103360
	224	39.17	0.89	36	5200	KXC 303/39.17/200-24	3037103340
	198	34.62	0.89	40	5200	KXC 303/34.62/200-24	3037103330
	210	29.75	1.1	47	4900	KXC 303/29.75/200-24	3037103310
	196	27.69	1.1	51	4800	KXC 303/27.69/200-24	3037103300
	243	23.95	1.6	58	4450	KXC 303/23.95/200-24	3037103280
	271	21.31	2	66	3700	KXC 303/21.31/200-24	3037103250
	252	19.83	2	71	3800	KXC 303/19.83/200-24	3037103240
	220	17.34	2	81	3800	KXC 303/17.34/200-24	3037103210
	195	15.33	2	91	3900	KXC 303/15.33/200-24	3037103190
	174	13.66	2	102	3900	KXC 303/13.66/200-24	3037103180
	156	12.26	2	114	3900	KXC 303/12.26/200-24	3037103160
	240	10.6	3.5	132	3500	KXC 303/10.6/200-24	3037103150
223	9.87	3.5	142	3600	KXC 303/9.87/200-24	3037103140	
195	8.63	3.5	162	3600	KXC 303/8.63/200-24	3037103110	
172	7.62	3.5	184	3600	KXC 303/7.62/200-24	3037103080	
153	6.79	3.5	206	3600	KXC 303/6.79/200-24	3037103060	
138	6.1	3.5	230	3600	KXC 303/6.1/200-24	3037103050	
250-28 (2.2-3-4)	4680	174.82	4.2	8	18500	KXC 703/174.82/250-28	3037135560
	4233	151.94	4.3	9.2	18800	KXC 703/151.94/250-28	3037135540
	4630	139.78	5.2	10	16500	KXC 703/139.78/250-28	3037135530
	5007	121.49	6.4	12	12400	KXC 703/121.49/250-28	3037135510
	4690	113.79	6.4	12	14100	KXC 703/113.79/250-28	3037135500
	4552	100.57	7.1	14	14000	KXC 703/100.57/250-28	3037135480
	4517	85.8	8.2	16	12900	KXC 703/85.8/250-28	3037135450
	4174	74.57	8.7	19	12800	KXC 703/74.57/250-28	3037135430
	4019	72.37	8.7	19	12600	KXC 703/72.37/250-28	3037135420
	4934	59.62	13	23	8000	KXC 703/59.62/250-28	3037135400
	4621	55.84	13	25	8500	KXC 703/55.84/250-28	3037135390
	4392	49.36	14	28	8200	KXC 703/49.36/250-28	3037135370
	3869	40.18	15	35	9400	KXC 703/40.18/250-28	3037135340
	3420	35.52	15	39	10100	KXC 703/35.52/250-28	3037135330
	3050	31.67	15	44	10600	KXC 703/31.67/250-28	3037135320
	2738	28.43	15	49	11100	KXC 703/28.43/250-28	3037135300
	4212	174.82	3.8	8	16650	KXC 653/174.82/250-28	3037170560
	3810	151.94	3.9	9.2	16920	KXC 653/151.94/250-28	3037170540
	4167	139.78	4.6	10	14850	KXC 653/139.78/250-28	3037170530
	4507	121.49	5.8	12	11160	KXC 653/121.49/250-28	3037170510
4221	113.79	5.8	12	12690	KXC 653/113.79/250-28	3037170500	
4097	100.57	6.3	14	12600	KXC 653/100.57/250-28	3037170480	



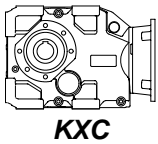
STRATEGY - RIDUTTORI ORTOGONALI KX

PROGRAMA DE FABRICACIÓN	MANUFACTURE PROGRAMME		PROGRAMMA DI FABBRICAZIONE			PROGRAMA DE FABRICAÇÃO	
Acoplamiento motor ØBrida-ØEje Potencia motor (kW) Coupling of motor ØFlange-ØShaft Motor power (kW) Accoppiamento motore ØFlangia-ØAlbero Potenza motore (kW) Montagem motor ØFlange-ØEixo Potência motor (kW)	Valores para n1 = 1400		Values for n1 = 1400		Valori per n1 = 1400	Valores para n1 = 1400	
250-28 (2.2-3-4)	M ₂ (max) [Nm]	i _R	P [kW]	n ₂ [1/min]	F _{Ra} [N]	Tipo Type Tipo	Código Ref. Codice Código
	4065	85.8	7.4	16	11610	KXC 653/85.8/250-28	3037170450
	3757	74.57	7.8	19	11520	KXC 653/74.57/250-28	3037170430
	3617	72.37	7.8	19	11340	KXC 653/72.37/250-28	3037170420
	4440	59.62	12	23	7200	KXC 653/59.62/250-28	3037170400
	4159	55.84	12	25	7650	KXC 653/55.84/250-28	3037170390
	3953	49.36	12	28	7380	KXC 653/49.36/250-28	3037170370
	3482	40.18	14	35	8460	KXC 653/40.18/250-28	3037170340
	3078	35.52	14	39	9090	KXC 653/35.52/250-28	3037170330
	2745	31.67	14	44	9540	KXC 653/31.67/250-28	3037170320
	2464	28.43	14	49	9990	KXC 653/28.43/250-28	3037170300
	2762	172.79	2.5	8.1	15300	KXC 603/172.79/250-28	3037130560
	2571	160.83	2.5	8.7	15500	KXC 603/160.83/250-28	3037130550
	2767	138.16	3.1	10	13800	KXC 603/138.16/250-28	3037130520
	2980	128.6	3.6	11	12300	KXC 603/128.6/250-28	3037130510
	2651	112.51	3.7	12	12400	KXC 603/112.51/250-28	3037130500
	2718	99.4	4.3	14	11700	KXC 603/99.4/250-28	3037130470
	2929	92.53	4.9	15	10400	KXC 603/92.53/250-28	3037130460
	2671	80.95	5.1	17	10500	KXC 603/80.95/250-28	3037130440
	2669	67.59	6.2	21	9600	KXC 603/67.59/250-28	3037130410
	2872	62.91	7.1	22	8400	KXC 603/62.91/250-28	3037130400
	2615	55.04	7.4	25	8500	KXC 603/55.04/250-28	3037130390
	2622	48.63	8.4	29	8100	KXC 603/48.63/250-28	3037130370
	2827	45.26	9.7	31	6800	KXC 603/45.26/250-28	3037130360
	2568	39.6	10	35	7100	KXC 603/39.6/250-28	3037130340
	2486	172.79	2.2	8.1	13770	KXC 553/172.79/250-28	3037165560
	2314	160.83	2.2	8.7	13950	KXC 553/160.83/250-28	3037165550
	2491	138.16	2.8	10	12420	KXC 553/138.16/250-28	3037165520
	2682	128.6	3.2	11	11070	KXC 553/128.6/250-28	3037165510
	2386	112.51	3.3	12	11160	KXC 553/112.51/250-28	3037165500
	2447	99.4	3.8	14	10530	KXC 553/99.4/250-28	3037165470
	2636	92.53	4.4	15	9360	KXC 553/92.53/250-28	3037165460
	2404	80.95	4.6	17	9450	KXC 553/80.95/250-28	3037165440
	2402	67.59	5.5	21	8640	KXC 553/67.59/250-28	3037165410
	2584	62.91	6.4	22	7560	KXC 553/62.91/250-28	3037165400
	2353	55.04	6.7	25	7650	KXC 553/55.04/250-28	3037165390
	2360	48.63	7.6	29	7290	KXC 553/48.63/250-28	3037165370
	2544	45.26	8.8	31	6120	KXC 553/45.26/250-28	3037165360
	2311	39.6	9.1	35	6390	KXC 553/39.6/250-28	3037165340
	1491	209.22	1.1	6.7	15100	KXC 503/209.22/250-28	3037124580
	1285	180.27	1.1	7.8	15200	KXC 503/180.27/250-28	3037124570
	1689	153	1.7	9.2	12300	KXC 503/153/250-28	3037124540
	1052	147.69	1.1	9.5	15100	KXC 503/147.69/250-28	3037124530
	1498	131.82	1.8	11	12100	KXC 503/131.82/250-28	3037124520
	1398	123	1.8	11	12200	KXC 503/123/250-28	3037124510
	1663	109.28	2.4	13	10400	KXC 503/109.28/250-28	3037124490
	1560	94.16	2.6	15	10100	KXC 503/94.16/250-28	3037124460
	1455	87.85	2.6	16	10200	KXC 503/87.85/250-28	3037124450



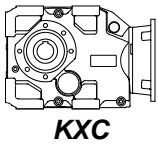
STRATEGY - RIDUTTORI ORTOGONALI KX

PROGRAMA DE FABRICACIÓN	MANUFACTURE PROGRAMME	PROGRAMMA DI FABBRICAZIONE				PROGRAMA DE FABRICAÇÃO	
Acoplamiento motor ØBrida-ØEje Potencia motor (kW) Coupling of motor ØFlange-ØShaft Motor power (kW) Accoppiamento motore ØFlangia-ØAlbero Potenza motore (kW) Montagem motor ØFlange-ØEixo Potência motor (kW)	Valores para n1 = 1400	Values for n1 = 1400	Valori per n1 = 1400	Valores para n1 = 1400			
250-28 (2.2-3-4)	M ₂ (max) [Nm]	i _R	P [kW]	n ₂ [1/min]	F _{Ra} [N]	Tipo Type Tipo Tipo	Código Ref. Codice Código
	1278	77.14	2.6	18	10400	KXC 503/77.14/250-28	3037124430
	1629	68.95	3.7	20	8400	KXC 503/68.95/250-28	3037124410
	1476	59.41	3.9	24	8400	KXC 503/59.41/250-28	3037124400
	1377	55.43	3.9	25	8500	KXC 503/55.43/250-28	3037124390
	1600	49.25	5.1	28	7100	KXC 503/49.25/250-28	3037124370
	1602	42.43	5.9	33	6300	KXC 503/42.43/250-28	3037124350
	1494	39.59	5.9	35	6500	KXC 503/39.59/250-28	3037124340
	1339	34.77	6	40	6700	KXC 503/34.77/250-28	3037124330
	1578	31.107	7.9	45	5500	KXC 503/31.107/250-28	3037124310
	1464	26.8	8.5	52	5400	KXC 503/26.8/250-28	3037124300
	1366	25	8.5	56	5650	KXC 503/25/250-28	3037124290
	1398	22.22	9.8	63	5400	KXC 503/22.22/250-28	3037124260
	1478	19.14	12	73	4450	KXC 503/19.14/250-28	3037124230
	1379	17.86	12	78	4700	KXC 503/17.86/250-28	3037124220
	1211	15.68	12	89	5150	KXC 503/15.68/250-28	3037124190
	1073	13.89	12	101	5500	KXC 503/13.89/250-28	3037124180
	958	12.41	12	113	5700	KXC 503/12.41/250-28	3037124160
	867	11.22	12	125	6500	KXC 503/11.22/250-28	3037124150
	747	9.67	12	145	6700	KXC 503/9.67/250-28	3037124130
	697	9.02	12	155	6800	KXC 503/9.02/250-28	3037124120
	612	7.92	12	177	7000	KXC 503/7.92/250-28	3037124100
	542	7.02	12	199	7100	KXC 503/7.02/250-28	3037124070
	484	6.27	12	223	7150	KXC 503/6.27/250-28	3037124050
	1342	209.22	1	6.7	13590	KXC 453/209.22/250-28	3037159580
	1156	180.27	1	7.8	13680	KXC 453/180.27/250-28	3037159570
	1520	153	1.5	9.2	11070	KXC 453/153/250-28	3037159540
	947	147.69	1	9.5	13590	KXC 453/147.69/250-28	3037159530
	1348	131.82	1.6	11	10890	KXC 453/131.82/250-28	3037159520
	1258	123	1.6	11	10980	KXC 453/123/250-28	3037159510
	1496	109.28	2.1	13	9360	KXC 453/109.28/250-28	3037159490
	1404	94.16	2.3	15	9090	KXC 453/94.16/250-28	3037159460
	1310	87.85	2.3	16	9180	KXC 453/87.85/250-28	3037159450
	1150	77.14	2.3	18	9360	KXC 453/77.14/250-28	3037159430
	1466	68.95	3.3	20	7560	KXC 453/68.95/250-28	3037159410
	1328	59.41	3.5	24	7560	KXC 453/59.41/250-28	3037159400
	1239	55.43	3.5	25	7650	KXC 453/55.43/250-28	3037159390
	1440	49.25	4.6	28	6390	KXC 453/49.25/250-28	3037159370
	1441	42.43	5.3	33	5670	KXC 453/42.43/250-28	3037159350
	1345	39.59	5.3	35	5850	KXC 453/39.59/250-28	3037159340
	1205	34.77	5.4	40	6030	KXC 453/34.77/250-28	3037159330
	1420	31.107	7.1	45	4950	KXC 453/31.107/250-28	3037159310
	1318	26.8	7.7	52	4860	KXC 453/26.8/250-28	3037159300
	1229	25	7.7	56	5085	KXC 453/25/250-28	3037159290
	1258	22.22	8.8	63	4860	KXC 453/22.22/250-28	3037159260
	1330	19.14	11	73	4005	KXC 453/19.14/250-28	3037159230
	1241	17.86	11	78	4230	KXC 453/17.86/250-28	3037159220
	1090	15.68	11	89	4635	KXC 453/15.68/250-28	3037159190
	965	13.89	11	101	4950	KXC 453/13.89/250-28	3037159180
	863	12.41	11	113	5130	KXC 453/12.41/250-28	3037159160



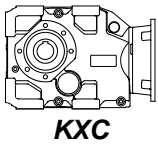
STRATEGY - RIDUTTORI ORTOGONALI KX

PROGRAMA DE FABRICACIÓN	MANUFACTURE PROGRAMME	PROGRAMMA DI FABBRICAZIONE				PROGRAMA DE FABRICAÇÃO	
Acoplamiento motor ØBrida-ØEje Potencia motor (kW) Coupling of motor ØFlange-ØShaft Motor power (kW) Accoppiamento motore ØFlangia-ØAlbero Potenza motore (kW) Montagem motor ØFlange-ØEixo Potência motor (kW)	Valores para n1 = 1400	Values for n1 = 1400	Valori per n1 = 1400	Valores para n1 = 1400			
250-28 (2.2-3-4)	M ₂ (max) [Nm]	i _R	P [kW]	n ₂ [1/min]	F _{Ra} [N]	Tipo Type Tipo	Código Ref. Codice Código
	780	11.22	11	125	5850	KXC 453/11.22/250-28	3037159150
	672	9.67	11	145	6030	KXC 453/9.67/250-28	3037159130
	627	9.02	11	155	6120	KXC 453/9.02/250-28	3037159120
	550	7.92	11	177	6300	KXC 453/7.92/250-28	3037159100
	488	7.02	11	199	6390	KXC 453/7.02/250-28	3037159070
	436	6.27	11	223	6435	KXC 453/6.27/250-28	3037159050
	953	95.77	1.6	15	7300	KXC 403/95.77/250-28	3037117480
	866	84.28	1.6	17	7500	KXC 403/84.28/250-28	3037117440
	894	69.6	2	20	6850	KXC 403/69.6/250-28	3037117420
	786	61.19	2	23	7000	KXC 403/61.19/250-28	3037117400
	764	55.07	2.2	25	6800	KXC 403/55.07/250-28	3037117390
	949	49.3	3	28	5400	KXC 403/49.3/250-28	3037117370
	946	43.34	3.4	32	5000	KXC 403/43.34/250-28	3037117350
	845	38.14	3.5	37	5000	KXC 403/38.14/250-28	3037117340
	786	35.5	3.5	39	5200	KXC 403/35.5/250-28	3037117330
	864	30.57	4.4	46	4600	KXC 403/30.57/250-28	3037117310
	759	26.88	4.4	52	4800	KXC 403/26.88/250-28	3037117300
	752	24.93	4.7	56	4800	KXC 403/24.93/250-28	3037117290
	661	21.91	4.7	64	4900	KXC 403/21.91/250-28	3037117260
	703	19.04	5.8	74	4400	KXC 403/19.04/250-28	3037117230
	542	17.95	4.7	78	5200	KXC 403/17.95/250-28	3037117220
	624	16.75	5.8	84	4600	KXC 403/16.75/250-28	3037117200
	518	13.91	5.8	101	4800	KXC 403/13.91/250-28	3037117170
	447	12.01	5.8	117	5000	KXC 403/12.01/250-28	3037117160
	527	10.95	7.5	128	4600	KXC 403/10.95/250-28	3037117150
	464	9.63	7.5	145	4700	KXC 403/9.63/250-28	3037117130
	408	8.47	7.5	165	4800	KXC 403/8.47/250-28	3037117110
	338	7.03	7.5	199	5000	KXC 403/7.03/250-28	3037117070
	292	6.07	7.5	231	5000	KXC 403/6.07/250-28	3037117050
	858	95.77	1.4	15	6570	KXC 353/95.77/250-28	3037110480
	779	84.28	1.4	17	6750	KXC 353/84.28/250-28	3037110440
	804	69.6	1.8	20	6165	KXC 353/69.6/250-28	3037110420
	707	61.19	1.8	23	6300	KXC 353/61.19/250-28	3037110400
	687	55.07	1.9	25	6120	KXC 353/55.07/250-28	3037110390
	855	49.3	2.7	28	4860	KXC 353/49.3/250-28	3037110370
	851	43.34	3.1	32	4500	KXC 353/43.34/250-28	3037110350
	760	38.14	3.1	37	4500	KXC 353/38.14/250-28	3037110340
	708	35.5	3.1	39	4680	KXC 353/35.5/250-28	3037110330
	777	30.57	4	46	4140	KXC 353/30.57/250-28	3037110310
	683	26.88	4	52	4320	KXC 353/26.88/250-28	3037110300
	677	24.93	4.2	56	4320	KXC 353/24.93/250-28	3037110290
	595	21.91	4.2	64	4410	KXC 353/21.91/250-28	3037110260
	633	19.04	5.2	74	3960	KXC 353/19.04/250-28	3037110230
	487	17.95	4.2	78	4680	KXC 353/17.95/250-28	3037110220
	561	16.75	5.2	84	4140	KXC 353/16.75/250-28	3037110200
	466	13.91	5.2	101	4320	KXC 353/13.91/250-28	3037110170
	402	12.01	5.2	117	4500	KXC 353/12.01/250-28	3037110160
	475	10.95	6.8	128	4140	KXC 353/10.95/250-28	3037110150



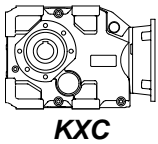
STRATEGY - RIDUTTORI ORTOGONALI KX

PROGRAMA DE FABRICACIÓN	MANUFACTURE PROGRAMME	PROGRAMMA DI FABBRICAZIONE				PROGRAMA DE FABRICAÇÃO	
Acoplamiento motor ØBrida-ØEje Potencia motor (kW) Coupling of motor ØFlange-ØShaft Motor power (kW) Accoppiamento motore ØFlangia-ØAlbero Potenza motore (kW) Montagem motor ØFlange-ØEixo Potência motor (kW)	Valores para n1 = 1400	Values for n1 = 1400	Valori per n1 = 1400	Valores para n1 = 1400			
	M ₂ (max) [Nm]	i _R	P [kW]	n ₂ [1/min]	F _{Ra} [N]	Tipo Type Tipo Tipo	Código Ref. Codigo Código
250-28 (2.2-3-4)	417	9.63	6.8	145	4230	KXC 353/9.63/250-28	3037110130
	367	8.47	6.8	165	4320	KXC 353/8.47/250-28	3037110110
	305	7.03	6.8	199	4500	KXC 353/7.03/250-28	3037110070
	263	6.07	6.8	231	4500	KXC 353/6.07/250-28	3037110050
	210	29.75	1.1	47	4900	KXC 303/29.75/250-28	3037104310
	196	27.69	1.1	51	4800	KXC 303/27.69/250-28	3037104300
	271	21.31	2	66	3700	KXC 303/21.31/250-28	3037104250
	252	19.83	2	71	3800	KXC 303/19.83/250-28	3037104240
	220	17.34	2	81	3800	KXC 303/17.34/250-28	3037104210
	195	15.33	2	91	3900	KXC 303/15.33/250-28	3037104190
	174	13.66	2	102	3900	KXC 303/13.66/250-28	3037104180
	156	12.26	2	114	3900	KXC 303/12.26/250-28	3037104160
	240	10.6	3.5	132	3500	KXC 303/10.6/250-28	3037104150
	223	9.87	3.5	142	3600	KXC 303/9.87/250-28	3037104140
	195	8.63	3.5	162	3600	KXC 303/8.63/250-28	3037104110
172	7.62	3.5	184	3600	KXC 303/7.62/250-28	3037104080	
153	6.79	3.5	206	3600	KXC 303/6.79/250-28	3037104070	
138	6.1	3.5	230	3600	KXC 303/6.1/250-28	3037104050	
300-38 (5.5-7.5)	8044	142.39	8.8	10	22700	KXC 903/142.39/300-38	3075142530
	8127	123.87	10	11	20800	KXC 903/123.87/300-38	3075142510
	7155	109.06	10	13	21800	KXC 903/109.06/300-38	3075142490
	7909	101.99	12	14	19300	KXC 903/101.99/300-38	3075142480
	8937	88.73	16	16	13300	KXC 903/88.73/300-38	3075142450
	8054	78.12	16	18	14800	KXC 903/78.12/300-38	3075142430
	7339	71.18	16	20	15600	KXC 903/71.18/300-38	3075142420
	7751	67.94	18	21	14900	KXC 903/67.94/300-38	3075142410
	8009	59.1	21	24	12600	KXC 903/59.1/300-38	3075142390
	7622	48.66	24	29	12600	KXC 903/48.66/300-38	3075142370
	8521	42.34	31	33	8000	KXC 903/42.34/300-38	3075142350
	7501	37.27	31	38	9500	KXC 903/37.27/300-38	3075142330
	7467	32.29	36	43	9300	KXC 903/32.29/300-38	3075142320
	7890	28.09	44	50	6500	KXC 903/28.09/300-38	3075142300
	6949	24.74	44	57	8200	KXC 903/24.74/300-38	3075142290
	7343	23.13	49	61	7700	KXC 903/23.13/300-38	3075142270
	6426	20.12	50	70	9000	KXC 903/20.12/300-38	3075142240
	5155	16.14	50	87	10900	KXC 903/16.14/300-38	3075142200
	4491	14.06	50	100	11800	KXC 903/14.06/300-38	3075142180
	4024	12.6	50	111	12300	KXC 903/12.6/300-38	3075142160
	3714	11.63	50	120	14600	KXC 903/11.63/300-38	3075142150
	3232	10.12	50	138	15300	KXC 903/10.12/300-38	3075142140
	2590	8.11	50	173	16000	KXC 903/8.11/300-38	3075142100
	2258	7.07	50	198	16300	KXC 903/7.07/300-38	3075142070
	2022	6.33	50	221	16400	KXC 903/6.33/300-38	3075142060
7240	142.39	7.9	10	20430	KXC 803/142.39/300-38	3075180530	
7314	123.87	9.2	11	18720	KXC 803/123.87/300-38	3075180510	
6440	109.06	9.2	13	19620	KXC 803/109.06/300-38	3075180490	
7119	101.99	11	14	17370	KXC 803/101.99/300-38	3075180480	



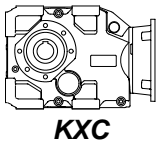
STRATEGY - RIDUTTORI ORTOGONALI KX

PROGRAMA DE FABRICACIÓN	MANUFACTURE PROGRAMME	PROGRAMMA DI FABBRICAZIONE			PROGRAMA DE FABRICAÇÃO		
Acoplamiento motor ØBrida-ØEje Potencia motor (kW) Coupling of motor ØFlange-ØShaft Motor power (kW) Accoppiamento motore ØFlangia-ØAlbero Potenza motore (kW) Montagem motor ØFlange-ØEixo Potência motor (kW)	Valores para n1 = 1400	Values for n1 = 1400	Valori per n1 = 1400	Valores para n1 = 1400			
300-38 (5.5-7.5)	M ₂ (max) [Nm]	i _R	P [kW]	n ₂ [1/min]	F _{Ra} [N]	Tipo Type Tipo	Código Ref. Codice Código
	8044	88.73	14	16	11970	KXC 803/88.73/300-38	3075180450
	7249	78.12	14	18	13320	KXC 803/78.12/300-38	3075180430
	6605	71.18	14	20	14040	KXC 803/71.18/300-38	3075180420
	6976	67.94	16	21	13410	KXC 803/67.94/300-38	3075180410
	7208	59.1	19	24	11340	KXC 803/59.1/300-38	3075180390
	6860	48.66	22	29	11340	KXC 803/48.66/300-38	3075180370
	7669	42.34	28	33	7200	KXC 803/42.34/300-38	3075180350
	6751	37.27	28	38	8550	KXC 803/37.27/300-38	3075180330
	6720	32.29	32	43	8370	KXC 803/32.29/300-38	3075180320
	7101	28.09	39	50	5850	KXC 803/28.09/300-38	3075180300
	6254	24.74	39	57	7380	KXC 803/24.74/300-38	3075180290
	6609	23.13	45	61	6930	KXC 803/23.13/300-38	3075180270
	5783	20.12	45	70	8100	KXC 803/20.12/300-38	3075180240
	4639	16.14	45	87	9810	KXC 803/16.14/300-38	3075180200
	4041	14.06	45	100	10620	KXC 803/14.06/300-38	3075180180
	3622	12.6	45	111	11070	KXC 803/12.6/300-38	3075180160
	3343	11.63	45	120	13140	KXC 803/11.63/300-38	3075180150
	2909	10.12	45	138	13770	KXC 803/10.12/300-38	3075180140
	2331	8.11	45	173	14400	KXC 803/8.11/300-38	3075180100
	2032	7.07	45	198	14670	KXC 803/7.07/300-38	3075180070
	1820	6.33	45	221	14760	KXC 803/6.33/300-38	3075180060
	4680	174.82	4.2	8	18500	KXC 703/174.82/300-38	3037136560
	4233	151.94	4.3	9.2	18800	KXC 703/151.94/300-38	3037136540
	4630	139.78	5.2	10	16500	KXC 703/139.78/300-38	3037136530
	5007	121.49	6.4	12	12400	KXC 703/121.49/300-38	3037136510
	4690	113.79	6.4	12	14100	KXC 703/113.79/300-38	3037136500
	4552	100.57	7.1	14	14000	KXC 703/100.57/300-38	3037136480
	4517	85.8	8.2	16	12900	KXC 703/85.8/300-38	3037136450
	4174	74.57	8.7	19	12800	KXC 703/74.57/300-38	3037136430
	4716	72.37	10	19	10100	KXC 703/72.37/300-38	3037136420
	4934	59.62	13	23	8000	KXC 703/59.62/300-38	3037136400
	4621	55.84	13	25	8500	KXC 703/55.84/300-38	3037136390
	4392	49.36	14	28	8200	KXC 703/49.36/300-38	3037136370
	4772	40.18	19	35	5300	KXC 703/40.18/300-38	3037136350
	4338	38.37	18	36	7400	KXC 703/38.37/300-38	3037136340
	4650	35.52	20	39	5500	KXC 703/35.52/300-38	3037136330
	4146	31.67	20	44	6400	KXC 703/31.67/300-38	3037136320
	3721	28.43	20	49	7300	KXC 703/28.43/300-38	3037136300
	4200	24.97	26	56	5600	KXC 703/24.97/300-38	3037136290
	4218	22.07	30	63	5200	KXC 703/22.07/300-38	3037136260
	3942	19.19	32	73	5500	KXC 703/19.19/300-38	3037136230
	3692	17.97	32	78	6000	KXC 703/17.97/300-38	3037136220
	3262	15.88	32	88	6900	KXC 703/15.88/300-38	3037136200
	2909	14.16	32	99	7600	KXC 703/14.16/300-38	3037136180
	2611	12.71	32	110	8200	KXC 703/12.71/300-38	3037136170
	2270	11.05	32	127	10000	KXC 703/11.05/300-38	3037136150
	1847	8.99	32	156	10700	KXC 703/8.99/300-38	3037136120
	1633	7.95	32	176	11100	KXC 703/7.95/300-38	3037136100
	1457	7.09	32	197	11300	KXC 703/7.09/300-38	3037136070



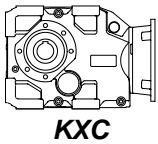
STRATEGY - RIDUTTORI ORTOGONALI KX

PROGRAMA DE FABRICACIÓN	MANUFACTURE PROGRAMME		PROGRAMMA DI FABBRICAZIONE			PROGRAMA DE FABRICAÇÃO	
Acoplamiento motor ØBrida-ØEje Potencia motor (kW) Coupling of motor ØFlange-ØShaft Motor power (kW) Accoppiamento motore ØFlangia-ØAlbero Potenza motore (kW) Montagem motor ØFlange-ØEixo Potência motor (kW)	Valores para n1 = 1400		Values for n1 = 1400		Valori per n1 = 1400	Valores para n1 = 1400	
300-38 (5.5-7.5)	M ₂ (max) [Nm]	i _R	P [kW]	n ₂ [1/min]	F _{Ra} [N]	Tipo Type Tipo	Código Ref. Codice Código
	1307	6.36	32	220	11500	KXC 703/6.36/300-38	3037136060
	4212	174.82	3.8	8	16650	KXC 653/174.82/300-38	3037171560
	3810	151.94	3.9	9.2	16920	KXC 653/151.94/300-38	3037171540
	4167	139.78	4.6	10	14850	KXC 653/139.78/300-38	3037171530
	4507	121.49	5.8	12	11160	KXC 653/121.49/300-38	3037171510
	4221	113.79	5.8	12	12690	KXC 653/113.79/300-38	3037171500
	4097	100.57	6.3	14	12600	KXC 653/100.57/300-38	3037171480
	4065	85.8	7.4	16	11610	KXC 653/85.8/300-38	3037171450
	3757	74.57	7.8	19	11520	KXC 653/74.57/300-38	3037171430
	4244	72.37	9.1	19	9090	KXC 653/72.37/300-38	3037171420
	4440	59.62	12	23	7200	KXC 653/59.62/300-38	3037171400
	4159	55.84	12	25	7650	KXC 653/55.84/300-38	3037171390
	3953	49.36	12	28	7380	KXC 653/49.36/300-38	3037171370
	4295	40.18	17	35	4770	KXC 653/40.18/300-38	3037171350
	3904	38.37	16	36	6660	KXC 653/38.37/300-38	3037171340
	4185	35.52	18	39	4950	KXC 653/35.52/300-38	3037171330
	3731	31.67	18	44	5760	KXC 653/31.67/300-38	3037171320
	3349	28.43	18	49	6570	KXC 653/28.43/300-38	3037171300
	3780	24.97	24	56	5040	KXC 653/24.97/300-38	3037171290
	3796	22.07	27	63	4680	KXC 653/22.07/300-38	3037171260
	3548	19.19	29	73	4950	KXC 653/19.19/300-38	3037171230
	3322	17.97	29	78	5400	KXC 653/17.97/300-38	3037171220
	2936	15.88	29	88	6210	KXC 653/15.88/300-38	3037171200
	2618	14.16	29	99	6840	KXC 653/14.16/300-38	3037171180
	2350	12.71	29	110	7380	KXC 653/12.71/300-38	3037171170
	2043	11.05	29	127	9000	KXC 653/11.05/300-38	3037171150
	1662	8.99	29	156	9630	KXC 653/8.99/300-38	3037171120
	1470	7.95	29	176	9990	KXC 653/7.95/300-38	3037171100
	1311	7.09	29	197	10170	KXC 653/7.09/300-38	3037171070
	1176	6.36	29	220	10350	KXC 653/6.36/300-38	3037171060
	2669	67.59	6.2	21	9600	KXC 603/67.59/300-38	3037131410
	2872	62.91	7.1	22	8400	KXC 603/62.91/300-38	3037131400
	2615	55.04	7.4	25	8500	KXC 603/55.04/300-38	3037131390
	2622	48.63	8.4	29	8100	KXC 603/48.63/300-38	3037131370
	2827	45.26	9.7	31	6800	KXC 603/45.26/300-38	3037131360
	2634	39.6	10	35	7100	KXC 603/39.6/300-38	3037131340
	2493	36.36	11	39	6800	KXC 603/36.36/300-38	3037131330
	2566	31.23	13	45	6100	KXC 603/31.23/300-38	3037131310
	2669	29.07	14	48	5800	KXC 603/29.07/300-38	3037131300
	2498	25.43	15	55	5600	KXC 603/25.43/300-38	3037131290
	2524	22.47	18	62	4900	KXC 603/22.47/300-38	3037131260
	2485	20.92	19	67	4800	KXC 603/20.92/300-38	3037131250
	2408	18.3	21	77	4500	KXC 603/18.3/300-38	3037131220
	1922	16.18	19	87	6100	KXC 603/16.18/300-38	3037131200
	1899	14.43	21	97	5700	KXC 603/14.43/300-38	3037131180
	1706	12.96	21	108	6100	KXC 603/12.96/300-38	3037131170
	1833	11.24	25	125	6200	KXC 603/11.24/300-38	3037131150
	1707	10.47	25	134	6400	KXC 603/10.47/300-38	3037131140



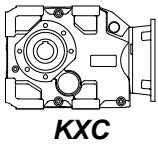
STRATEGY - RIDUTTORI ORTOGONALI KX

PROGRAMA DE FABRICACIÓN	MANUFACTURE PROGRAMME	PROGRAMMA DI FABBRICAZIONE			PROGRAMA DE FABRICAÇÃO		
Acoplamiento motor ØBrida-ØEje Potencia motor (kW) Coupling of motor ØFlange-ØShaft Motor power (kW) Accoppiamento motore ØFlangia-ØAlbero Potenza motore (kW) Montagem motor ØFlange-ØEixo Potência motor (kW)	Valores para n1 = 1400	Values for n1 = 1400	Valori per n1 = 1400	Valores para n1 = 1400			
300-38 (5.5-7.5)	M ₂ (max) [Nm]	i _R	P [kW]	n ₂ [1/min]	F _{Ra} [N]	Tipo Type Tipo Tipo	Código Ref. Codice Código
	1494	9.16	25	153	6900	KXC 603/9.16/300-38	3037131120
	1321	8.1	25	173	7250	KXC 603/8.1/300-38	3037131100
	1177	7.22	25	194	7500	KXC 603/7.22/300-38	3037131070
	1057	6.48	25	216	7700	KXC 603/6.48/300-38	3037131060
	2402	67.59	5.5	21	8640	KXC 553/67.59/300-38	3037166410
	2584	62.91	6.4	22	7560	KXC 553/62.91/300-38	3037166400
	2353	55.04	6.7	25	7650	KXC 553/55.04/300-38	3037166390
	2360	48.63	7.6	29	7290	KXC 553/48.63/300-38	3037166370
	2544	45.26	8.8	31	6120	KXC 553/45.26/300-38	3037166360
	2370	39.6	9.3	35	6390	KXC 553/39.6/300-38	3037166340
	2244	36.36	9.6	39	6120	KXC 553/36.36/300-38	3037166330
	2310	31.23	12	45	5490	KXC 553/31.23/300-38	3037166310
	2402	29.07	13	48	5220	KXC 553/29.07/300-38	3037166300
	2248	25.43	14	55	5040	KXC 553/25.43/300-38	3037166290
	2272	22.47	16	62	4410	KXC 553/22.47/300-38	3037166260
	2236	20.92	17	67	4320	KXC 553/20.92/300-38	3037166250
	2168	18.3	18	77	4050	KXC 553/18.3/300-38	3037166220
	1729	16.18	17	87	5490	KXC 553/16.18/300-38	3037166200
	1709	14.43	18	97	5130	KXC 553/14.43/300-38	3037166180
	1535	12.96	18	108	5490	KXC 553/12.96/300-38	3037166170
	1650	11.24	23	125	5580	KXC 553/11.24/300-38	3037166150
	1537	10.47	23	134	5760	KXC 553/10.47/300-38	3037166140
	1344	9.16	23	153	6210	KXC 553/9.16/300-38	3037166120
	1189	8.1	23	173	6525	KXC 553/8.1/300-38	3037166100
	1060	7.22	23	194	6750	KXC 553/7.22/300-38	3037166070
	951	6.48	23	216	6930	KXC 553/6.48/300-38	3037166060
	1629	68.95	3.7	20	8400	KXC 503/68.95/300-38	3037125410
	1476	59.41	3.9	24	8400	KXC 503/59.41/300-38	3037125400
	1377	55.43	3.9	25	8500	KXC 503/55.43/300-38	3037125390
	1600	49.25	5.1	28	7100	KXC 503/49.25/300-38	3037125370
	1634	42.43	6	33	6200	KXC 503/42.43/300-38	3037125350
	1525	39.59	6	35	6400	KXC 503/39.59/300-38	3037125340
	1339	34.77	6	40	6700	KXC 503/34.77/300-38	3037125330
	1578	31.107	7.9	45	5500	KXC 503/31.107/300-38	3037125310
	1464	26.8	8.5	52	5400	KXC 503/26.8/300-38	3037125300
	1366	25	8.5	56	5650	KXC 503/25/300-38	3037125290
	1526	22.22	11	63	4500	KXC 503/22.22/300-38	3037125260
	1315	19.14	11	73	5100	KXC 503/19.14/300-38	3037125230
	1379	17.86	12	78	4700	KXC 503/17.86/300-38	3037125220
	1211	15.68	12	89	5150	KXC 503/15.68/300-38	3037125200
	1073	13.89	12	101	5500	KXC 503/13.89/300-38	3037125180
	958	12.41	12	113	5700	KXC 503/12.41/300-38	3037125160
	867	11.22	12	125	6500	KXC 503/11.22/300-38	3037125150
	747	9.67	12	145	6700	KXC 503/9.67/300-38	3037125140
	697	9.02	12	155	6800	KXC 503/9.02/300-38	3037125120
	612	7.92	12	177	7000	KXC 503/7.92/300-38	3037125100
	542	7.02	12	199	7100	KXC 503/7.02/300-38	3037125070



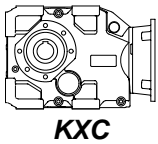
STRATEGY - RIDUTTORI ORTOGONALI KX

PROGRAMA DE FABRICACIÓN	MANUFACTURE PROGRAMME		PROGRAMMA DI FABBRICAZIONE			PROGRAMA DE FABRICAÇÃO	
Acoplamiento motor \varnothing Brida- \varnothing Eje Potencia motor (kW) Coupling of motor \varnothing Flange- \varnothing Shaft Motor power (kW) Accoppiamento motore \varnothing Flangia- \varnothing Albero Potenza motore (kW) Montagem motor \varnothing Flange- \varnothing Eixo Potência motor (kW)	Valores para n1 = 1400		Values for n1 = 1400		Valori per n1 = 1400	Valores para n1 = 1400	
	M_2 (max) [Nm]	iR	P [kW]	n2 [1/min]	F_{Ra} [N]	Tipo Type Tipo	Código Ref. Codigo Código
300-38 (5.5-7.5)	484	6.27	12	223	7150	KXC 503/6.27/300-38	3037125050
	1466	68.95	3.3	20	7560	KXC 453/68.95/300-38	3037160410
	1328	59.41	3.5	24	7560	KXC 453/59.41/300-38	3037160400
	1239	55.43	3.5	25	7650	KXC 453/55.43/300-38	3037160390
	1440	49.25	4.6	28	6390	KXC 453/49.25/300-38	3037160370
	1471	42.43	5.4	33	5580	KXC 453/42.43/300-38	3037160350
	1372	39.59	5.4	35	5760	KXC 453/39.59/300-38	3037160340
	1205	34.77	5.4	40	6030	KXC 453/34.77/300-38	3037160330
	1420	31.107	7.1	45	4950	KXC 453/31.107/300-38	3037160310
	1318	26.8	7.7	52	4860	KXC 453/26.8/300-38	3037160300
	1229	25	7.7	56	5085	KXC 453/25/300-38	3037160290
	1374	22.22	9.6	63	4050	KXC 453/22.22/300-38	3037160260
	1183	19.14	9.6	73	4590	KXC 453/19.14/300-38	3037160230
	1241	17.86	11	78	4230	KXC 453/17.86/300-38	3037160220
	1090	15.68	11	89	4635	KXC 453/15.68/300-38	3037160200
	965	13.89	11	101	4950	KXC 453/13.89/300-38	3037160180
	863	12.41	11	113	5130	KXC 453/12.41/300-38	3037160160
	780	11.22	11	125	5850	KXC 453/11.22/300-38	3037160150
	672	9.67	11	145	6030	KXC 453/9.67/300-38	3037160140
	627	9.02	11	155	6120	KXC 453/9.02/300-38	3037160120
	550	7.92	11	177	6300	KXC 453/7.92/300-38	3037160100
	488	7.02	11	199	6390	KXC 453/7.02/300-38	3037160070
	436	6.27	11	223	6435	KXC 453/6.27/300-38	3037160050
350-42 (11-15)	8044	142.39	8.8	10	22700	KXC 903/142.39/350-42	3075143530
	8127	123.87	10	11	20800	KXC 903/123.87/350-42	3075143510
	7155	109.06	10	13	21800	KXC 903/109.06/350-42	3075143490
	7909	101.99	12	14	19300	KXC 903/101.99/350-42	3075143480
	8937	88.73	16	16	13300	KXC 903/88.73/350-42	3075143450
	8054	78.12	16	18	14800	KXC 903/78.12/350-42	3075143430
	7339	71.18	16	20	15600	KXC 903/71.18/350-42	3075143420
	7751	67.94	18	21	14900	KXC 903/67.94/350-42	3075143410
	8009	59.1	21	24	12600	KXC 903/59.1/350-42	3075143390
	7622	48.66	24	29	12600	KXC 903/48.66/350-42	3075143370
	8614	42.34	32	33	7200	KXC 903/42.34/350-42	3075143350
	7934	37.27	33	38	8000	KXC 903/37.27/350-42	3075143330
	7467	32.29	36	43	9300	KXC 903/32.29/350-42	3075143320
	7890	28.09	44	50	6500	KXC 903/28.09/350-42	3075143300
	6949	24.74	44	57	8200	KXC 903/24.74/350-42	3075143280
	7343	23.13	49	61	7700	KXC 903/23.13/350-42	3075143270
	8298	20.12	64	70	3400	KXC 903/20.12/350-42	3075143240
	6735	16.14	65	87	5900	KXC 903/16.14/350-42	3075143200
	5867	14.06	65	100	7300	KXC 903/14.06/350-42	3075143180
	5258	12.6	65	111	8200	KXC 903/12.6/350-42	3075143160
	5522	11.63	74	120	9200	KXC 903/11.63/350-42	3075143150
	4805	10.12	74	138	10500	KXC 903/10.12/350-42	3075143140
	3851	8.11	74	173	12000	KXC 903/8.11/350-42	3075143100
	3357	7.07	74	198	12700	KXC 903/7.07/350-42	3075143070



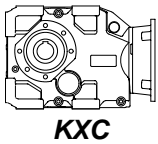
STRATEGY - RIDUTTORI ORTOGONALI KX

PROGRAMA DE FABRICACIÓN	MANUFACTURE PROGRAMME	PROGRAMMA DI FABBRICAZIONE				PROGRAMA DE FABRICAÇÃO	
Acoplamiento motor ØBrida-ØEje Potencia motor (kW) Coupling of motor ØFlange-ØShaft Motor power (kW) Accoppiamento motore ØFlangia-ØAlbero Potenza motore (kW) Montagem motor ØFlange-ØEixo Potência motor (kW)	Valores para n1 = 1400	Values for n1 = 1400	Valori per n1 = 1400	Valores para n1 = 1400			
	M ₂ (max) [Nm]	i _R	P [kW]	n ₂ [1/min]	F _{Ra} [N]	Tipo Type Tipo Tipo	Código Ref. Codice Código
350-42 (11-15)	3006	6.33	74	221	13100	KXC 903/6.33/350-42	3075143050
	7240	142.39	7.9	10	20430	KXC 803/142.39/350-42	3075181530
	7314	123.87	9.2	11	18720	KXC 803/123.87/350-42	3075181510
	6440	109.06	9.2	13	19620	KXC 803/109.06/350-42	3075181490
	7119	101.99	11	14	17370	KXC 803/101.99/350-42	3075181480
	8044	88.73	14	16	11970	KXC 803/88.73/350-42	3075181450
	7249	78.12	14	18	13320	KXC 803/78.12/350-42	3075181430
	6605	71.18	14	20	14040	KXC 803/71.18/350-42	3075181420
	6976	67.94	16	21	13410	KXC 803/67.94/350-42	3075181410
	7208	59.1	19	24	11340	KXC 803/59.1/350-42	3075181390
	6860	48.66	22	29	11340	KXC 803/48.66/350-42	3075181370
	7752	42.34	29	33	6480	KXC 803/42.34/350-42	3075181350
	7141	37.27	30	38	7200	KXC 803/37.27/350-42	3075181330
	6720	32.29	32	43	8370	KXC 803/32.29/350-42	3075181320
	7101	28.09	39	50	5850	KXC 803/28.09/350-42	3075181300
	6254	24.74	39	57	7380	KXC 803/24.74/350-42	3075181280
	6609	23.13	45	61	6930	KXC 803/23.13/350-42	3075181270
	7468	20.12	58	70	3060	KXC 803/20.12/350-42	3075181240
	6062	16.14	59	87	5310	KXC 803/16.14/350-42	3075181200
	5280	14.06	59	100	6570	KXC 803/14.06/350-42	3075181180
	4732	12.6	59	111	7380	KXC 803/12.6/350-42	3075181160
	4970	11.63	67	120	8280	KXC 803/11.63/350-42	3075181150
	4325	10.12	67	138	9450	KXC 803/10.12/350-42	3075181140
	3466	8.11	67	173	10800	KXC 803/8.11/350-42	3075181100
	3021	7.07	67	198	11430	KXC 803/7.07/350-42	3075181070
	2705	6.33	67	221	11790	KXC 803/6.33/350-42	3075181050
	4517	85.8	8.2	16	12900	KXC 703/85.8/350-42	3037137450
	4174	74.57	8.7	19	12800	KXC 703/74.57/350-42	3037137430
	4934	59.62	13	23	8000	KXC 703/59.62/350-42	3037137400
	4621	55.84	13	25	8500	KXC 703/55.84/350-42	3037137390
	4392	49.36	14	28	8200	KXC 703/49.36/350-42	3037137370
	4772	40.18	19	35	5300	KXC 703/40.18/350-42	3037137350
	4338	38.37	18	36	7400	KXC 703/38.37/350-42	3037137340
	4650	35.52	20	39	5500	KXC 703/35.52/350-42	3037137330
	4146	31.67	20	44	6400	KXC 703/31.67/350-42	3037137320
	3721	28.43	20	49	7300	KXC 703/28.43/350-42	3037137300
	4200	24.97	26	56	5600	KXC 703/24.97/350-42	3037137290
	4218	22.07	30	63	5200	KXC 703/22.07/350-42	3037137260
	4435	19.19	36	73	3600	KXC 703/19.19/350-42	3037137230
	4626	17.97	40	78	2400	KXC 703/17.97/350-42	3037137220
	4088	15.88	40	88	3600	KXC 703/15.88/350-42	3037137200
	3645	14.16	40	99	4600	KXC 703/14.16/350-42	3037137180
	3272	12.71	40	110	5400	KXC 703/12.71/350-42	3037137170
	3230	11.05	46	127	6200	KXC 703/11.05/350-42	3037137150
	2628	8.99	46	156	7500	KXC 703/8.99/350-42	3037137120
	2324	7.95	46	176	8200	KXC 703/7.95/350-42	3037137100
	2072	7.09	46	197	8700	KXC 703/7.09/350-42	3037137070



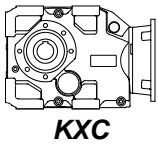
STRATEGY - RIDUTTORI ORTOGONALI KX

PROGRAMA DE FABRICACIÓN	MANUFACTURE PROGRAMME		PROGRAMMA DI FABBRICAZIONE			PROGRAMA DE FABRICAÇÃO	
Acoplamiento motor \varnothing Brida- \varnothing Eje Potencia motor (kW) Coupling of motor \varnothing Flange- \varnothing Shaft Motor power (kW) Accoppiamento motore \varnothing Flangia- \varnothing Albero Potenza motore (kW) Montagem motor \varnothing Flange- \varnothing Eixo Potência motor (kW)	Valores para n1 = 1400		Values for n1 = 1400		Valori per n1 = 1400	Valores para n1 = 1400	
350-42 (11-15)	M_2 (max) [Nm]	i_R	P [kW]	n_2 [1/min]	F_{Ra} [N]	Tipo Type Tipo Tipo	Código Ref. Codice Código
	1859	6.36	46	220	9100	KXC 703/6.36/350-42	3037137060
	4065	85.8	7.4	16	11610	KXC 653/85.8/350-42	3037172450
	3757	74.57	7.8	19	11520	KXC 653/74.57/350-42	3037172430
	4440	59.62	12	23	7200	KXC 653/59.62/350-42	3037172400
	4159	55.84	12	25	7650	KXC 653/55.84/350-42	3037172390
	3953	49.36	12	28	7380	KXC 653/49.36/350-42	3037172370
	4295	40.18	17	35	4770	KXC 653/40.18/350-42	3037172350
	3904	38.37	16	36	6660	KXC 653/38.37/350-42	3037172340
	4185	35.52	18	39	4950	KXC 653/35.52/350-42	3037172330
	3731	31.67	18	44	5760	KXC 653/31.67/350-42	3037172320
	3349	28.43	18	49	6570	KXC 653/28.43/350-42	3037172300
	3780	24.97	24	56	5040	KXC 653/24.97/350-42	3037172290
	3796	22.07	27	63	4680	KXC 653/22.07/350-42	3037172260
	3992	19.19	32	73	3240	KXC 653/19.19/350-42	3037172230
	4163	17.97	36	78	2160	KXC 653/17.97/350-42	3037172220
	3679	15.88	36	88	3240	KXC 653/15.88/350-42	3037172200
	3281	14.16	36	99	4140	KXC 653/14.16/350-42	3037172180
	2945	12.71	36	110	4860	KXC 653/12.71/350-42	3037172170
	2907	11.05	41	127	5580	KXC 653/11.05/350-42	3037172150
	2365	8.99	41	156	6750	KXC 653/8.99/350-42	3037172120
	2091	7.95	41	176	7380	KXC 653/7.95/350-42	3037172100
	1865	7.09	41	197	7830	KXC 653/7.09/350-42	3037172070
	1673	6.36	41	220	8190	KXC 653/6.36/350-42	3037172060
	2493	36.36	11	39	6800	KXC 603/36.36/350-42	3037132330
	2566	31.23	13	45	6100	KXC 603/31.23/350-42	3037132310
	2669	29.07	14	48	5800	KXC 603/29.07/350-42	3037132300
	2498	25.43	15	55	5600	KXC 603/25.43/350-42	3037132290
	2524	22.47	18	62	4900	KXC 603/22.47/350-42	3037132260
	2538	20.92	19	67	4800	KXC 603/20.92/350-42	3037132250
	2326	18.3	20	77	5000	KXC 603/18.3/350-42	3037132220
	2057	16.18	20	87	5600	KXC 603/16.18/350-42	3037132200
	1899	14.43	21	97	5700	KXC 603/14.43/350-42	3037132180
	1706	12.96	21	108	6100	KXC 603/12.96/350-42	3037132170
	1833	11.24	25	125	6200	KXC 603/11.24/350-42	3037132150
	1707	10.47	25	134	6400	KXC 603/10.47/350-42	3037132140
	1494	9.16	25	153	6900	KXC 603/9.16/350-42	3037132120
	1321	8.1	25	173	7250	KXC 603/8.1/350-42	3037132100
	1177	7.22	25	194	7500	KXC 603/7.22/350-42	3037132070
	1057	6.48	25	216	7700	KXC 603/6.48/350-42	3037132060
	2244	36.36	9.6	39	6120	KXC 553/36.36/350-42	3037167330
	2310	31.23	12	45	5490	KXC 553/31.23/350-42	3037167310
	2402	29.07	13	48	5220	KXC 553/29.07/350-42	3037167300
	2248	25.43	14	55	5040	KXC 553/25.43/350-42	3037167290
	2272	22.47	16	62	4410	KXC 553/22.47/350-42	3037167260
	2284	20.92	17	67	4320	KXC 553/20.92/350-42	3037167250
	2094	18.3	18	77	4500	KXC 553/18.3/350-42	3037167220
	1851	16.18	18	87	5040	KXC 553/16.18/350-42	3037167200



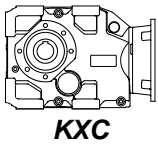
STRATEGY - RIDUTTORI ORTOGONALI KX

PROGRAMA DE FABRICACIÓN	MANUFACTURE PROGRAMME	PROGRAMMA DI FABBRICAZIONE			PROGRAMA DE FABRICAÇÃO		
Acoplamiento motor ØBrida-ØEje Potencia motor (kW) Coupling of motor ØFlange-ØShaft Motor power (kW) Accoppiamento motore ØFlangia-ØAlbero Potenza motore (kW) Montagem motor ØFlange-ØEixo Potência motor (kW)	Valores para n1 = 1400	Values for n1 = 1400	Valori per n1 = 1400	Valores para n1 = 1400			
	M ₂ (max) [Nm]	i _R	P [kW]	n ₂ [1/min]	F _{Ra} [N]	Tipo Type Tipo Tipo	Código Ref. Codice Código
350-42 (11-15)	1709	14.43	18	97	5130	KXC 553/14.43/350-42	3037167180
	1535	12.96	18	108	5490	KXC 553/12.96/350-42	3037167170
	1650	11.24	23	125	5580	KXC 553/11.24/350-42	3037167150
	1537	10.47	23	134	5760	KXC 553/10.47/350-42	3037167140
	1344	9.16	23	153	6210	KXC 553/9.16/350-42	3037167120
	1189	8.1	23	173	6525	KXC 553/8.1/350-42	3037167100
	1060	7.22	23	194	6750	KXC 553/7.22/350-42	3037167070
	951	6.48	23	216	6930	KXC 553/6.48/350-42	3037167060
	350-48 (18.5-22)	7751	67.94	18	21	14900	KXC 903/67.94/350-48
8009		59.1	21	24	12600	KXC 903/59.10/350-48	3075145390
7622		48.66	24	29	12600	KXC 903/48.66/350-48	3075145370
8614		42.34	32	33	7200	KXC 903/42.34/350-48	3075145350
7934		37.27	33	38	8000	KXC 903/37.27/350-48	3075145330
7467		32.29	36	43	9300	KXC 903/32.29/350-48	3075145320
7890		28.09	44	50	6500	KXC 903/28.09/350-48	3075145300
6949		24.74	44	57	8200	KXC 903/24.74/350-48	3075145280
7343		23.13	49	61	7700	KXC 903/23.13/350-48	3075145270
8298		20.12	64	70	3400	KXC 903/20.12/350-48	3075145240
6735		16.14	65	87	5900	KXC 903/16.14/350-48	3075145200
5867		14.06	65	100	7300	KXC 903/14.06/350-48	3075145180
5258		12.6	65	111	8200	KXC 903/12.60/350-48	3075145160
5522		11.63	74	120	9200	KXC 903/11.63/350-48	3075145150
4805		10.12	74	138	10500	KXC 903/10.12/350-48	3075145140
3851		8.11	74	173	12000	KXC 903/8.11/350-48	3075145100
3357		7.07	74	198	12700	KXC 903/7.07/350-48	3075145070
3006		6.33	74	221	13100	KXC 903/6.33/350-48	3075145050
6976		67.94	16	21	13410	KXC 803/67.94/350-48	3075182410
7208		59.1	19	24	11340	KXC 803/59.10/350-48	3075182390
6860		48.66	22	29	11340	KXC 803/48.66/350-48	3075182370
7752		42.34	29	33	6480	KXC 803/42.34/350-48	3075182350
7141		37.27	30	38	7200	KXC 803/37.27/350-48	3075182330
6720		32.29	32	43	8370	KXC 803/32.29/350-48	3075182320
7101		28.09	39	50	5850	KXC 803/28.09/350-48	3075182300
6254		24.74	39	57	7380	KXC 803/24.74/350-48	3075182280
6609		23.13	45	61	6930	KXC 803/23.13/350-48	3075182270
7468		20.12	58	70	3060	KXC 803/20.12/350-48	3075182240
6062		16.14	59	87	5310	KXC 803/16.14/350-48	3075182200
5280		14.06	59	100	6570	KXC 803/14.06/350-48	3075182180
4732		12.6	59	111	7380	KXC 803/12.60/350-48	3075182160
4970		11.63	67	120	8280	KXC 803/11.63/350-48	3075182150
4325		10.12	67	138	9450	KXC 803/10.12/350-48	3075182140
3466	8.11	67	173	10800	KXC 803/8.11/350-48	3075182100	
3021	7.07	67	198	11430	KXC 803/7.07/350-48	3075182070	
2705	6.33	67	221	11790	KXC 803/6.33/350-48	3075182050	
4392	49.36	14	28	8200	KXC 703/49.36/350-48	3037138370	
4772	40.18	19	35	5300	KXC 703/40.18/350-48	3037138350	
4338	38.37	18	36	7400	KXC 703/38.37/350-48	3037138340	



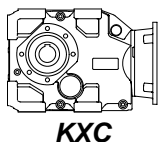
STRATEGY - RIDUTTORI ORTOGONALI KX

PROGRAMA DE FABRICACIÓN	MANUFACTURE PROGRAMME	PROGRAMMA DI FABBRICAZIONE			PROGRAMA DE FABRICAÇÃO		
Acoplamiento motor ØBrida-ØEje Potencia motor (kW) Coupling of motor ØFlange-ØShaft Motor power (kW) Accoppiamento motore ØFlangia-ØAlbero Potenza motore (kW) Montagem motor ØFlange-ØEixo Potência motor (kW)	Valores para n1 = 1400	Values for n1 = 1400	Valori per n1 = 1400	Valores para n1 = 1400			
350-48 (18.5-22)	M ₂ (max) [Nm]	i _R	P [kW]	n ₂ [1/min]	F _{Ra} [N]	Tipo Type Tipo Tipo	Código Ref. Codice Código
	4650	35.52	20	39	5500	KXC 703/35.52/350-48	3037138330
	4146	31.67	20	44	6400	KXC 703/31.67/350-48	3037138320
	3721	28.43	20	49	7300	KXC 703/28.43/350-48	3037138300
	4200	24.97	26	56	5600	KXC 703/24.97/350-48	3037138290
	4218	22.07	30	63	5200	KXC 703/22.07/350-48	3037138260
	4435	19.19	36	73	3600	KXC 703/19.19/350-48	3037138230
	4626	17.97	40	78	2400	KXC 703/17.97/350-48	3037138220
	4088	15.88	40	88	3600	KXC 703/15.88/350-48	3037138200
	3645	14.16	40	99	4600	KXC 703/14.16/350-48	3037138180
	3272	12.71	40	110	5400	KXC 703/12.71/350-48	3037138170
	3230	11.05	46	127	6200	KXC 703/11.05/350-48	3037138150
	2628	8.99	46	156	7500	KXC 703/8.99/350-48	3037138120
	2324	7.95	46	176	8200	KXC 703/7.95/350-48	3037138100
	2072	7.09	46	197	8700	KXC 703/7.09/350-48	3037138070
	1859	6.36	46	220	9100	KXC 703/6.36/350-48	3037138060
	3953	49.36	12	28	7380	KXC 653/49.36/350-48	3037173370
	4295	40.18	17	35	4770	KXC 653/40.18/350-48	3037173350
	3904	38.37	16	36	6660	KXC 653/38.37/350-48	3037173340
	4185	35.52	18	39	4950	KXC 653/35.52/350-48	3037173330
	3731	31.67	18	44	5760	KXC 653/31.67/350-48	3037173320
	3349	28.43	18	49	6570	KXC 653/28.43/350-48	3037173300
	3780	24.97	24	56	5040	KXC 653/24.97/350-48	3037173290
	3796	22.07	27	63	4680	KXC 653/22.07/350-48	3037173260
	3992	19.19	32	73	3240	KXC 653/19.19/350-48	3037173230
	4163	17.97	36	78	2160	KXC 653/17.97/350-48	3037173220
	3679	15.88	36	88	3240	KXC 653/15.88/350-48	3037173200
	3281	14.16	36	99	4140	KXC 653/14.16/350-48	3037173180
	2945	12.71	36	110	4860	KXC 653/12.71/350-48	3037173170
	2907	11.05	41	127	5580	KXC 653/11.05/350-48	3037173150
	2365	8.99	41	156	6750	KXC 653/8.99/350-48	3037173120
	2091	7.95	41	176	7380	KXC 653/7.95/350-48	3037173100
	1865	7.09	41	197	7830	KXC 653/7.09/350-48	3037173070
	1673	6.36	41	220	8190	KXC 653/6.36/350-48	3037173060
	2493	36.36	11	39	6800	KXC 603/36.36/350-48	3037133330
	2566	31.23	13	45	6100	KXC 603/31.23/350-48	3037133310
	2669	29.07	14	48	5800	KXC 603/29.07/350-48	3037133300
	2498	25.43	15	55	5600	KXC 603/25.43/350-48	3037133290
	2524	22.47	18	62	4900	KXC 603/22.47/350-48	3037133260
	2538	20.92	19	67	4800	KXC 603/20.92/350-48	3037133250
	2326	18.3	20	77	5000	KXC 603/18.3/350-48	3037133220
	2057	16.18	20	87	5600	KXC 603/16.18/350-48	3037133200
	1899	14.43	21	97	5700	KXC 603/14.43/350-48	3037133180
	1706	12.96	21	108	6100	KXC 603/12.96/350-48	3037133170
	1833	11.24	25	125	6200	KXC 603/11.24/350-48	3037133150
	1707	10.47	25	134	6400	KXC 603/10.47/350-48	3037133140
	1494	9.16	25	153	6900	KXC 603/9.16/350-48	3037133120
	1321	8.1	25	173	7250	KXC 603/8.1/350-48	3037133100
	1177	7.22	25	194	7500	KXC 603/7.22/350-48	3037133070



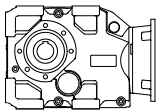
STRATEGY - RIDUTTORI ORTOGONALI KX

PROGRAMA DE FABRICACIÓN	MANUFACTURE PROGRAMME	PROGRAMMA DI FABBRICAZIONE				PROGRAMA DE FABRICAÇÃO	
Acoplamiento motor ØBrida-ØEje Potencia motor (kW) Coupling of motor ØFlange-ØShaft Motor power (kW) Accoppiamento motore ØFlangia-ØAlbero Potenza motore (kW) Montagem motor ØFlange-ØEixo Potência motor (kW)	Valores para n1 = 1400	Values for n1 = 1400	Valori per n1 = 1400	Valores para n1 = 1400			
	M ₂ (max) [Nm]	i _R	P [kW]	n ₂ [1/min]	F _{Ra} [N]	Tipo Type Tipo Tipo	Código Ref. Codice Código
350-48 (18.5-22)	1057	6.48	25	216	7700	KXC 603/6.48/350-48	3037133060
	2244	36.36	9.6	39	6120	KXC 553/36.36/350-48	3037168330
	2310	31.23	12	45	5490	KXC 553/31.23/350-48	3037168310
	2402	29.07	13	48	5220	KXC 553/29.07/350-48	3037168300
	2248	25.43	14	55	5040	KXC 553/25.43/350-48	3037168290
	2272	22.47	16	62	4410	KXC 553/22.47/350-48	3037168260
	2284	20.92	17	67	4320	KXC 553/20.92/350-48	3037168250
	2094	18.3	18	77	4500	KXC 553/18.3/350-48	3037168220
	1851	16.18	18	87	5040	KXC 553/16.18/350-48	3037168200
	1709	14.43	18	97	5130	KXC 553/14.43/350-48	3037168180
	1535	12.96	18	108	5490	KXC 553/12.96/350-48	3037168170
	1650	11.24	23	125	5580	KXC 553/11.24/350-48	3037168150
	1537	10.47	23	134	5760	KXC 553/10.47/350-48	3037168140
	1344	9.16	23	153	6210	KXC 553/9.16/350-48	3037168120
	1189	8.1	23	173	6525	KXC 553/8.1/350-48	3037168100
	1060	7.22	23	194	6750	KXC 553/7.22/350-48	3037168070
	951	6.48	23	216	6930	KXC 553/6.48/350-48	3037168060
400-55 (30)	7622	48.66	24	29	12600	KXC 903/48.66/400-55	3075144370
	8614	42.34	32	33	7200	KXC 903/42.34/400-55	3075144350
	7934	37.27	33	38	8000	KXC 903/37.27/400-55	3075144330
	7467	32.29	36	43	9300	KXC 903/32.29/400-55	3075144320
	7890	28.09	44	50	6500	KXC 903/28.09/400-55	3075144300
	6949	24.74	44	57	8200	KXC 903/24.74/400-55	3075144280
	7343	23.13	49	61	7700	KXC 903/23.13/400-55	3075144270
	8298	20.12	64	70	3400	KXC 903/20.12/400-55	3075144240
	6735	16.14	65	87	5900	KXC 903/16.14/400-55	3075144200
	5867	14.06	65	100	7300	KXC 903/14.06/400-55	3075144180
	5258	12.6	65	111	8200	KXC 903/12.60/400-55	3075144170
	5522	11.63	74	120	9200	KXC 903/11.63/400-55	3075144150
	4805	10.12	74	138	10500	KXC 903/10.12/400-55	3075144140
	3851	8.11	74	173	12000	KXC 903/8.11/400-55	3075144100
	3357	7.07	74	198	12700	KXC 903/7.07/400-55	3075144070
	3006	6.33	74	221	13100	KXC 903/6.33/400-55	3075144050
	6860	48.66	22	29	11340	KXC 803/48.66/400-55	3075183370
	7752	42.34	29	33	6480	KXC 803/42.34/400-55	3075183350
	7141	37.27	30	38	7200	KXC 803/37.27/400-55	3075183330
	6720	32.29	32	43	8370	KXC 803/32.29/400-55	3075183320
	7101	28.09	39	50	5850	KXC 803/28.09/400-55	3075183300
	6254	24.74	39	57	7380	KXC 803/24.74/400-55	3075183280
	6609	23.13	45	61	6930	KXC 803/23.13/400-55	3075183270
	7468	20.12	58	70	3060	KXC 803/20.12/400-55	3075183240
	6062	16.14	59	87	5310	KXC 803/16.14/400-55	3075183200
	5280	14.06	59	100	6570	KXC 803/14.06/400-55	3075183180
	4732	12.6	59	111	7380	KXC 803/12.60/400-55	3075183160
	4970	11.63	67	120	8280	KXC 803/11.63/400-55	3075183150
	4325	10.12	67	138	9450	KXC 803/10.12/400-55	3075183140
	3466	8.11	67	173	10800	KXC 803/8.11/400-55	3075183100



STRATEGY - RIDUTTORI ORTOGONALI KX

PROGRAMA DE FABRICACIÓN	MANUFACTURE PROGRAMME		PROGRAMMA DI FABBRICAZIONE			PROGRAMA DE FABRICAÇÃO		
Acoplamiento motor ØBrida-ØEje Potencia motor (kW) Coupling of motor ØFlange-ØShaft Motor power (kW) Accoppiamento motore ØFlangia-ØAlbero Potenza motore (kW) Montagem motor ØFlange-ØEixo Potência motor (kW)	Valores para n1 = 1400		Values for n1 = 1400		Valori per n1 = 1400	Valores para n1 = 1400		
	M ₂ (max) [Nm]	i _R	P [kW]	n ₂ [1/min]	F _{Ra} [N]	Tipo Type Tipo	Código Ref. Codice Código	
400-55 (30)	3021	7.07	67	198	11430	KXC 803/7.07/400-55	3075183070	
	2705	6.33	67	221	11790	KXC 803/6.33/400-55	3075183050	
	4200	24.97	26	56	5600	KXC 703/24.97/400-55	3037139290	
	4218	22.07	30	63	5200	KXC 703/22.07/400-55	3037139260	
	4435	19.19	36	73	3600	KXC 703/19.19/400-55	3037139230	
	4626	17.97	40	78	2400	KXC 703/17.97/400-55	3037139220	
	4088	15.88	40	88	3600	KXC 703/15.88/400-55	3037139200	
	3645	14.16	40	99	4600	KXC 703/14.16/400-55	3037139180	
	3272	12.71	40	110	5400	KXC 703/12.71/400-55	3037139170	
	3230	11.05	46	127	6200	KXC 703/11.05/400-55	3037139150	
	2628	8.99	46	156	7500	KXC 703/8.99/400-55	3037139120	
	2324	7.95	46	176	8200	KXC 703/7.95/400-55	3037139100	
	2072	7.09	46	197	8700	KXC 703/7.09/400-55	3037139070	
	1859	6.36	46	220	9100	KXC 703/6.36/400-55	3037139060	
	3780	24.97	24	56	5040	KXC 653/24.97/400-55	3037174290	
	3796	22.07	27	63	4680	KXC 653/22.07/400-55	3037174260	
	3992	19.19	32	73	3240	KXC 653/19.19/400-55	3037174230	
	4163	17.97	36	78	2160	KXC 653/17.97/400-55	3037174220	
	3679	15.88	36	88	3240	KXC 653/15.88/400-55	3037174200	
	3281	14.16	36	99	4140	KXC 653/14.16/400-55	3037174180	
	2945	12.71	36	110	4860	KXC 653/12.71/400-55	3037174170	
	2907	11.05	41	127	5580	KXC 653/11.05/400-55	3037174150	
	2365	8.99	41	156	6750	KXC 653/8.99/400-55	3037174120	
	2091	7.95	41	176	7380	KXC 653/7.95/400-55	3037174100	
	1865	7.09	41	197	7830	KXC 653/7.09/400-55	3037174070	
	1673	6.36	41	220	8190	KXC 653/6.36/400-55	3037174060	
	450-60 (37-45)	8614	42.34	32	33	7200	KXC 903/42.34/450-60	3075146350
		7934	37.27	33	38	8000	KXC 903/37.27/450-60	3075146330
		7467	32.29	36	43	9300	KXC 903/32.29/450-60	3075146320
		7890	28.09	44	50	6500	KXC 903/28.09/450-60	3075146300
6949		24.74	44	57	8200	KXC 903/24.74/450-60	3075146280	
7343		23.13	49	61	7700	KXC 903/23.13/450-60	3075146270	
8298		20.12	64	70	3400	KXC 903/20.12/450-60	3075146240	
6735		16.14	65	87	5900	KXC 903/16.14/450-60	3075146200	
5867		14.06	65	100	7300	KXC 903/14.06/450-60	3075146180	
5258		12.6	65	111	8200	KXC 903/12.60/450-60	3075146160	
5522		11.63	74	120	9200	KXC 903/11.63/450-60	3075146150	
4805		10.12	74	138	10500	KXC 903/10.12/450-60	3075146140	
3851		8.11	74	173	12000	KXC 903/8.11/450-60	3075146100	
3357		7.07	74	198	12700	KXC 903/7.07/450-60	3075146070	
3006		6.33	74	221	13100	KXC 903/6.33/450-60	3075146050	
7752		42.34	29	33	6480	KXC 803/42.34/450-60	3075184350	
7141		37.27	30	38	7200	KXC 803/37.27/450-60	3075184330	
6720		32.29	32	43	8370	KXC 803/32.29/450-60	3075184320	
7101		28.09	39	50	5850	KXC 803/28.09/450-60	3075184300	
6254		24.74	39	57	7380	KXC 803/24.74/450-60	3075184280	
6609	23.13	45	61	6930	KXC 803/23.13/450-60	3075184270		



KXC

STRATEGY - RIDUTTORI ORTOGONALI KX

PROGRAMA DE FABRICACIÓN	MANUFACTURE PROGRAMME		PROGRAMMA DI FABBRICAZIONE			PROGRAMA DE FABRICAÇÃO	
Acoplamiento motor \varnothing Brida- \varnothing Eje Potencia motor (kW) Coupling of motor \varnothing Flange- \varnothing Shaft Motor power (kW) Accoppiamento motore \varnothing Flangia- \varnothing Albero Potenza motore (kW) Montagem motor \varnothing Flange- \varnothing Eixo Potência motor (kW)	Valores para n1 = 1400		Values for n1 = 1400		Valori per n1 = 1400	Valores para n1 = 1400	
	M₂ (max) [Nm]	i_R	P [kW]	n₂ [1/min]	F_{Ra} [N]	Tipo Type Tipo	Código Ref. Codice Código
450-60 (37-45)	7468	20.12	58	70	3060	KXC 803/20.12/450-60	3075184240
	6062	16.14	59	87	5310	KXC 803/16.14/450-60	3075184200
	5280	14.06	59	100	6570	KXC 803/14.06/450-60	3075184180
	4732	12.6	59	111	7380	KXC 803/12.60/450-60	3075184160
	4970	11.63	67	120	8280	KXC 803/11.63/450-60	3075184150
	4325	10.12	67	138	9450	KXC 803/10.12/450-60	3075184140
	3466	8.11	67	173	10800	KXC 803/8.11/450-60	3075184100
	3021	7.07	67	198	11430	KXC 803/7.07/450-60	3075184070
	2705	6.33	67	221	11790	KXC 803/6.33/450-60	3075184050

STRATEGY - RIDUTTORI ORTOGONALI KX

**MOTORES PARA
ACOPLAR
DIRECTAMENTE A LOS
REDUCTORES "KXC"**

**MOTORS FOR
COUPLING DIRECTLY
TO GEARED
UNITS "KXC"**

**MOTORI DA
ACCOPPIARE
DIRETTAMENTE AI
RIDUTTORI "KXC"**

**MOTORES PARA
ACOPLAR
DIRETAMENTE A OS
REDUTORES "KXC"**

Tipo Type Tipo Tipo	i_R	Tipo motor Tipo of motor Tipo motore Tipo motor				
		63	71	80	90	100 112
303	6.1					
	6.79					
	7.62					
	8.63					
	9.87					
	10.6					
	12.26					
	13.66					
	15.33					
	17.34					
	19.83					
	21.31					
	23.95					
	27.69					
	29.75					
	34.62					
	39.17					
	44.8					
	48.14					
	54.69					
	62.54					
	67.21					
	81.45					
92.17						
105.41						
113.27						
128.68						
147.17						
158.14						

STRATEGY - RIDUTTORI ORTOGONALI KX

**MOTORES PARA
ACOPLAR
DIRECTAMENTE A LOS
REDUCTORES "KXC"**

**MOTORS FOR
COUPLING DIRECTLY
TO GEARED
UNITS "KXC"**

**MOTORI DA
ACCOPPIARE
DIRETTAMENTE AI
RIDUTTORI "KXC"**

**MOTORES PARA
ACOPLAR
DIRETAMENTE A OS
REDUTORES "KXC"**

Tipo Type Tipo Tipo	i_R	Tipo motor Tipo of motor Tipo motore Tipo motor				
		63	71	80	90	100 112
353 403	6.07					
	7.03					
	8.47					
	9.63					
	10.95					
	12.01					
	13.91					
	16.75					
	17.95					
	19.04					
	21.91					
	24.93					
	26.88					
	30.57					
	35.5					
	38.14					
	43.34					
	49.3					
	55.07					
	61.19					
	69.6					
	84.28					
	95.77					
98.75						
108.94						
118.97						
135.19						
153.78						



STRATEGY - RIDUTTORI ORTOGONALI KX

**MOTORES PARA
ACOPLAR
DIRECTAMENTE A LOS
REDUCTORES "KXC"**

**MOTORS FOR
COUPLING DIRECTLY
TO GEARED
UNITS "KXC"**

**MOTORI DA
ACCOPPIARE
DIRETTAMENTE AI
RIDUTTORI "KXC"**

**MOTORES PARA
ACOPLAR
DIRETAMENTE A OS
REDUTORES "KXC"**

Tipo Type Tipo Tipo	i_R	Tipo motor Tipo of motor Tipo motore Tipo motor				
		71	80	90	100 112	132
453 503	6.22					
	6.96					
	7.85					
	8.95					
	9.59					
	11.13					
	12.31					
	13.78					
	15.55					
	17.71					
	18.98					
	22.03					
	24.79					
	26.57					
	30.84					
	34.77					
	39.59					
	42.43					
	49.25					
	55.43					
	59.41					
	68.95					
	77.14					
	87.85					
	94.16					
	109.28					
	123					
	131.82					
147.69						
153						
180.27						
209.22						

STRATEGY - RIDUTTORI ORTOGONALI KX

**MOTORES PARA
ACOPLAR
DIRECTAMENTE A LOS
REDUCTORES "KXC"**

**MOTORS FOR
COUPLING DIRECTLY
TO GEARED
UNITS "KXC"**

**MOTORI DA
ACCOPPIARE
DIRETTAMENTE AI
RIDUTTORI "KXC"**

**MOTORES PARA
ACOPLAR
DIRETAMENTE A OS
REDUTORES "KXC"**

Tipo Type Tipo Tipo	i_R	Tipo motor Tipo of motor Tipo motore Tipo motor					
		80	90	100 112	132	160	180
553 603	6.48						
	7.22						
	8.1						
	9.16						
	10.47						
	11.24						
	12.96						
	14.43						
	16.18						
	18.3						
	20.92						
	22.47						
	25.43						
	29.07						
	31.23						
	36.36						
	39.6						
	45.26						
	48.63						
	55.04						
	62.91						
	67.59						
	80.95						
	92.53						
99.4							
112.51							
128.6							
138.16							
160.83							
172.79							

STRATEGY - RIDUTTORI ORTOGONALI KX

**MOTORES PARA
ACOPLAR
DIRECTAMENTE A LOS
REDUCTORES "KXC"**

**MOTORS FOR
COUPLING DIRECTLY
TO GEARED
UNITS "KXC"**

**MOTORI DA
ACCOPPIARE
DIRETTAMENTE AI
RIDUTTORI "KXC"**

**MOTORES PARA
ACOPLAR
DIRETAMENTE A OS
REDUTORES "KXC"**

Tipo Type Tipo Tipo	i_R	Tipo motor Tipo of motor Tipo motore Tipo motor				
		100 112	132	160	180	200
653 703	6.36					
	7.09					
	7.95					
	8.99					
	11.05					
	12.71					
	14.16					
	15.88					
	17.97					
	19.19					
	22.07					
	24.97					
	28.43					
	31.67					
	35.52					
	38.37					
	40.18					
	49.36					
	55.84					
	59.62					
	72.37					
	74.57					
	85.8					
	100.57					
113.79						
121.49						
139.78						
151.94						
174.82						

STRATEGY - RIDUTTORI ORTOGONALI KX

**MOTORES PARA
ACOPLAR
DIRECTAMENTE A LOS
REDUCTORES "KXC"**

**MOTORS FOR
COUPLING DIRECTLY
TO GEARED
UNITS "KXC"**

**MOTORI DA
ACCOPPIARE
DIRETTAMENTE AI
RIDUTTORI "KXC"**

**MOTORES PARA
ACOPLAR
DIRETAMENTE A OS
REDUTORES "KXC"**

Tipo Type Tipo Tipo	i_R	Tipo motor Tipo of motor Tipo motore Tipo motor				
		132	160	180	200	225
803 903	142.39					
	123.87					
	109.06					
	101.99					
	88.73					
	78.12					
	71.18					
	67.94					
	59.1					
	48.66					
	42.34					
	37.27					
	32.29					
	28.09					
	24.74					
	23.13					
	20.12					
	16.14					
	14.06					
	12.6					
11.63						
10.12						
8.11						
7.07						
6.33						

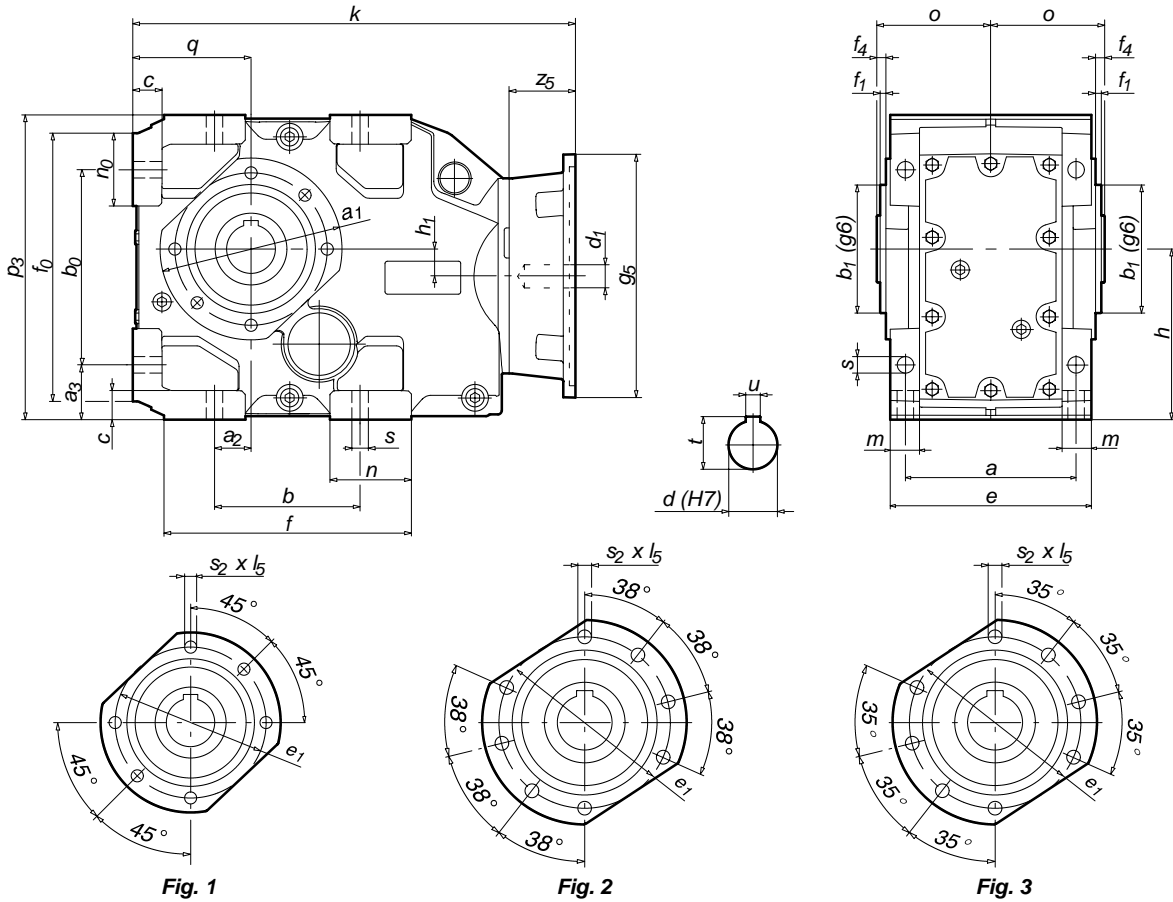
STRATEGY - RIDUTTORI ORTOGONALI KX

“KXC”
DIMENSIONES (mm)

“KXC”
DIMENSIONS (mm)

“KXC”
DIMENSIONI (mm)

“KXC”
DIMENSÕES (mm)



Tipo	Peso	Tipo	Weight	Tipo	Peso	Tipo	Peso	Tipo	Peso	d	t	u	[Kg]	d ₁	g ₅	k	z ₅	a	a ₁	a ₂	a ₃	b	b ₀	b ₁	c	e	e ₁	f	f ₀	f ₁	f ₄	h	h ₁	m	n	n ₀	o	p ₃	q	s	S ₂ x l ₅	Fig.							

Dimensiones del acoplamiento para el motor motor en la pág. 0.24

Los pesos indicados en la tabla son aproximados.
Nos reservamos el derecho de modificar dimensiones sin que por ello cambie la denominación del reductor.
Tenemos a su disposición un CD para sistema CAD con los dibujos a escala de nuestros reductores y accesorios.

The motor coupling dimensions are on page 0.24

Approximate weights are shown in the tables.
We reserve the rights to modify any dimensions, without changing the Type number of reducers.
CD for CAD systems are also available, providing to scale, drawings of reducers and accessories.

Le dimensioni per accoppiamento motore sono a pagina 0.24

I pesi indicati nelle tabelle sono approssimativi.
Ci riserviamo il diritto di modificare dimensioni senza cambiare la denominazione del reductore.
E' disponibile un CD per sistema CAD con disegni in scala dei nostri riduttori ed accessori.

Dimensões do acoplamento para o motor na pág. 0.24

Os pesos indicados nas tabelas são aproximados.
Nos reservamos o direito de modificar dimensões sem alterar o número do tipo do reductor.
Temos a sua disposição um CD para sistema CAD com os desenhos dimensionais em escala dos nossos reductores e accesorios.

STRATEGY - RIDUTTORI ORTOGONALI KX

“KXC”
DIMENSIONES (mm)

“KXC”
DIMENSIONS (mm)

“KXC”
DIMENSIONI (mm)

“KXC”
DIMENSÕES (mm)

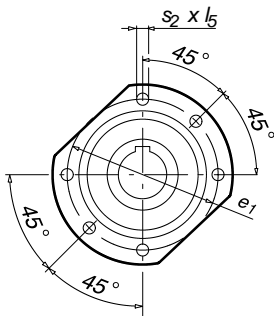
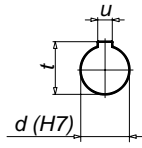
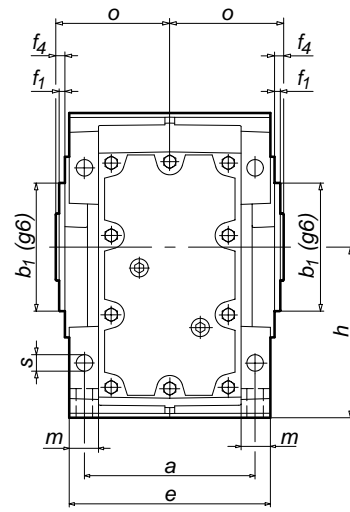
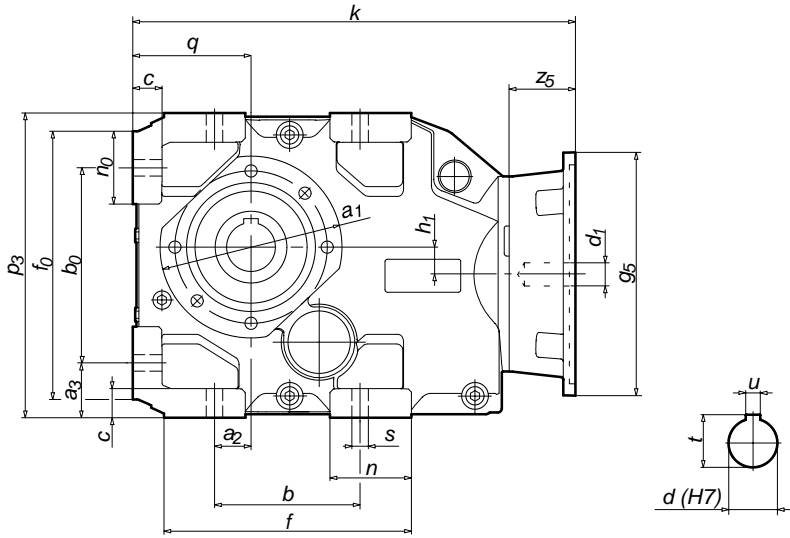


Fig. 1

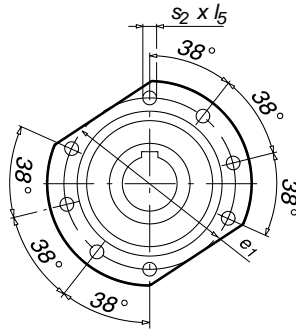


Fig. 2

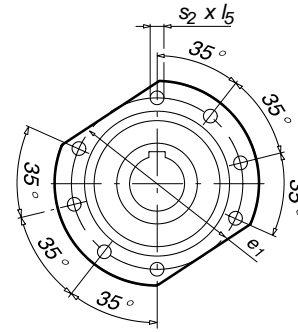
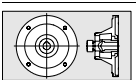


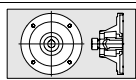
Fig. 3

Tipo	Peso																		Fig.																			
Type	Weight																																					
Tipo	Peso	d	t	u	[Kg]	d1	g5	k	z5	a	a1	a2	a3	b	b0	b1	c	e	e1	f	f0	f1	f4	h	h1	m	n	n0	o	p3	q	s	s2 x l5					
Tipo																																						
						98	19	200	513	59																												
553	55	59.3	16			98	24	200	513	59																												
						100	28	250	521	67																												
						103	38	300	547.5	92.5	180	215	55	70	180	233	155	32	230	178	276	330	4	6	212	32	42	92	112	120	373	155	22	M16x26	1			
603	60	64.4	18			107	42	350	574.5	119.5																												
						107	48	350	574.5	119.5																												
						181	28	250	620.5	73.5																												
653	65	69.4	18			184	38	300	630	84																												
						192	42	350	666.5	119.5	240	260	75	75	240	295	180	36	290	220	355	390	4	7	265	38	50	115	128	150	445	180	26	M16x26	3			
703	70	74.9	20			192	48	350	666.5	119.5																												
						194	55	400	666.5	119.5																												
						305	38	300	747.5	87.5																												
803	80	85.4	22			313	42	350	772	112																												
						313	48	350	772	112	270	300	95	95	280	360	210	40	340	260	420	480	4	8	315	52	60	135	160	175	550	220	33	M20x30	3			
						315	55	400	773	113																												
903	90	95.4	25			320	60	450	804.5	144.5																												



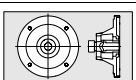
Dimensiones del acoplamiento para el motor motor en la pág. 0.24

Los pesos indicados en la tabla son aproximados.
Nos reservamos el derecho de modificar dimensiones sin que por ello cambie la denominación del reductor.
Tenemos a su disposición un CD para sistema CAD con los dibujos a escala de nuestros reductores y accesorios.



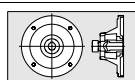
The motor coupling dimensions are on page 0.24

Approximate weights are shown in the tables.
We reserve the rights to modify any dimensions, without changing the Type number of reducers.
CD for CAD systems are also available, providing to scale, drawings of reducers and accessories.



Le dimensioni per accoppiamento motore sono a pagina 0.24

I pesi indicati nelle tabelle sono approssimativi.
Ci riserviamo il diritto di Modificare dimensioni senza cambiare la denominazione del riduttore.
E' disponibile un CD per sistema CAD con disegni in scala dei nostri riduttori ed accessori.



Dimensões do acoplamento para o motor na pág. 0.24

Os pesos indicados nas tabelas são aproximados.
Nos reservamos o direito de modificar dimensões sem alterar o número do tipo do reductor.
Temos a sua disposição um CD para sistema CAD com os desenhos dimensionais em escala dos nossos reductores e acessórios.

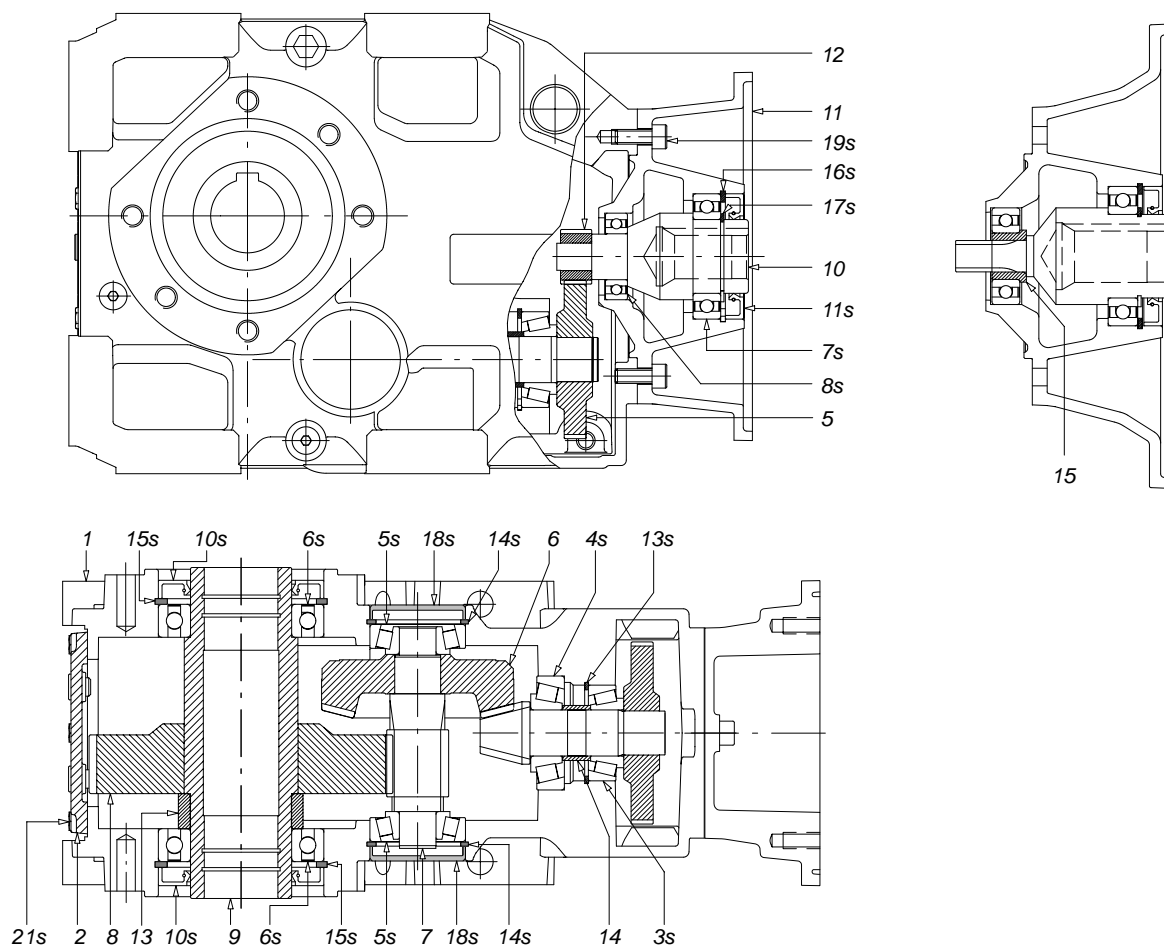
STRATEGY - RIDUTTORI ORTOGONALI KX

**DESPIECE
ORIENTATIVO**

**THE SPARE PARTS LIST
IS FOR GUIDANCE ONLY**

**DISPOSIZIONE
COMPONENTI**

**SOBRESSALENTES,
SOMENTE ORIENTATIVO**



Ref. Ref. Rif. Ref.	Denominación Denomination Denominazione Denominação			
1	Caja	Box	Carcassa	Carcaça
2	Tapa registro	Manhole cover	Coperchio registro	Tampa
5	Rueda GV	GV Wheel	Ruota GV	Roda GV
6	Grupo cónico	Conical unit	Gruppo conico	Grupo cônico
7	Engrane PV	PV gear	Ingranaggio PV	Engrenagem PV
8	Rueda PV	PV Wheel	Ruota PV	Roda PV
9	Eje salida hueco	Hollow output shaft	Albero di uscita cavo	Eixo de saída oco
10	Eje transmisión	Transmission shaft	Albero di ingresso	Eixo de transmissão
11	Brida unión	Motor flange	Flangia motore	Flange motor
12	Engrane GV	GV gear	Ingranaggio GV	Engrenagem GV
13	Separador interior	Inside separator	Separatore interno	Separador interno
14	Separador interior	Inside separator	Separatore interno	Separador interno
15	Anillo con valona	Flange ring	Anello adattatore	Bucha espaçadora
3s	Rodamiento	Bearing	Cuscinetto	Rolamento
4s	Rodamiento	Bearing	Cuscinetto	Rolamento

Ref. Ref. Rif. Ref.	Denominación Denomination Denominazione Denominação			
5s	Rodamiento	Bearing	Cuscinetto	Rolamento
6s	Rodamiento	Bearing	Cuscinetto	Rolamento
7s	Rodamiento	Bearing	Cuscinetto	Rolamento
8s	Rodamiento	Bearing	Cuscinetto	Rolamento
10s	Retén	Oil seal	Anello di tenuta	Retentor
11s	Retén	Oil seal	Anello di tenuta	Retentor
13s	Anillo elástico	Elastic ring	Anello elastico	Anel elástico
14s	Anillo elástico	Elastic ring	Anello elastico	Anel elástico
15s	Anillo elástico	Elastic ring	Anello elastico	Anel elástico
16s	Anillo elástico	Elastic ring	Anello elastico	Anel elástico
17s	Anillo elástico	Elastic ring	Anello elastico	Anel elástico
18s	Tapón ciego	Bull plug	Tappo cieco	Tampão cego
19s	Tornillo cilíndrico	Cylinder screw	Vite cilindrica	Parafuso cilíndrico
21s	Tornillo exagonal	Hexagonal screw	Vite esagonale	Parafuso sextavado

**PARA RECAMBIOS CONSULTAR
EL LIBRO DE INSTRUCCIONES
QUE SE SUMINISTRA CON EL
REDUCTOR**

**FOR SPARE PARTS PLEASE
REFER TO THE INSTRUCTION
MANUAL, WHICH IS SUPPLIED
WITH THE GEAR UNIT**

**PER I RICAMBI
CONSULTARE IL LIBRETTO
DELLE ISTRUZIONI FORNITO
CON IL RIDUTTORE**

**PARA SUBSTITUIÇÕES,
CONSULTAR O MÃNUAL DE
INSTRUÇÕES QUE
ACOMPANHA O REDUTOR**

REDUCTORES

Serie "KX"
Ejes libres

GEARED UNITS

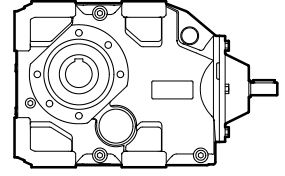
Serie "KX"
Bare shaft ends

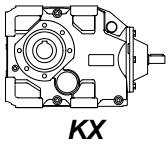
RIDUTTORI

Serie "KX"
Alberi di ingresso normali

REDUTORES

Série "KX"
Eixos maciços





STRATEGY - RIDUTTORI ORTOGONALI KX

**PROGRAMA DE
FABRICACIÓN**

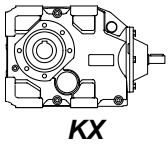
**MANUFACTURE
PROGRAMME**

**PROGRAMMA DI
FABBRICAZIONE**

**PROGRAMA DE
FABRICAÇÃO**

Valores para $n_1 = 1400$ rpm / Values for $n_1 = 1400$ rpm / Valori per $n_1 = 1400$ rpm / Valores para $n_1 = 1400$ rpm

M_2 (max) [Nm]	i_R	P [kW]	n_2 [1/min]	F_{Ra} [N]	F_{Re} [N]	Tipo Type Tipo Tipo	Código Ref. Codice Código
8044	142.39	8.8	10	22700	5550	KX 903/142.39	3074106530
8127	123.87	10	11	20800	5425	KX 903/123.87	3074106510
7155	109.06	10	13	21800	5425	KX 903/109.06	3074106490
7909	101.99	12	14	19300	5225	KX 903/101.99	3074106480
8937	88.73	16	16	13300	4800	KX 903/88.73	3074106450
8054	78.12	16	18	14800	4800	KX 903/78.12	3074106430
7339	71.18	16	20	15600	4800	KX 903/71.18	3074106420
7751	67.94	18	21	14900	5425	KX 903/67.94	3074106410
8009	59.1	21	24	12600	5275	KX 903/59.1	3074106390
7622	48.66	24	29	12600	5100	KX 903/48.66	3074106370
8614	42.34	32	33	7200	4650	KX 903/42.34	3074106350
7884	37.27	33	38	8000	4600	KX 903/37.27	3074106330
7467	32.29	36	43	9300	5225	KX 903/32.29	3074106320
7890	28.09	44	50	6500	4950	KX 903/28.09	3074106300
6949	24.74	44	57	8200	4950	KX 903/24.74	3074106280
7343	23.13	49	61	7700	4775	KX 903/23.13	3074106270
8298	20.12	64	70	3400	4275	KX 903/20.12	3074106240
6735	16.14	65	87	5900	4250	KX 903/16.14	3074106200
5867	14.06	65	100	7300	4250	KX 903/14.06	3074106180
5258	12.6	65	111	8200	4250	KX 903/12.6	3074106160
5522	11.63	74	120	9200	3800	KX 903/11.63	3074106150
4805	10.12	74	138	10500	3800	KX 903/10.12	3074106140
3851	8.11	74	173	12000	3800	KX 903/8.11	3074106100
3357	7.07	74	198	12700	3800	KX 903/7.07	3074106070
3006	6.33	74	221	13100	3800	KX 903/6.33	3074106050
7240	142.39	7.9	10	20430	4995	KX 803/142.39	3074112530
7314	123.87	9.2	11	18720	4880	KX 803/123.87	3074112510
6440	109.06	9.2	13	19620	4880	KX 803/109.06	3074112490
7119	101.99	11	14	17370	4700	KX 803/101.99	3074112480
8044	88.73	14	16	11970	4320	KX 803/88.73	3074112450
7249	78.12	14	18	13320	4320	KX 803/78.12	3074112430
6605	71.18	14	20	14040	4320	KX 803/71.18	3074112420
6976	67.94	16	21	13410	4880	KX 803/67.94	3074112410
7208	59.1	19	24	11340	4750	KX 803/59.1	3074112390
6860	48.66	22	29	11340	4590	KX 803/48.66	3074112370
7752	42.34	29	33	6480	4185	KX 803/42.34	3074112350
7095	37.27	30	38	7200	4140	KX 803/37.27	3074112330
6720	32.29	32	43	8370	4700	KX 803/32.29	3074112320
7101	28.09	39	50	5850	4455	KX 803/28.09	3074112300
6254	24.74	39	57	7380	4455	KX 803/24.74	3074112280
6609	23.13	45	61	6930	4300	KX 803/23.13	3074112270
7468	20.12	58	70	3060	3850	KX 803/20.12	3074112240
6062	16.14	59	87	5310	3825	KX 803/16.14	3074112200
5280	14.06	59	100	6570	3825	KX 803/14.06	3074112180
4732	12.6	59	111	7380	3825	KX 803/12.6	3074112160
4970	11.63	67	120	8280	3420	KX 803/11.63	3074112150
4325	10.12	67	138	9450	3420	KX 803/10.12	3074112140
3466	8.11	67	173	10800	3420	KX 803/8.11	3074112100

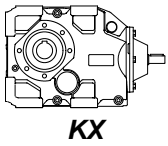


STRATEGY - RIDUTTORI ORTOGONALI KX

PROGRAMA DE FABRICACIÓN **MANUFACTURE PROGRAMME** **PROGRAMMA DI FABBRICAZIONE** **PROGRAMA DE FABRICAÇÃO**

Valores para $n_1 = 1400$ Values for $n_1 = 1400$ Valori per $n_1 = 1400$ Valores para $n_1 = 1400$

M_2 (max) [Nm]	i_R	P [kW]	n_2 [1/min]	F_{Ra} [N]	F_{Re} [N]	Tipo Type Tipo Tipo	Código Ref. Codice Código
3021	7.07	67	198	11430	3420	KX 803/7.07	3074112070
2705	6.33	67	221	11790	3420	KX 803/6.33	3074112050
4680	174.82	4.2	8	18500	4250	KX 703/174.82	3034105560
4233	151.94	4.3	9.2	18800	4240	KX 703/151.94	3034105540
4630	139.78	5.2	10	16500	4125	KX 703/139.78	3034105530
5007	121.49	6.4	12	12400	3950	KX 703/121.49	3034105510
4690	113.79	6.4	12	14100	3950	KX 703/113.79	3034105500
4552	100.57	7.1	14	14000	3850	KX 703/100.57	3034105480
4517	85.8	8.2	16	12900	4200	KX 703/85.8	3034105450
4174	74.57	8.7	19	12800	4170	KX 703/74.57	3034105430
4088	72.37	8.8	19	12400	3640	KX 703/72.37	3034105420
4934	59.62	13	23	8000	3850	KX 703/59.62	3034105400
4621	55.84	13	25	8500	3850	KX 703/55.84	3034105390
4392	49.36	14	28	8200	3775	KX 703/49.36	3034105370
3972	40.18	15	35	9400	3700	KX 703/40.18	3034105350
4338	38.37	18	36	7400	4030	KX 703/38.37	3034105340
4650	35.52	20	39	5500	2980	KX 703/35.52	3034105330
4146	31.67	20	44	6400	2980	KX 703/31.67	3034105320
3721	28.43	20	49	7300	2980	KX 703/28.43	3034105300
4200	24.97	26	56	5600	3680	KX 703/24.97	3034105290
4218	22.07	30	63	5200	3500	KX 703/22.07	3034105260
4608	19.19	37	73	3100	2600	KX 703/19.19	3034105230
4315	17.97	37	78	3800	2600	KX 703/17.97	3034105220
3813	15.88	37	88	4900	2600	KX 703/15.88	3034105200
3400	14.16	37	99	5700	2600	KX 703/14.16	3034105180
3052	12.71	37	110	6400	2600	KX 703/12.71	3034105170
2653	11.05	37	127	8600	2600	KX 703/11.05	3034105150
2159	8.99	37	156	9600	2600	KX 703/8.99	3034105120
1909	7.95	37	176	10100	2600	KX 703/7.95	3034105100
1702	7.09	37	197	10400	2600	KX 703/7.09	3034105070
1527	6.36	37	220	10700	2600	KX 703/6.36	3034105060
4212	174.82	3.8	8	16650	3825	KX 653/174.82	3034111560
3810	151.94	3.9	9.2	16920	3816	KX 653/151.94	3034111540
4167	139.78	4.6	10	14850	3713	KX 653/139.78	3034111530
4507	121.49	5.8	12	11160	3555	KX 653/121.49	3034111510
4221	113.79	5.8	12	12690	3555	KX 653/113.79	3034111500
4097	100.57	6.3	14	12600	3465	KX 653/100.57	3034111480
4065	85.8	7.4	16	11610	3780	KX 653/85.8	3034111450
3757	74.57	7.8	19	11520	3753	KX 653/74.57	3034111430
3680	72.37	7.9	19	11160	3276	KX 653/72.37	3034111420
4440	59.62	12	23	7200	3465	KX 653/59.62	3034111400
4159	55.84	12	25	7650	3465	KX 653/55.84	3034111390
3953	49.36	12	28	7380	3398	KX 653/49.36	3034111370
3575	40.18	14	35	8460	3330	KX 653/40.18	3034111350
3904	38.37	16	36	6660	3627	KX 653/38.37	3034111340
4185	35.52	18	39	4950	2682	KX 653/35.52	3034111330
3731	31.67	18	44	5760	2682	KX 653/31.67	3034111320



STRATEGY - RIDUTTORI ORTOGONALI KX

**PROGRAMA DE
FABRICACIÓN**

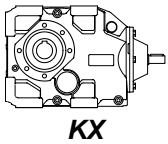
**MANUFACTURE
PROGRAMME**

**PROGRAMMA DI
FABBRICAZIONE**

**PROGRAMA DE
FABRICAÇÃO**

Valores para $n_1 = 1400$ rpm / Values for $n_1 = 1400$ rpm / Valori per $n_1 = 1400$ rpm / Valores para $n_1 = 1400$ rpm

M_2 (max) [Nm]	i_R	P [kW]	n_2 [1/min]	F_{Ra} [N]	F_{Re} [N]	Tipo Type Tipo Tipo	Código Ref. Codice Código
3349	28.43	18	49	6570	2682	KX 653/28.43	3034111300
3780	24.97	24	56	5040	3312	KX 653/24.97	3034111290
3796	22.07	27	63	4680	3150	KX 653/22.07	3034111260
4147	19.19	34	73	2790	2340	KX 653/19.19	3034111230
3883	17.97	34	78	3420	2340	KX 653/17.97	3034111220
3432	15.88	34	88	4410	2340	KX 653/15.88	3034111200
3060	14.16	34	99	5130	2340	KX 653/14.16	3034111180
2747	12.71	34	110	5760	2340	KX 653/12.71	3034111170
2388	11.05	34	127	7740	2340	KX 653/11.05	3034111150
1943	8.99	34	156	8640	2340	KX 653/8.99	3034111120
1718	7.95	34	176	9090	2340	KX 653/7.95	3034111100
1532	7.09	34	197	9360	2340	KX 653/7.09	3034111070
1374	6.36	34	220	9630	2340	KX 653/6.36	3034111060
2762	172.79	2.5	8.1	15300	4200	KX 603/172.79	3034104560
2571	160.83	2.5	8.7	15500	4200	KX 603/160.83	3034104550
2767	138.16	3.1	10	13800	4120	KX 603/138.16	3034104520
2980	128.6	3.6	11	12300	4050	KX 603/128.6	3034104510
2651	112.51	3.7	12	12400	4030	KX 603/112.51	3034104500
2718	99.4	4.3	14	11700	3940	KX 603/99.4	3034104470
2929	92.53	4.9	15	10400	3850	KX 603/92.53	3034104460
2671	80.95	5.1	17	10500	3820	KX 603/80.95	3034104440
2669	67.59	6.2	21	9600	4060	KX 603/67.59	3034104410
2872	62.91	7.1	22	8400	3990	KX 603/62.91	3034104400
2615	55.04	7.4	25	8500	3960	KX 603/55.04	3034104390
2622	48.63	8.4	29	8100	3880	KX 603/48.63	3034104370
2827	45.26	9.7	31	6800	3770	KX 603/45.26	3034104360
2568	39.6	10	35	7100	3740	KX 603/39.6	3034104340
2493	36.36	11	39	6800	4030	KX 603/36.36	3034104330
2566	31.23	13	45	6100	3930	KX 603/31.23	3034104320
2669	29.07	14	48	5800	3890	KX 603/29.07	3034104310
2498	25.43	15	55	5600	3830	KX 603/25.43	3034104290
2351	22.47	16	62	6100	3780	KX 603/22.47	3034104260
2189	20.92	16	67	6500	3780	KX 603/20.92	3034104250
1915	18.3	16	77	7100	3780	KX 603/18.3	3034104220
1693	16.18	16	87	7500	3780	KX 603/16.18	3034104200
1899	14.43	21	97	5700	3520	KX 603/14.43	3034104180
1706	12.96	21	108	6100	3520	KX 603/12.96	3034104170
1176	11.24	16	125	8900	3780	KX 603/11.24	3034104150
1096	10.47	16	134	9000	3780	KX 603/10.47	3034104140
959	9.16	16	153	9200	3780	KX 603/9.16	3034104120
848	8.1	16	173	9350	3780	KX 603/8.1	3034104100
1177	7.22	25	194	7500	3320	KX 603/7.22	3034104070
1057	6.48	25	216	7700	3320	KX 603/6.48	3034104060
2486	172.79	2.2	8.1	13770	3780	KX 553/172.79	3034110560
2314	160.83	2.2	8.7	13950	3780	KX 553/160.83	3034110550
2491	138.16	2.8	10	12420	3708	KX 553/138.16	3034110520
2682	128.6	3.2	11	11070	3645	KX 553/128.6	3034110510



STRATEGY - RIDUTTORI ORTOGONALI KX

**PROGRAMA DE
FABRICACIÓN**

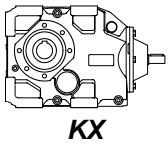
**MANUFACTURE
PROGRAMME**

**PROGRAMMA DI
FABBRICAZIONE**

**PROGRAMA DE
FABRICAÇÃO**

Valores para $n_1 = 1400$ rpm / Values for $n_1 = 1400$ rpm / Valori per $n_1 = 1400$ rpm / Valores para $n_1 = 1400$ rpm

M_2 (max) [Nm]	i_R	P [kW]	n_2 [1/min]	F_{Ra} [N]	F_{Re} [N]	Tipo Type Tipo Tipo	Código Ref. Codice Código
2386	112.51	3.3	12	11160	3627	KX 553/112.51	3034110500
2447	99.4	3.8	14	10530	3546	KX 553/99.4	3034110470
2636	92.53	4.4	15	9360	3465	KX 553/92.53	3034110460
2404	80.95	4.6	17	9450	3438	KX 553/80.95	3034110440
2402	67.59	5.5	21	8640	3654	KX 553/67.59	3034110410
2584	62.91	6.4	22	7560	3591	KX 553/62.91	3034110400
2353	55.04	6.7	25	7650	3564	KX 553/55.04	3034110390
2360	48.63	7.6	29	7290	3492	KX 553/48.63	3034110370
2544	45.26	8.8	31	6120	3393	KX 553/45.26	3034110360
2311	39.6	9.1	35	6390	3366	KX 553/39.6	3034110340
2244	36.36	9.6	39	6120	3627	KX 553/36.36	3034110330
2310	31.23	12	45	5490	3537	KX 553/31.23	3034110320
2402	29.07	13	48	5220	3500	KX 553/29.07	3034110310
2248	25.43	14	55	5040	3447	KX 553/25.43	3034110290
2116	22.47	15	62	5490	3402	KX 553/22.47	3034110260
1970	20.92	15	67	5850	3402	KX 553/20.92	3034110250
1723	18.3	15	77	6390	3402	KX 553/18.3	3034110220
1524	16.18	15	87	6750	3402	KX 553/16.18	3034110200
1709	14.43	18	97	5130	3168	KX 553/14.43	3034110180
1535	12.96	18	108	5490	3168	KX 553/12.96	3034110170
1059	11.24	15	125	8010	3402	KX 553/11.24	3034110150
986	10.47	15	134	8100	3402	KX 553/10.47	3034110140
863	9.16	15	153	8280	3402	KX 553/9.16	3034110120
763	8.1	15	173	8415	3402	KX 553/8.1	3034110100
1060	7.22	23	194	6750	2988	KX 553/7.22	3034110070
951	6.48	23	216	6930	2988	KX 553/6.48	3034110060
1491	209.22	1.1	6.7	15100	3450	KX 503/209.22	3034103580
1285	180.27	1.1	7.8	15200	3450	KX 503/180.27	3034103570
1689	153	1.7	9.2	12300	3320	KX 503/153	3034103540
1052	147.69	1.1	9.5	15100	3450	KX 503/147.69	3034103530
1498	131.82	1.8	11	12100	3300	KX 503/131.82	3034103520
1398	123	1.8	11	12200	3300	KX 503/123	3034103510
1663	109.28	2.4	13	10400	3170	KX 503/109.28	3034103490
1560	94.16	2.6	15	10100	3130	KX 503/94.16	3034103460
1455	87.85	2.6	16	10200	3130	KX 503/87.85	3034103450
1278	77.14	2.6	18	10400	3130	KX 503/77.14	3034103430
1629	68.95	3.7	20	8400	3280	KX 503/68.95	3034103410
1476	59.41	3.9	24	8400	3250	KX 503/59.41	3034103400
1377	55.43	3.9	25	8500	3250	KX 503/55.43	3034103390
1600	49.25	5.1	28	7100	3120	KX 503/49.25	3034103370
1465	42.43	5.4	33	7000	3090	KX 503/42.43	3034103350
1525	39.59	6	35	6400	3020	KX 503/39.59	3034103340
1339	34.77	6	40	6700	3020	KX 503/34.77	3034103330
1578	31.107	7.9	45	5500	3180	KX 503/31.107	3034103310
1464	26.8	8.5	52	5400	3140	KX 503/26.8	3034103300
1366	25	8.5	56	5650	3140	KX 503/25	3034103290
1270	22.22	8.9	63	6100	3110	KX 503/22.22	3034103260



STRATEGY - RIDUTTORI ORTOGONALI KX

**PROGRAMA DE
FABRICACIÓN**

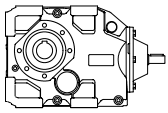
**MANUFACTURE
PROGRAMME**

**PROGRAMMA DI
FABBRICAZIONE**

**PROGRAMA DE
FABRICAÇÃO**

Valores para $n_1 = 1400$ rpm e $n_2 = 1400$ rpm
Values for $n_1 = 1400$ rpm and $n_2 = 1400$ rpm
Valori per $n_1 = 1400$ rpm e $n_2 = 1400$ rpm
Valores para $n_1 = 1400$ rpm e $n_2 = 1400$ rpm

M_2 (max) [Nm]	i_R	P [kW]	n_2 [1/min]	F_{Ra} [N]	F_{Re} [N]	Tipo Type Tipo Tipo	Código Ref. Codice Código
1094	19.14	8.9	73	6500	3110	KX 503/19.14	3034103230
1379	17.86	12	78	4700	2910	KX 503/17.86	3034103220
1211	15.68	12	89	5150	2910	KX 503/15.68	3034103200
1073	13.89	12	101	5500	2910	KX 503/13.89	3034103180
958	12.41	12	113	5700	2910	KX 503/12.41	3034103160
641	11.22	8.9	125	7700	3110	KX 503/11.22	3034103150
747	9.67	12	145	6700	2910	KX 503/9.67	3034103130
697	9.02	12	155	6800	2910	KX 503/9.02	3034103120
612	7.92	12	177	7000	2910	KX 503/7.92	3034103100
542	7.02	12	199	7100	2910	KX 503/7.02	3034103070
484	6.27	12	223	7150	2910	KX 503/6.27	3034103050
1342	209.22	1	6.7	13590	3105	KX 453/209.22	3034109580
1156	180.27	1	7.8	13680	3105	KX 453/180.27	3034109570
1520	153	1.5	9.2	11070	2988	KX 453/153	3034109540
947	147.69	1	9.5	13590	3105	KX 453/147.69	3034109530
1348	131.82	1.6	11	10890	2970	KX 453/131.82	3034109520
1258	123	1.6	11	10980	2970	KX 453/123	3034109510
1496	109.28	2.1	13	9360	2853	KX 453/109.28	3034109490
1404	94.16	2.3	15	9090	2817	KX 453/94.16	3034109460
1310	87.85	2.3	16	9180	2817	KX 453/87.85	3034109450
1150	77.14	2.3	18	9360	2817	KX 453/77.14	3034109430
1466	68.95	3.3	20	7560	2952	KX 453/68.95	3034109410
1328	59.41	3.5	24	7560	2925	KX 453/59.41	3034109400
1239	55.43	3.5	25	7650	2925	KX 453/55.43	3034109390
1440	49.25	4.6	28	6390	2808	KX 453/49.25	3034109370
1319	42.43	4.8	33	6300	2781	KX 453/42.43	3034109350
1372	39.59	5.4	35	5760	2718	KX 453/39.59	3034109340
1205	34.77	5.4	40	6030	2718	KX 453/34.77	3034109330
1420	31.107	7.1	45	4950	2862	KX 453/30.84	3034109310
1318	26.8	7.7	52	4860	2826	KX 453/26.57	3034109300
1229	25	7.7	56	5085	2826	KX 453/24.79	3034109290
1143	22.22	8	63	5490	2799	KX 453/22.03	3034109260
984	19.14	8	73	5850	2799	KX 453/18.98	3034109230
1241	17.86	11	78	4230	2619	KX 453/17.71	3034109220
1090	15.68	11	89	4635	2619	KX 453/15.55	3034109200
965	13.89	11	101	4950	2619	KX 453/13.78	3034109180
863	12.41	11	113	5130	2619	KX 453/12.31	3034109160
577	11.22	8	125	6930	2799	KX 453/11.13	3034109150
672	9.67	11	145	6030	2619	KX 453/9.59	3034109130
627	9.02	11	155	6120	2619	KX 453/8.95	3034109120
550	7.92	11	177	6300	2619	KX 453/7.85	3034109100
488	7.02	11	199	6390	2619	KX 453/6.96	3034109070
436	6.27	11	223	6435	2619	KX 453/6.22	3034109050
889	153.78	0.9	9.1	9800	2670	KX 403/153.78	3034102540
781	135.19	0.9	10	9800	2670	KX 403/135.19	3034102520
687	118.97	0.9	12	9800	2670	KX 403/118.97	3034102500
944	108.94	1.4	13	7900	2550	KX 403/108.94	3034102490



KX

STRATEGY - RIDUTTORI ORTOGONALI KX

PROGRAMA DE
FABRICACIÓN

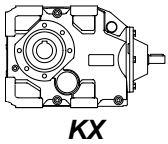
MANUFACTURE
PROGRAMME

PROGRAMMA DI
FABBRICAZIONE

PROGRAMA DE
FABRICAÇÃO

Valores para $n_1 = 1400$ rpm / Values for $n_1 = 1400$ rev/min / Valori per $n_1 = 1400$ rpm

M_2 (max) [Nm]	i_R	P [kW]	n_2 [1/min]	F_{Ra} [N]	F_{Re} [N]	Tipo Type Tipo Tipo	Código Ref. Codice Código
571	98.75	0.9	14	9700	2670	KX 403/98.75	3034102470
953	95.77	1.6	15	7300	2500	KX 403/95.77	3034102460
866	84.28	1.6	17	7500	2500	KX 403/84.28	3034102440
894	69.6	2	20	6850	2630	KX 403/69.6	3034102410
786	61.19	2	23	7000	2630	KX 403/61.19	3034102400
764	55.07	2.2	25	6800	2350	KX 403/55.07	3034102390
949	49.3	3	28	5400	2500	KX 403/49.3	3034102370
946	43.34	3.4	32	5000	2450	KX 403/43.34	3034102350
845	38.14	3.5	37	5000	2430	KX 403/38.14	3034102340
786	35.5	3.5	39	5200	2430	KX 403/35.5	3034102330
864	30.57	4.4	46	4600	2550	KX 403/30.57	3034102310
759	26.88	4.4	52	4800	2550	KX 403/26.88	3034102300
752	24.93	4.7	56	4800	2270	KX 403/24.93	3034102290
661	21.91	4.7	64	4900	2270	KX 403/21.91	3034102260
703	19.04	5.8	74	4400	2440	KX 403/19.04	3034102230
542	17.95	4.7	78	5200	2270	KX 403/17.95	3034102220
624	16.75	5.8	84	4600	2440	KX 403/16.75	3034102210
518	13.91	5.8	101	4800	2440	KX 403/13.91	3034102180
447	12.01	5.8	117	5000	2440	KX 403/12.01	3034102160
527	10.95	7.5	128	4600	2290	KX 403/10.95	3034102150
464	9.63	7.5	145	4700	2290	KX 403/9.63	3034102130
408	8.47	7.5	165	4800	2290	KX 403/8.47	3034102110
338	7.03	7.5	199	5000	2290	KX 403/7.03	3034102070
292	6.07	7.5	231	5000	2290	KX 403/6.07	3034102050
800	153.78	0.81	9.1	8820	2403	KX 353/153.78	3034101540
703	135.19	0.81	10	8820	2403	KX 353/135.19	3034101520
619	118.97	0.81	12	8820	2403	KX 353/118.97	3034101500
850	108.94	1.2	13	7110	2295	KX 353/108.94	3034101490
514	98.75	0.81	14	8730	2403	KX 353/98.75	3034101470
858	95.77	1.4	15	6570	2250	KX 353/95.77	3034101460
779	84.28	1.4	17	6750	2250	KX 353/84.28	3034101440
804	69.6	1.8	20	6165	2367	KX 353/69.6	3034101410
707	61.19	1.8	23	6300	2367	KX 353/61.19	3034101400
687	55.07	1.9	25	6120	2115	KX 353/55.07	3034101390
855	49.3	2.7	28	4860	2250	KX 353/49.3	3034101370
851	43.34	3.1	32	4500	2205	KX 353/43.34	3034101350
760	38.14	3.1	37	4500	2187	KX 353/38.14	3034101340
708	35.5	3.1	39	4680	2187	KX 353/35.5	3034101330
777	30.57	4	46	4140	2295	KX 353/30.57	3034101310
683	26.88	4	52	4320	2295	KX 353/26.88	3034101300
677	24.93	4.2	56	4320	2043	KX 353/24.93	3034101290
595	21.91	4.2	64	4410	2043	KX 353/21.91	3034101260
633	19.04	5.2	74	3960	2196	KX 353/19.04	3034101230
487	17.95	4.2	78	4680	2043	KX 353/17.95	3034101220
561	16.75	5.2	84	4140	2196	KX 353/16.75	3034101210
466	13.91	5.2	101	4320	2196	KX 353/13.91	3034101180
402	12.01	5.2	117	4500	2196	KX 353/12.01	3034101160



STRATEGY - RIDUTTORI ORTOGONALI KX

KX

PROGRAMA DE
FABRICACIÓN

MANUFACTURE
PROGRAMME

PROGRAMMA DI
FABBRICAZIONE

PROGRAMA DE
FABRICAÇÃO

Valores para $n_1 = 1400$ rpm / Values for $n_1 = 1400$ rpm / Valori per $n_1 = 1400$ rpm

M_2 (max) [Nm]	i_R	P [kW]	n_2 [1/min]	F_{Ra} [N]	F_{Re} [N]	Tipo Type Tipo Tipo	Código Ref. Codice Código
475	10.95	6.8	128	4140	2061	KX 353/10.95	3034101150
417	9.63	6.8	145	4230	2061	KX 353/9.63	3034101130
367	8.47	6.8	165	4320	2061	KX 353/8.47	3034101110
305	7.03	6.8	199	4500	2061	KX 353/7.03	3034101070
263	6.07	6.8	231	4500	2061	KX 353/6.07	3034101050
213	158.14	0.21	8.9	8600	1410	KX 303/158.14	3034100540
198	147.16	0.21	9.5	8500	1410	KX 303/147.16	3034100530
173	128.68	0.21	11	8400	1410	KX 303/128.68	3034100510
284	113.27	0.39	12	7100	1350	KX 303/113.27	3034100490
264	105.41	0.39	13	7100	1350	KX 303/105.41	3034100480
231	92.17	0.39	15	7000	1350	KX 303/92.17	3034100450
204	81.45	0.39	17	6900	1350	KX 303/81.45	3034100430
216	67.21	0.5	21	6400	1400	KX 303/67.21	3034100410
201	62.54	0.5	22	6400	1400	KX 303/62.54	3034100400
176	54.69	0.5	26	6300	1400	KX 303/54.69	3034100380
275	48.14	0.89	29	5200	1330	KX 303/48.14	3034100370
256	44.8	0.89	31	5200	1330	KX 303/44.8	3034100360
224	39.17	0.89	36	5200	1330	KX 303/39.17	3034100340
198	34.62	0.89	40	5200	1330	KX 303/34.62	3034100330
210	29.75	1.1	47	4900	1380	KX 303/29.75	3034100310
196	27.69	1.1	51	4800	1380	KX 303/27.69	3034100300
243	23.95	1.6	58	4600	1260	KX 303/23.95	3034100280
271	21.31	2	66	3700	1290	KX 303/21.31	3034100250
252	19.83	2	71	3800	1290	KX 303/19.83	3034100240
220	17.34	2	81	3800	1290	KX 303/17.34	3034100210
195	15.33	2	91	3900	1290	KX 303/15.33	3034100190
174	13.66	2	102	3900	1290	KX 303/13.66	3034100180
156	12.26	2	114	3900	1290	KX 303/12.26	3034100160
240	10.6	3.5	132	3500	1200	KX 303/10.6	3034100150
223	9.87	3.5	142	3600	1200	KX 303/9.87	3034100140
195	8.63	3.5	162	3600	1200	KX 303/8.63	3034100110
172	7.62	3.5	184	3600	1200	KX 303/7.62	3034100080
153	6.79	3.5	206	3600	1200	KX 303/6.79	3034100070
138	6.1	3.5	230	3600	1200	KX 303/6.1	3034100050

STRATEGY - RIDUTTORI ORTOGONALI KX

“KX”
DIMENSIONES (mm)

“KX”
DIMENSIONS (mm)

“KX”
DIMENSIONI (mm)

“KX”
DIMENSÕES (mm)

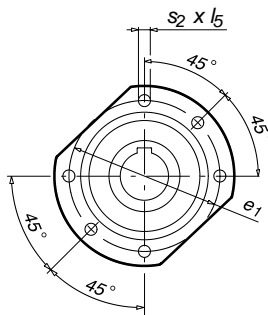
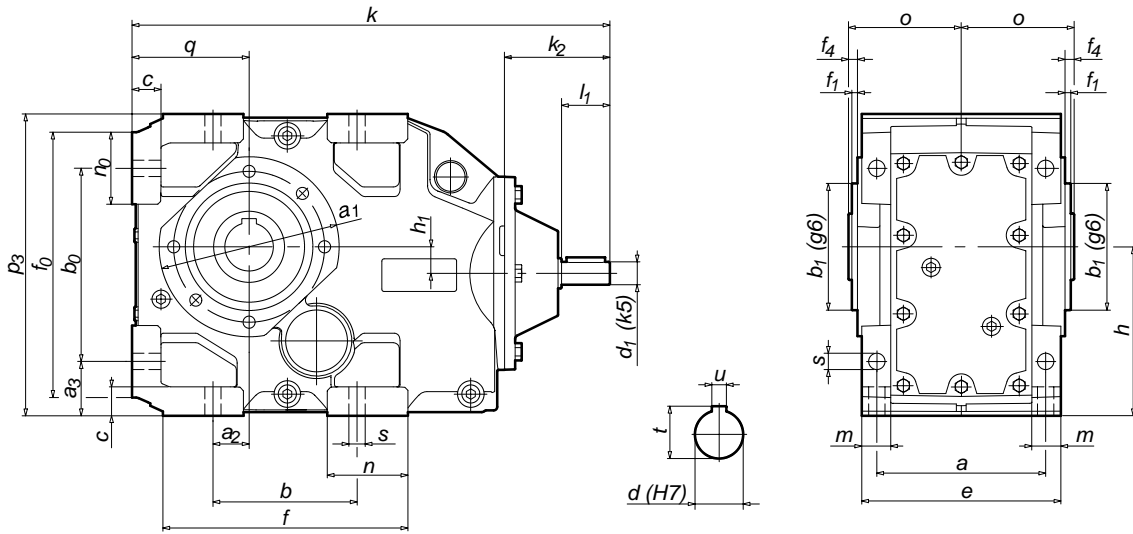


Fig. 1

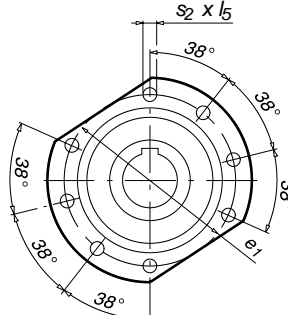


Fig. 2

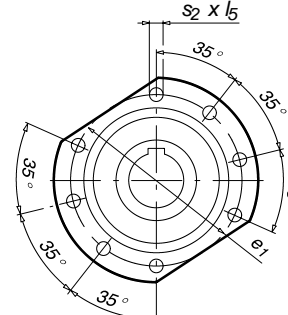


Fig. 3

Tipo	Peso	d	t	u	a	a ₁	a ₂	a ₃	b	b ₀	b ₁	c	e	e ₁	f	f ₀	f ₁	f ₄	h	h ₁	k	k ₂	m	n	n ₀	o	p ₃	q	s	s ₂ x l ₅	Fig.	d ₁	l ₁
303	13.5	30	33.3	8	100	110	28	32	110	115	80	16	120	94	158	158	2.5	3.5	100	15	300	79	18	45	52	60	179	70	11	M8x14	1	16	40
353	36	35	38.3	10	140	148	30	45	120	160	105	24	165	125	200	220	3	4	140	22	396	87	24	65	60	90	250	97	14	M12x20	1	19	40
403	36	40	43.3	12	165	170	40	55	150	200	125	27	200	142	236	282	3.5	4.5	180	40	480	107.5	33	78	88	105	310	120	18	M12x20	2	24	50
453	61	45	48.8	14	180	215	55	70	180	233	155	32	230	178	276	330	4	6	212	32	586	132	42	92	112	120	373	155	22	M16x26	1	28	60
503	61	50	53.8	14	240	260	75	75	240	295	180	36	290	220	355	390	4	7	265	38	706	160	50	115	128	150	445	180	26	M16x26	3	38	80
553	110	55	59.3	16	270	304	95	95	280	360	210	40	340	260	420	430	4	8	315	52	870.5	210.5	60	141	160	175	550	220	33	M20x30	3	42	110
603	110	60	64.4	18	320	320	100	100	320	380	230	45	380	280	460	470	4	9	340	58	950	230	70	150	170	190	600	240	36	M20x30	3	48	120
653	195	65	69.4	18	360	360	110	110	360	420	250	50	420	320	500	510	4	10	370	65	1050	250	80	160	180	210	660	260	39	M20x30	3	54	130
703	195	70	74.9	20	400	400	120	120	400	480	280	55	480	360	560	570	4	11	400	70	1150	270	90	170	190	720	280	42	M20x30	3	60	140	
803	320	80	85.4	22	450	450	130	130	450	540	300	60	540	400	620	630	4	12	450	75	1300	290	100	180	200	780	300	45	M20x30	3	66	150	
903	320	90	95.4	25	500	500	140	140	500	600	320	65	600	450	680	690	4	13	500	80	1450	300	110	190	210	840	320	48	M20x30	3	72	160	

Dimensiones de los ejes de entrada en la pág. 0.25

Los pesos indicados en la tabla son aproximados. Nos reservamos el derecho de modificar dimensiones sin que por ello cambie la denominación del reductor. Tenemos a su disposición un CD para sistema CAD con los dibujos a escala de nuestros reductores y accesorios.

Bare shaft dimensions are on page 0.25

Approximate weights are shown in the tables. We reserve the rights to modify any dimensions, without changing the Type number of reducers. CD for CAD systems are also available, providing to scale, drawings of reducers and accessories.

Le dimensioni degli alberi sono a pagina 0.25

I pesi indicati nelle tabelle sono approssimativi. Ci riserviamo il diritto di modificare dimensioni senza cambiare la denominazione del reductor. E' disponibile un CD per sistema CAD con i disegni a scala dei nostri riduttori e accessori.

Dimensões de os eixos de entrada na pág. 0.25

Os pesos indicados nas tabelas são aproximados. Nos reservamos o direito de modificar dimensões sem alterar o número do tipo do reductor. Temos a sua disposição um CD para sistema CAD com os desenhos dimensionais em escala dos nossos reductores e acessórios.

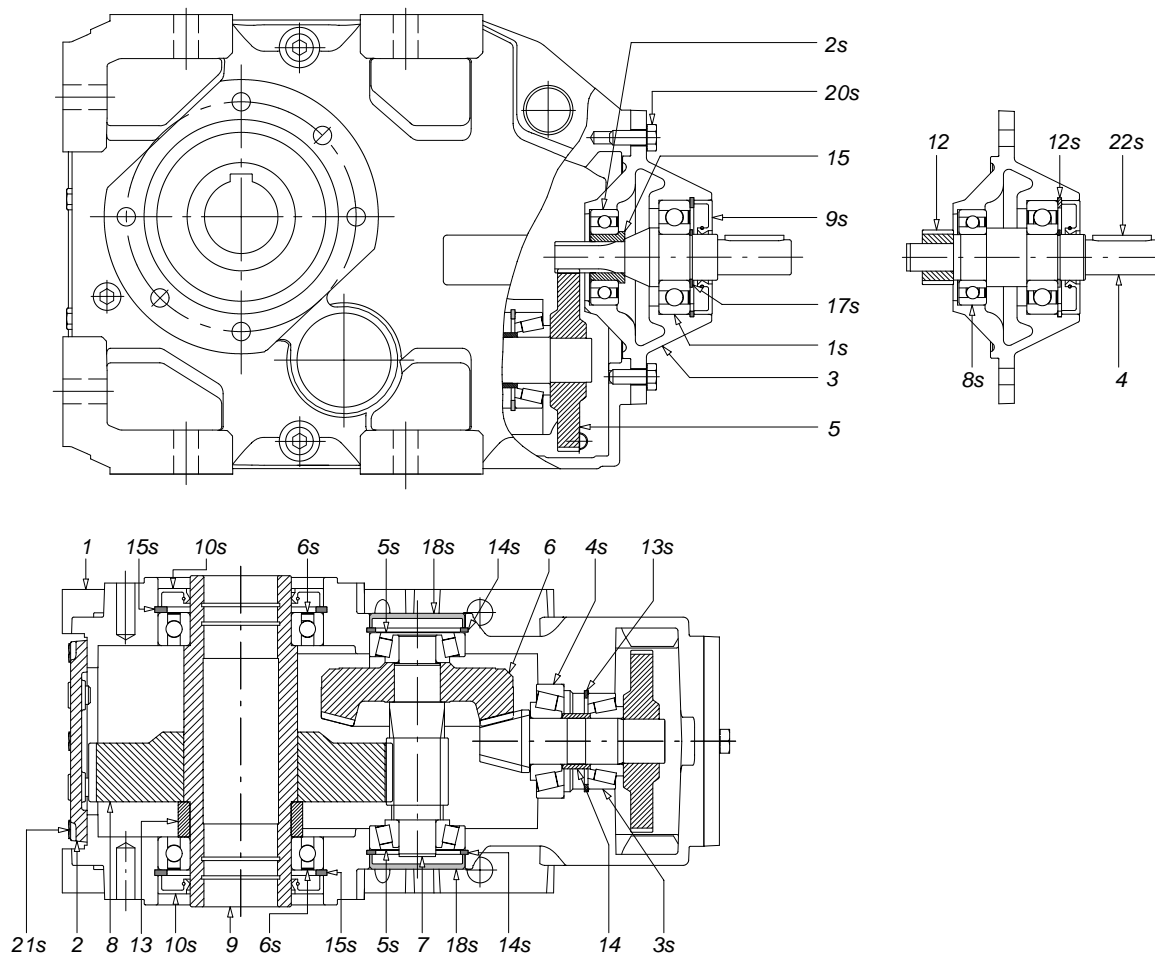
STRATEGY - RIDUTTORI ORTOGONALI KX

**DESPIECE
ORIENTATIVO**

**THE SPARE PARTS LIST
IS FOR GUIDANCE ONLY**

**DISPOSIZIONE
COMPONENTI**

**SOBRESSAIENTES,
SOMENTE ORIENTATIVO**



Ref. Ref. Ref.			Denominación Denominazione Denominação	
1	Caja	Box	Carcassa	Carcaça
2	Tapa registro	Manhole cover	Coperchio registro	Tampa
3	Tapa entrada	Input cover	Coperchio ingresso	Tampa de entrada
4	Eje entrada	Input shaft	Albero in ingresso	Eixo de entrada
5	Rueda GV	GV Wheel	Ruota GV	Roda GV
6	Grupo cónico	Conical unit	Gruppo conico	Grupo cônico
7	Engrane PV	PV gear	Ingranaggio PV	Engrenagem PV
8	Rueda PV	PV Wheel	Ruota PV	Roda PV
9	Eje salida hueco	Hollow output shaft	Albero in uscita cavo	Eixo de saída oco
12	Engrane GV	GV gear	Ingranaggio GV	Engrenagem GV
13	Separador interior	Inside separator	Distanziale	Separador interno
14	Separador interior	Inside separator	Distanziale	Separador interno
15	Anillo con valona	Flange ring	Anello sepatatore	Bucha espaçadora
1s	Rodamiento	Bearing	Cuscinetto	Rolamento
2s	Rodamiento	Bearing	Cuscinetto	Rolamento
3s	Rodamiento	Bearing	Cuscinetto	Rolamento

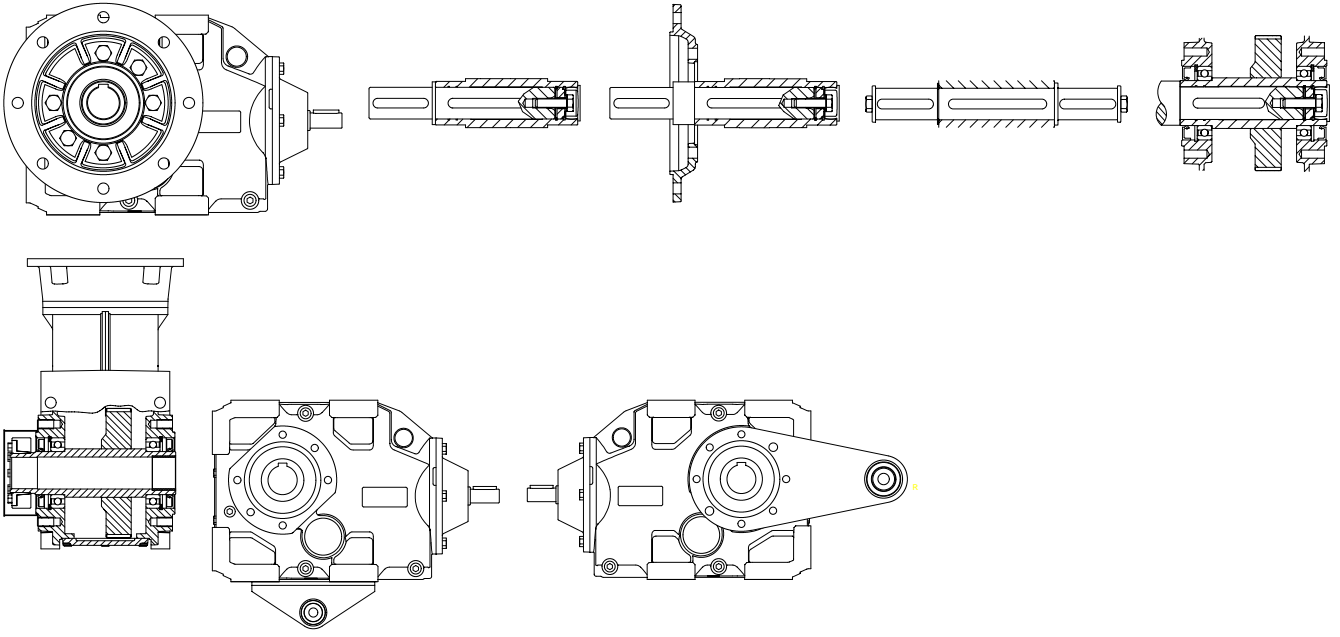
Ref. Ref. Ref.			Denominación Denominazione Denominação	
4s	Rodamiento	Bearing	Cuscinetto	Rolamento
5s	Rodamiento	Bearing	Cuscinetto	Rolamento
6s	Rodamiento	Bearing	Cuscinetto	Rolamento
8s	Rodamiento	Bearing	Cuscinetto	Rolamento
9s	Retén	Oil seal	Anello di tenuta	Retentor
10s	Retén	Oil seal	Anello di tenuta	Retentor
12s	Anillo elástico	Elastic ring	Anello elastico	Anel elástico
13s	Anillo elástico	Elastic ring	Anello elastico	Anel elástico
14s	Anillo elástico	Elastic ring	Anello elastico	Anel elástico
15s	Anillo elástico	Elastic ring	Anello elastico	Anel elástico
17s	Anillo elástico	Elastic ring	Anello elastico	Anel elástico
18s	Tapón ciego	Bull plug	Tappo cieco	Tampão cego
20s	Tornillo exagonal	Hexagonal screw	Vite esagonale	Parafuso sextavado
21s	Tornillo exagonal	Hexagonal screw	Vite esagonale	Parafuso sextavado
22s	Lengueta de ajuste	Adjusted key	Linguetta	Chaveta

**PARA RECAMBIOS CONSULTAR
EL LIBRO DE INSTRUCCIONES
QUE SE SUMINISTRA CON EL
REDUCTOR**

**FOR SPARE PARTS PLEASE
REFER TO THE INSTRUCTION
MANUAL, WHICH IS SUPPLIED
WITH THE GEAR UNIT**

**PER I RICAMBI
CONSULTARE IL LIBRETTO
DELLE ISTRUZIONI FORNITO
CON IL RIDUTTORE**

**PARA SUBSTITUIÇÕES,
CONSULTAR O MÃNUAL DE
INSTRUÇÕES QUE
ACOMPANHA O REDUTOR**



SUPLEMENTOS

SUPPLEMENTS

SUPPLEMENTI

SUPLEMENTOS

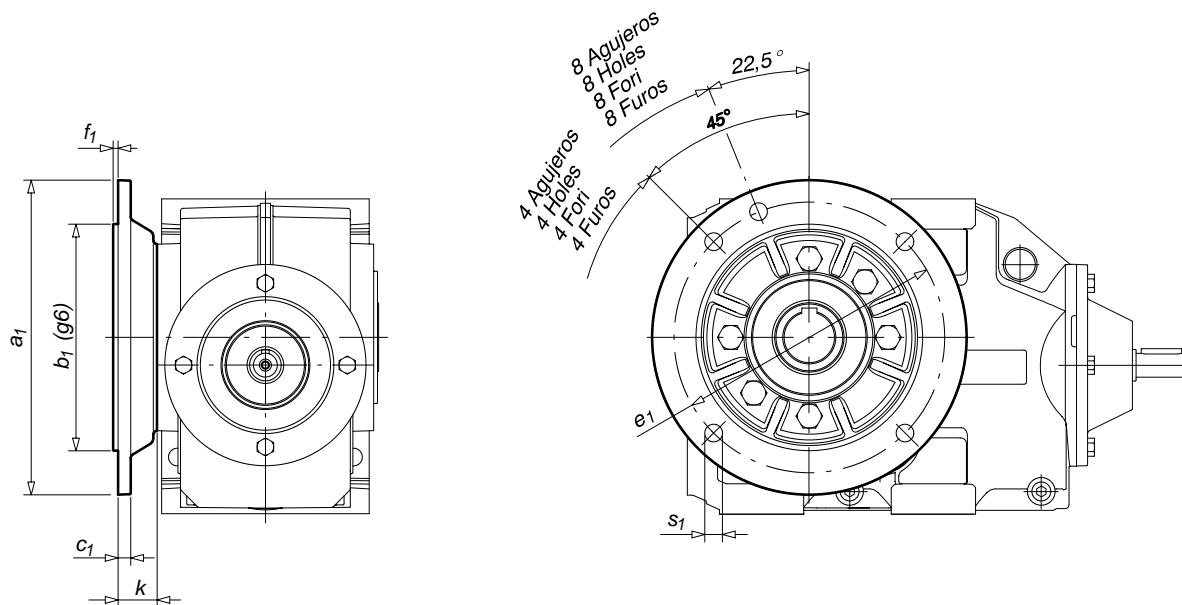
STRATEGY - RIDUTTORI ORTOGONALI KX

**SUPLEMENTO
BRIDA SALIDA "KX"
DIMENSIONES (mm)**

**OUTPUT FLANGE
SUPPLEMENT "KX"
DIMENSIONS (mm)**

**SUPPLEMENTO FLANGIA
LATERALE IN USCITA "KX"
DIMENSIONI (mm)**

**SUPLEMENTO FLANGE
DE SAÍDA "KX"
DIMENSÕES (mm)**



Tipo Type Tipo Tipo	Código Ref. Codice Código	a_1	b_1	c_1	e_1	f_1	k	s_1	Nº agujeros Nr. holes Nº fori Nº furos
303	3077100250	160	110	13	130	3.5	32.5	9	4
353 403	3077010260	250	180	10	215	4	31	14	4
453 503	3077110270	300	230	14	265	4	44.5	14	4
553 603	3077030280	350	250	16	300	5	45	18	4
653 703	3077040290	450	350	20	400	5	64	18	8
803 903	3077060310	450	350	20	400	5	59	18	8

STRATEGY - RIDUTTORI ORTOGONALI KX

**SUPLEMENTO EJE
SALIDA "KX"
DIMENSIONES (mm)**

**OUTPUT SHAFT
SUPPLEMENT "KX"
DIMENSIONS (mm)**

**SUPPLEMENTO
ALBERI USCITA "KX"
DIMENSIONI (mm)**

**SUPLEMENTO EIXO
DE SAÍDA "KX"
DIMENSÕES (mm)**

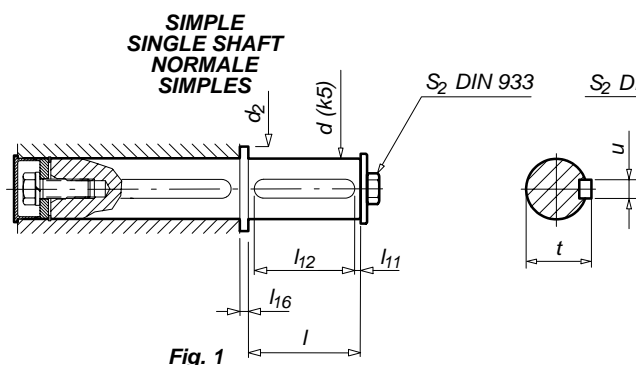


Fig. 1

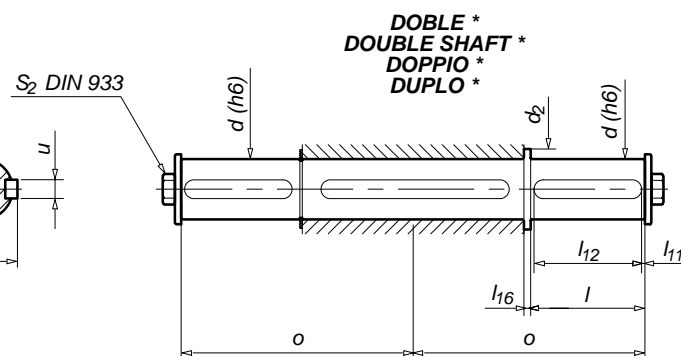


Fig. 3

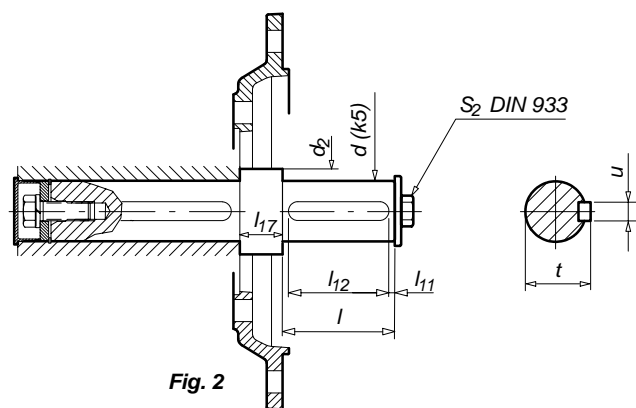


Fig. 2

* No apto para soportar cargas axiales elevadas (consultar)
 * Unable to support high axial loads (to consult)
 * Non adatto per supportare alti carichi assiali (consultare)
 * Não apto a suportar cargas axiais elevadas (consultar)

Tipo Type Tipo Tipo	Código Ref. Codice Código	d ₂	l ₁₁	l ₁₂	l ₁₆	l ₁₇	s ₂	o	d	l	t	u
303	Fig. 1 (3077100000) Fig. 2 (3077100001) Fig. 3 (3077100120)	35	5	50	4	29	M10	124	30	60	33	8
353	Fig. 1 (3077010012) Fig. 2 (3077010013) Fig. 3 (3077010131)	40	5	70	4	27	M16	174	35	80	38	10
403	Fig. 1 (3077010010) Fig. 2 (3077010011) Fig. 3 (3077010130)	45	5	70	4	27	M16	174	40	80	43	12
453	Fig. 1 (3077110022) Fig. 2 (3077110023) Fig. 3 (3077110141)	50	5	90	7	40	M16	212	45	100	48.5	14
503	Fig. 1 (3077110020) Fig. 2 (3077110021) Fig. 3 (3077110140)	55	5	90	7	40	M16	212	50	100	53.5	14
553	Fig. 1 (3077030032) Fig. 2 (3077030033) Fig. 3 (3077030151)	60	5	110	7	39	M20	247	55	120	59	16
603	Fig. 1 (3077030030) Fig. 2 (3077030031) Fig. 3 (3077030150)	65	5	110	7	39	M20	247	60	120	64	18
653	Fig. 1 (3077040042) Fig. 2 (3077040043) Fig. 3 (3077040161)	70	7.5	125	10	57	M20	300	65	140	69	18
703	Fig. 1 (3077040040) Fig. 2 (3077040041) Fig. 3 (3077040160)	75	7.5	125	10	57	M20	300	70	140	74.5	20
803	Fig. 1 (3077060062) Fig. 2 (3077060063) Fig. 3 (3077060171)	85	7.5	155	10	51	M20	355	80	170	85	22
903	Fig. 1 (3077060060) Fig. 2 (3077060061) Fig. 3 (3077060170)	95	7.5	155	10	51	M24	355	90	170	95	25

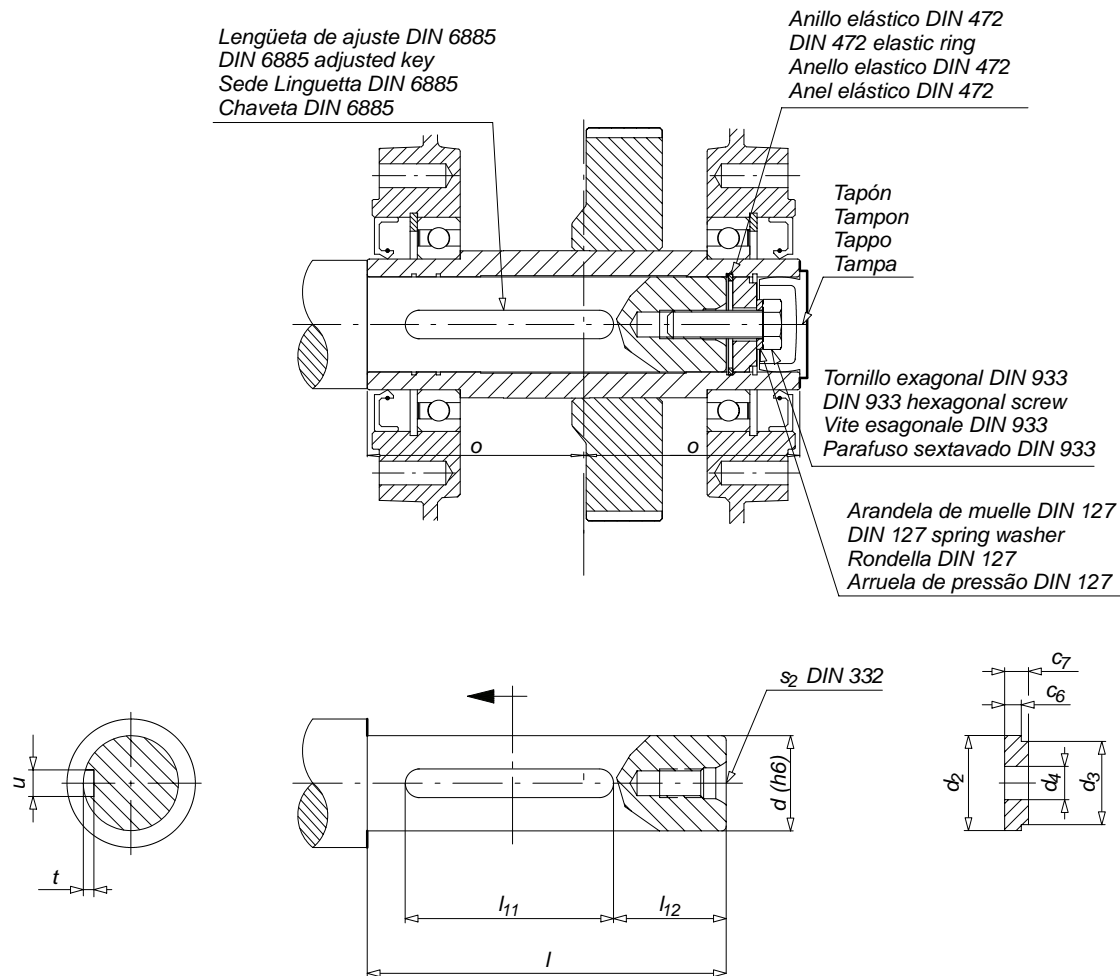
STRATEGY - RIDUTTORI ORTOGONALI KX

**EJE DE SALIDA CON
CHAVETERO "KX"
DIMENSIONES (mm)**

**HOLLOW-SHAFT DESIGN
WITH KEY-WAY "KX"
DIMENSIONS (mm)**

**SEDE LINGUETTA
PERNO MACHINA "KX"
DIMENSIONI (mm)**

**EIXO DE SAÍDA COM
CHAVETA "KX"
DIMENSÕES (mm)**



Tipo Type Tipo Tipo	c_6	c_7	d	d_2	d_3	d_4	l	l_{11}	l_{12}	o	s_2	t	u	Lengüeta de ajuste Adjusted key Sede Linguetta Chaveta	Anillo elástico Elastic ring Anello elastico Anel elástico	Tapón Tampon Tappo Tampa	Tornillo exagonal Hexagonal screw Vite esagonale Parafuso sextavado	Arandela de muelle Spring washer Rondella Arruela de pressão
303	6	10	30	30	26	11	100	60	32	60	DR M10	4	8	A 8x7 x60	30x1.2	Ø 31	M 10X35	B 10
353	7	10	35	35	31	14	151	80	61	90	DR M12	5	10	A 10x8x80	35x1.5	Ø 35.5	M 12X35	B 12
403	7	10	40	40	35	14	151	80	61	90	DR M12	5	12	A 12x8x80	40x1.75	Ø 40.7	M 12X35	B 12
453	7	10	45	45	40	17	182	100	72	105	DR M16	5.5	14	A 14x9x100	45x1.75	Ø 46	M 16X40	B 16
503	7	10	50	50	44	17	182	100	72	105	DR M16	5.5	14	A 14x9x100	50x2	Ø 51.5	M 16X40	B 16
553	8	12	55	55	42	23	205.5	125	71	120	DR M20	6	16	A 16x10x125	55x2	Ø 55.8	M 20X60	B 20
603	8	12	60	60	46	23	205.5	125	71	120	DR M20	7	18	A 18x11x125	60x2	Ø 61	M 20X60	B 20
653	10	14	65	65	50	23	262	140	107	150	DR M20	7	18	A 18x11x140	65x2.5	Ø 66	M 20x60	B 20
703	10	14	70	70	54	23	262	140	107	150	DR M20	7.5	20	A 20x12x140	70x2.5	Ø 71	M 20x60	B 20
803	12	16	80	80	62	23	303	180	110	175	DR M20	9	22	A 22x14x180	80x2.5	Ø 82	M20x60	B 20
903	12	16	90	90	72	27	303	180	110	175	DR M20	9	25	A 25x14x180	90x3	Ø 93	M20x70	B 24

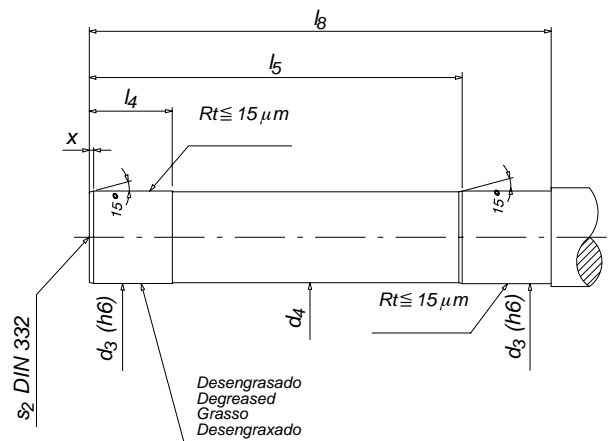
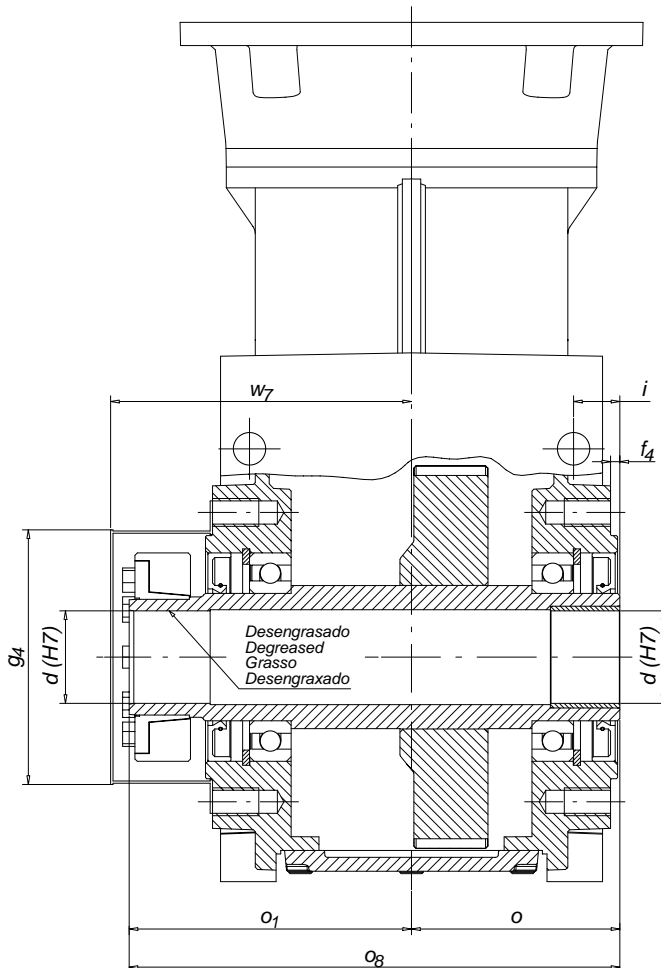
STRATEGY - RIDUTTORI ORTOGONALI KX

**EJE DE SALIDA PARA
DISCOS DE
CONTRACCIÓN "KX"
DIMENSIONES (mm)**

**HOLLOW-SHAFT
DESIGN FOR SHRINK
DISC "KX"
DIMENSIONS (mm)**

**ALBERO DI USCITA
CON CALETTATORE
"KX"
DIMENSIONI (mm)**

**EIXO DE SAÍDA
PARA DISCOS DE
CONTRAÇÃO "KX"
DIMENSÕES (mm)**



Tipo Type Tipo Tipo	* M_n ($f_b = 1$)		Código disco contracción Shrink disc ref. Codice Calettatore Código disco redução	d	d ₃	d ₄	f ₄	g ₄	i	l ₄	l ₅	l ₈	o	o ₁	o ₈	s ₂	w ₇	x
	[Nm]																	
	Discos contracción	Tipo disco contracción																
	Shrink disc	Shrink disc type																
	Calettatore	Tipo Calettatore																
Discos contração	Tipo disco contração																	
403	1850	RLK608-50	2120990650	40	40	39	4	110	20	40	176	211	90	120	210	DR M16	130	2
503	2600	RLK608-62	2120990660	50	50	49	4.5	130	22.5	45	209	244	105	138	243	DR M16	147	2
603	6900	RLK608-75	2120990670	65	65	64	6	160	30	50	228	283	120	161	281	DR M20	170	3
703	9200	RLK608-90	2120990680	75	75	74	7	185	30	60	282	347	150	195	345	DR M20	206	3
903	19800	RLK608-120	2120990860	95	95	94	8	214	40	70	342	407	175	230	405	DR M24	245	3

STRATEGY - RIDUTTORI ORTOGONALI KX

BRAZO DE REACCIÓN "KX"
DIMENSIONES (mm)

TORQUE ARM "KX"
DIMENSIONS (mm)

BRACCIO DI REAZIONE "KX"
DIMENSIONI (mm)

BRAÇO DE REAÇÃO "KX"
DIMENSÕES (mm)

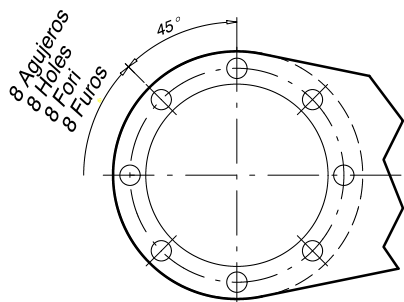


Fig. 1

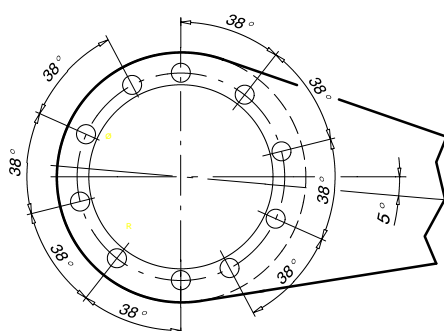


Fig. 2

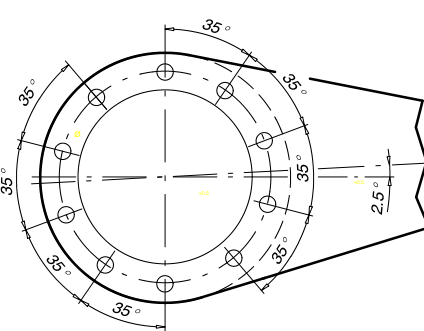
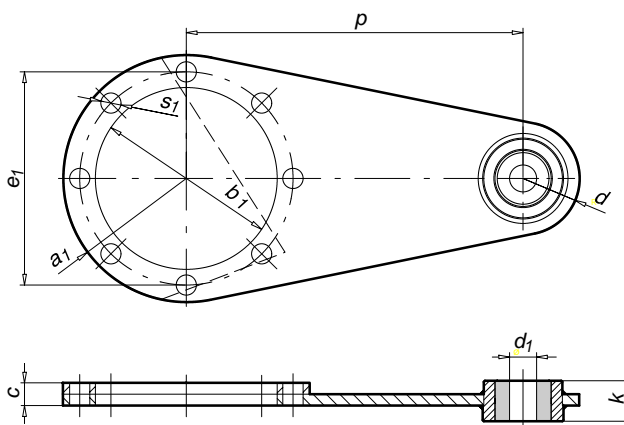
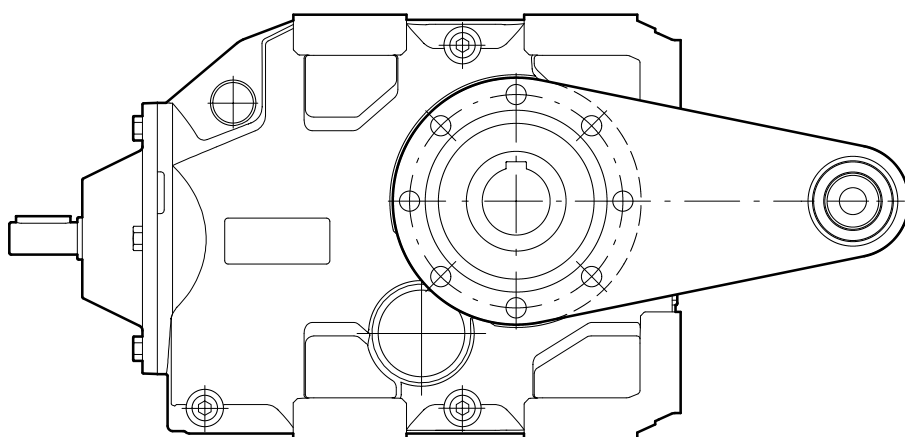


Fig. 3



Tipo Type Tipo Tipo	Código Ref. Codice Código	a_1	b_1	c	d	d_1	e_1	k	p	s_1	Fig.
303	3077100751	55	81	10	25	12	95	18	150	9	1
353 403	3077010762	74	106	10	25	12	125	18	195	13	1
453 503	3077110772	85	126	10	32	16	142	25	250	13	2
553 603	3077030782	107.5	156	12	45	25	178	30	300	17	1
653 703	3077040793	130	181	12	45	25	220	30	350	17	3
803 903	3077060813	152	211	12	50	25	260	30	450	22	3

4.4.6

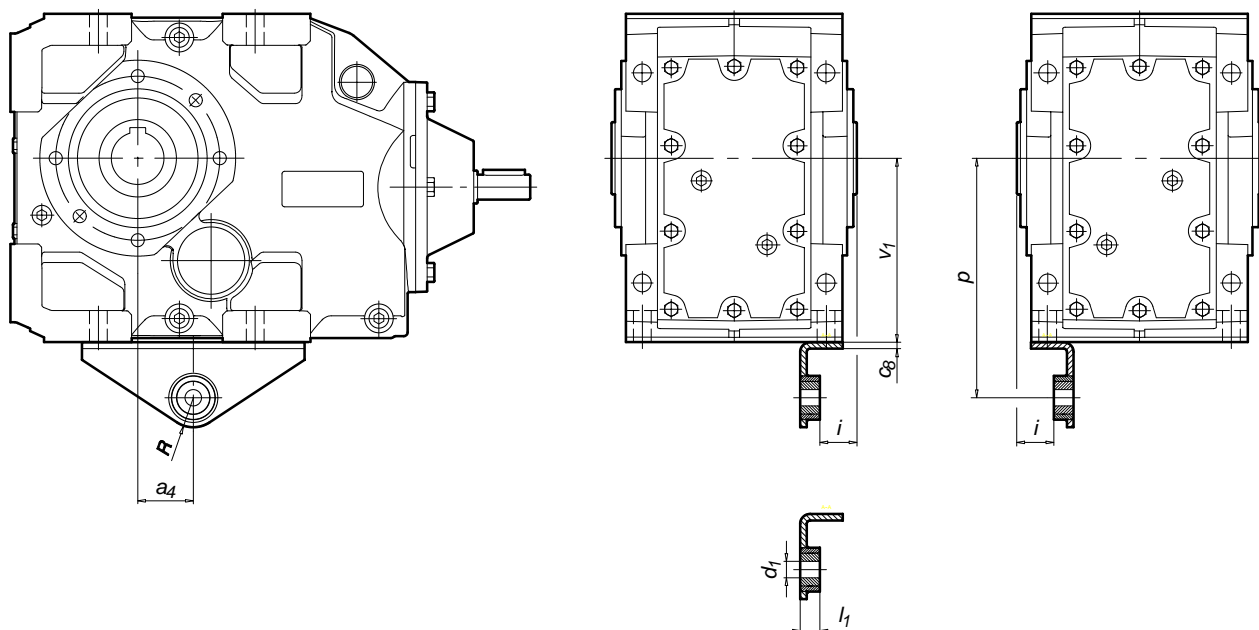
STRATEGY - RIDUTTORI ORTOGONALI KX

BRAZO DE REACCIÓN EN ESCUADRA "KX" DIMENSIONES (mm)

THE REACTION ARM IS FITTED AT 90 DEGREES TO THE GEARBOX CENTERLINE "KX" DIMENSIONS (mm)

BRACCIO DI REAZIONE SQUADRATO "KX" DIMENSIONI (mm)

BRAS DE REACTION EN EQUERRE « KX » DIMENSIONS (mm)



Tipo Type Tipo Tipo	Código Ref. Codice Código	a_4	c_8	i	p	R	v_1	d_1	l_1
303	3077100750	23.5	5	20	140	24	100	12	18
353 403	3077010760	45	6	25	200	29	140	16	25
453 503	3077110771	52.5	6	25	250	29	180	16	25
553 603	3077030780	60	8	30	300	45	212	25	30
653 703	3077040790	70	10	40	350	45	265	25	30
803 903	3077060810	74	16	80	450	45	315	25	30